



**Model: 14-6833-6030**

**Aircraft  
Tire/Strut Service  
Kit**

**\*\*\***

**Illustrated Parts List**

10/1999 – Rev. OR

***Tronair, Inc.***

*1740 Eber Road  
Holland, Ohio 43528-9794  
USA*

*Telephone: (419) 866-6301 • 800-426-6301*

*Fax: (419) 867-0634*

**Web Site: [www.tronair.com](http://www.tronair.com) E-mail: [mail@tronair.com](mailto:mail@tronair.com)**

**Model: 14-6833-6030  
Aircraft Tire/Strut Service Kit**

This product can not be modified without the written approval of Tronair, Inc. Any modifications done without written approval voids all warranties and releases Tronair, Inc., its suppliers, distributors, employees, or financial institutions from any liability from consequences that may occur.

## Parts List

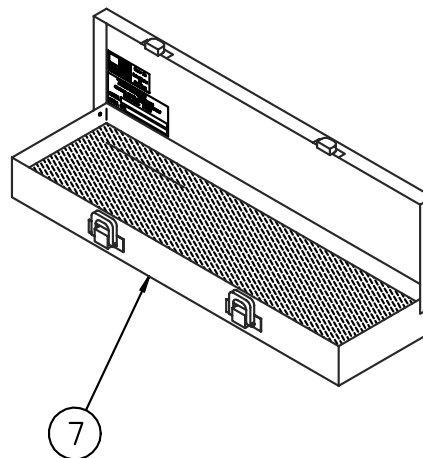
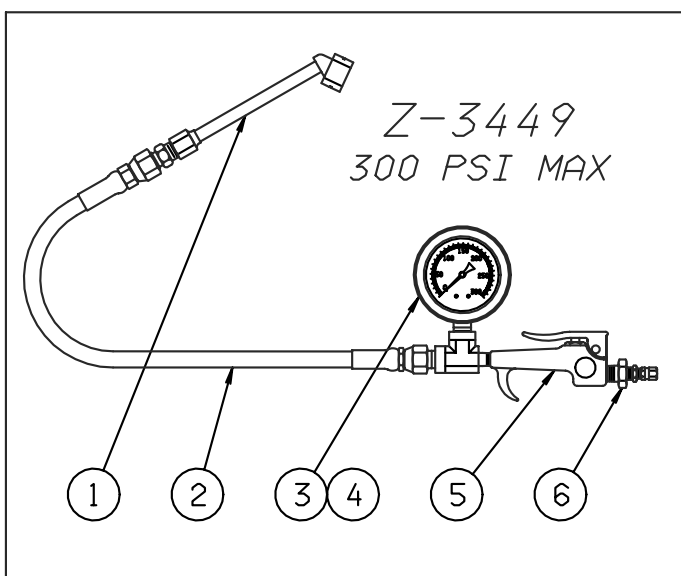
When ordering Replacement Parts/Kits, please specify Model & Serial Number of your product.

### WARNING!



1. The maximum operating pressure for the Z-3449 Assembly is 300 psi.
2. The gauge assembly is NOT Skydrol resistant.

**GAUGE CALIBRATION:** The pressure gauge is to be calibrated annually or as required.



ITEM	PART NUMBER	DESCRIPTION	QTY
1.....	H-2156 .....	Chuck, Dual Foot Air Inflator .....	1
2.....	TF-1043-15*16.0 .....	Hose, 16 inch long.....	1
3.....	HC-1784.....	Gauge, 300 psi Pressure ( <i>Calibrated</i> ) .....	1
4.....	H-2153 .....	Boot, Gauge .....	1
5.....	H-2158 .....	Gun, Lever-Type Air Blow .....	1
6.....	PC-1073.....	Valve, High Pressure Strut .....	1
7.....	Z-3830-03 .....	Assembly, Replacement Box .....	1
Not Shown.....	H-1957-02 .....	Extension, Tire Valve .....	1

**Model: 14-6833-6030  
Aircraft Tire/Strut Service Kit**

# Parts List

When ordering Replacement Parts/Kits, please specify Model & Serial Number of your product.

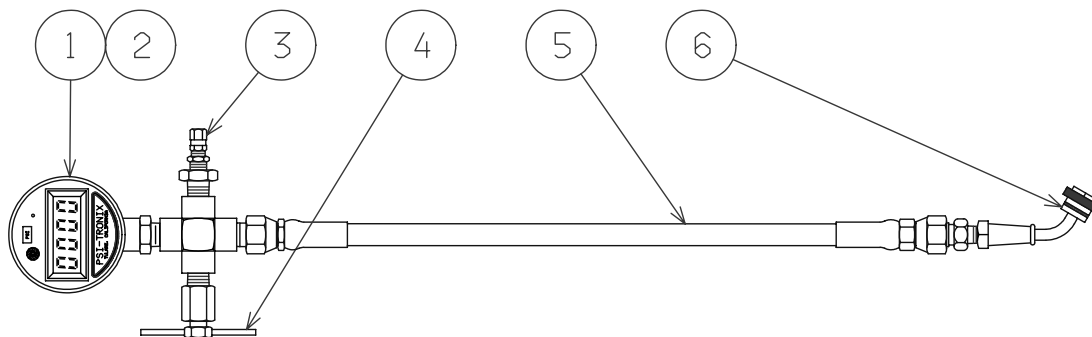
## WARNING!



1. The maximum operating pressure for the Z-4644 Assembly is 3,000 psi.
2. The gauge assembly is NOT Skydrol resistant.

**GAUGE CALIBRATION:** The pressure gauge is to be calibrated annually or as required.

Z-4644  
3000 PSI MAX



ITEM	PART NUMBER	DESCRIPTION	QTY
1	H-2363	Gauge, 3,000 psi Digital (Calibrated)	1
2	N/A (Purchase Locally)	Battery, 9 Volt Alkaline Transistor	1
3	PC-1073	Valve, High Pressure Strut	1
4	Z-3828	Assembly, Air Bleed Valve	1
5	TF-1043-15*16.0	Hose, 16 inch long	1
6	PC-1067	Coupling, High Pressure Hose	1



## Instrument Certification Notice

The gauge Certificates of Calibration supplied for the gauge(s) on this unit contain the calibration data for the actual instrument calibrated, along with the calibration date of the **STANDARD** used to perform the calibration check.

The due date for re-calibration of the instrument should be based upon the date the instrument was placed in service in your facility. Re-calibration should be done on a periodic basis as dictated by the end user's quality system or other overriding requirements.

Note that Tronair, Inc. does not supply certificates of calibration on flow meters or pyrometers unless requested at the time of placed order. These instruments are considered reference indicators only and are not critical to the test(s) being performed on the aircraft.

### ***Tronair, Inc.***

*1740 Eber Road*

*Holland, Ohio 43528-9794*

*Phone: (419) 866-6301 ! 800-426-6301*

*Fax: (419) 867-0634*

Web Site: [www.tronair.com](http://www.tronair.com) E-mail Address: [mail@tronair.com](mailto:mail@tronair.com)