



Model: 01-0591-0000
Lear Jet Multi-Head

Illustrated Parts List
With
Towbar Usage Instructions

08/1997 – Rev. OR

Tronair, Inc.

*1740 Eber Road
Holland, Ohio 43528-9794
USA*

Telephone: (419) 866-6301 • 800-426-6301

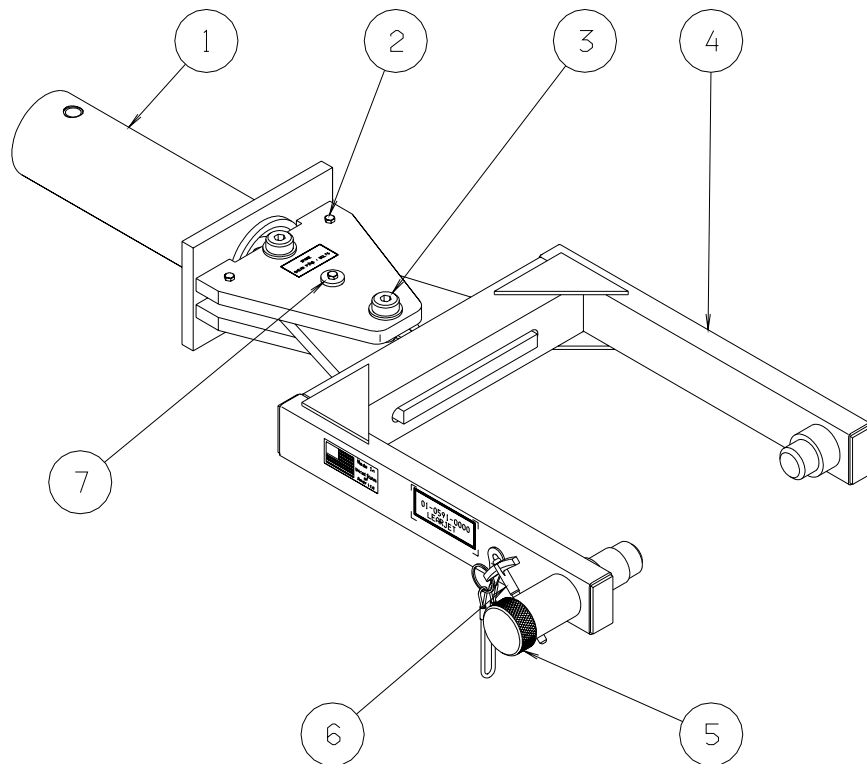
Fax: (419) 867-0634

Web Site: www.tronair.com E-mail: mail@tronair.com

Model: 01-0591-0000
Lear Jet Multi-Head

Parts List

When ordering Replacement Parts/Kits, please specify Model and Serial Number of your Unit.



ITEM	PART NUMBER	DESCRIPTION	QTY
1.....	Z-3819-01	Machining, Shear Plate.....	1
4.....	Z-3818-01	Replacement, Head.....	1
2	K-1433	Kit, Shear Bolt; consists of:	
.....	G-1110-3-22A	Bolt, AN Steel, #10-32	1
.....	G-1202-1035	Stopnut, #10-32 Elastic.....	1
3	K-2658	Kit, Shoulder Bolt Replacement; consists of:	
.....	G-1202-1090	Stopnut, 1/2-13 Elastic.....	1
.....	G-1155-109220	Screw, 5/8" diameter Socket Head Shoulder.....	1
.....	G-1250-1100N.....	Flatwasher, 5/8 Narrow	2
5	K-2777	Kit, Sliding Pin Replacement; consists of:	
.....	R-1790	Pin, Sliding	1
.....	G-1300-19040	Pin, 3/16" diameter x 1/2" long	1
6	K-1308	Kit, Ball-Lok Pin Replacement; consists of:	
.....	G-1310-0415	Pin, 1/4" diameter x 1.5" long.....	1
.....	G-1351-04	Rivet, 1/8" diameter.....	1
.....	H-1026*07.0.....	Assembly, Lanyard.....	1
7	K-1608	Kit, Bushing Replacement; consists of:	
.....	H-1725-10	Bushing, Headless	1
.....	H-1724-02	Bushing, Head Press Fit.....	2