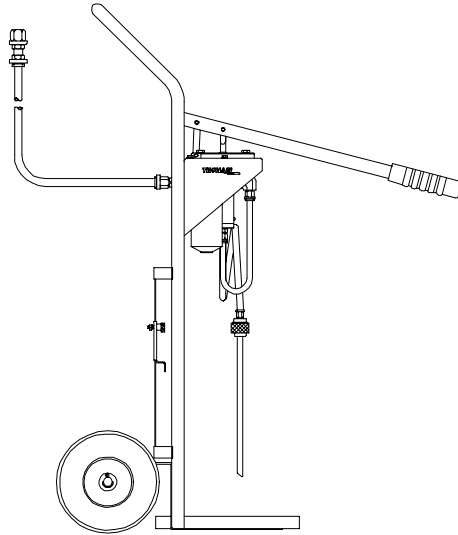




## Operation & Service Manual



### **Model: 06-5021 Series Reservoir Servicing Unit**

04/1999 – Rev. 07

**Includes Illustrated Parts List**

#### ***Tronair, Inc.***

*1740 Eber Road  
Holland, Ohio 43528-9794  
USA*

*Telephone: (419) 866-6301 • 800-426-6301*

*Fax: (419) 867-0634*

**Web Site: [www.tronair.com](http://www.tronair.com) E-mail: [mail@tronair.com](mailto:mail@tronair.com)**



**Model: 06-5021 Series  
Reservoir Servicing Unit**

**TABLE OF CONTENTS**

**PAGE**

1.0	General Description.....	1
2.0	Specifications .....	1
3.0	Features .....	1
4.0	Preparation For Use.....	1
5.0	Operation .....	2
6.0	Maintenance .....	2
6.1	Tires.....	2
6.2	Filters.....	2
6.3	Service.....	2
	Parts List Index.....	2



**Model: 06-5021 Series  
Reservoir Servicing Unit**

**1.0 GENERAL DESCRIPTION**

The Tronair Reservoir Service Unit is a compact unit primarily designed to provide a source of clean fluid for filling reservoirs. It is not intended for performing any pressure testing tasks. A unique feature is that the unit pumps fluid directly from standard 5 gallon containers.

**2.0 SPECIFICATIONS**

<u>Model Number</u>	<u>Fluid</u>	<u>Maximum Pressure</u>	<u>Filter (Micron)</u>
06-5021-1500	MIL-H-5606/83282	75 PSI	3 & 15
06-5021-3600	Skydrol/Hyjet	75 PSI	3 & 15
DIMENSIONS:	20 inches Wide x 22 inches Long x 44 inches High		
WEIGHT:	45 pounds		
PUMP DISPLACEMENT:	9 cubic inch/stroke		

**3.0 FEATURES**

- X 15 foot hose
- X Pickup tube fits all standard 5 gallon can
- X 3 micron main filter with 15 micron inline filter at end of hose on hydraulic fluid units

**4.0 PREPARATION FOR USE**

The unit is shipped fully assembled, and only the following steps are required to make it operational:

1. Set 5 gallon can of fluid inside the ring and lock in place with slide lock.

*NOTE: On 06-5021-1500 units only, apply appropriate fluid label on top of hand pump platform.*



**CAUTION!**

**Only use the type of fluid for which the unit is designed. Using other fluids will cause contamination and seal deterioration.**

2. Remove the cap and seal from the container, pull out plastic spout, and insert pickup tube into the neck. Screw down the fitting to form a snug fit.
3. Operate hand pump several times to fill line and purge air. Install coupling at hose end if applicable.

## Model: 06-5021 Series Reservoir Servicing Unit

### 5.0 OPERATION

#### To Use the Unit:

1. Make sure pickup tube is completely tightened down.
2. Securely attach hose to aircraft.
3. Operate pump handle at a slow to moderate pace with even pressure.

**NOTE:** *It is not necessary to operate pump rapidly. The pump moves a large volume of oil per stroke and will fill a reservoir much faster than standard pumps.*

*A slow movement of the pump handle with a steady pressure works best.*

#### When Service Has Been Completed:

1. Disconnect hose from aircraft.
2. Replace protective cap on hose end to prevent dirt ingestion.

### 6.0 MAINTENANCE

#### 6.1 TIRES

Maintain 45-50 PSI tire pressure.

#### 6.2 FILTERS

Both filters are of a non-bypass design. This means that, if either filter becomes clogged, no fluid will pass to the aircraft **and** a high handle force will result. If this happens, service the filters. **DO NOT** force the pump handle as damage to unit components could result.

#### 6.3 SERVICE

The 3 micron main filter is of a throwaway design and is **not cleanable**. The 15 micron hose end filter may be cleaned by removing and back flushing with clean hydraulic fluid or a neutral fluid. **DO NOT use chlorinated solvents** for this purpose. If desired, this filter may be replaced.

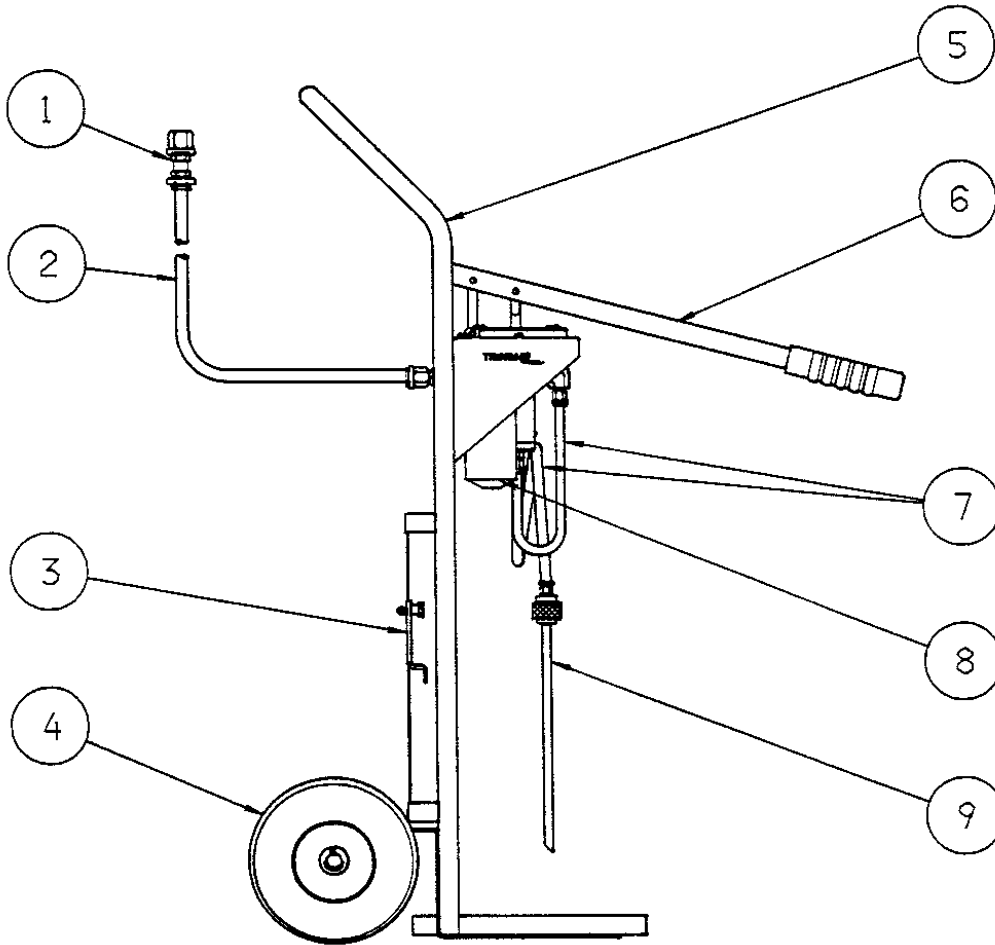
## Parts List Index

Description	Page
Reservoir Servicing Unit .....	3
Filter Assembly .....	4
Hand Pump .....	5 - 6

**Model: 06-5021 Series  
Reservoir Servicing Unit**

**Parts List**

ITEM	FLUID	PART NUMBER	DESCRIPTION	QTY
1	N/A	HC-1484	Filter, Inline	1
2	Mineral Base	K-1771	Kit, External Hoses	1
	Phosphate Ester	K-1764	Kit, External Hose	1
3	N/A	K-1780	Kit, Hold Down Assembly	1
4	N/A	K-2082	Kit, Wheel	2
5	N/A	Z-2033-11	Weldment, Hand Truck	1
6	Mineral Base	Z-2029	Pump, Hand	1
	Phosphate Ester	Z-2030	Hand Pump	1
7	Mineral Base	K-1773	Kit, Internal Hose	1
	Phosphate Ester	K-1769	Kit, Internal Hose	1
8	Mineral Base	HC-1481	Assembly, Filter	1
	Phosphate Ester	HC-1480	Assembly, Filter	1
9	N/A	Z-2031	Assembly, Pickup Tube	1
Not Shown	N/A	N-2052-06	Expander, Tube	1

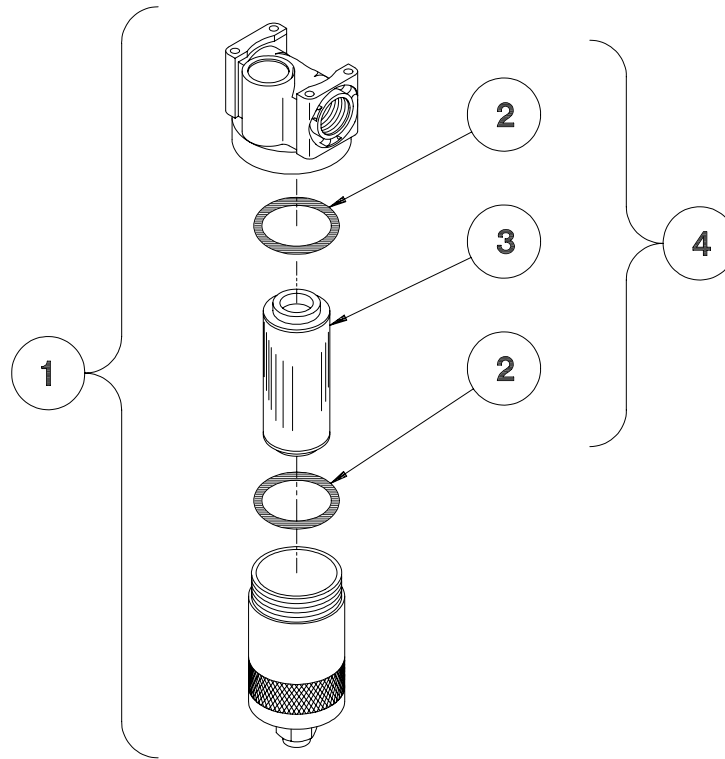


**TRONAIR**

04/1999 - Rev. 07

**Model: 06-5021 Series  
Reservoir Servicing Unit**

**Filter Assembly**



<b>ITEM</b>	<b>FLUID</b>	<b>PART NUMBER</b>	<b>DESCRIPTION</b>	<b>QTY</b>
1	Mineral Base	HC-1481	Assembly, Filter	1
	Phosphate Ester	HC-1480	Assembly, Filter	1
3	Mineral Base	HC-1482	Element, Filter	1
	Phosphate Ester	HC-1483	Element, Filter	1

**FILTER REPLACEMENT PARTS**

2	Mineral Base	HC-2000-142	O-Ring, Series 2 (BUNA)	2
	Phosphate Ester	HC-2006-142	O-Ring, Series 2 (EPR)	2
4	Mineral Base	K-3098	Kit, Filter Element	1
	Phosphate Ester	K-3099	Kit, Filter Element	1

**Model: 06-5021 Series  
Reservoir Servicing Unit**

**Z-2029/Z-2030 Hand Pump**

Reference Parts List Illustration on following page.

**REPLACEMENT PARTS**

<b>ITEM</b>	<b>PART NUMBER</b>	<b>DESCRIPTION</b>	<b>QTY</b>
4	J-1786	Link, Pivot	1
7	TR-1277	Cylinder	1
8	R-1289	Piston	1
11	G-1154-103004	Screw, Button Head Socket Cap #10-24 x 1/2" long	2
12	G-1303-06070	Pin, Roll	1
13	R-1287	Cap, Valve End	1
15	N-2007-11-S	Connector, Straight Thread	1
16	R-1288	Head, Pump	1
19	R-1286	Rod, Piston	1
20	G-1203-1050	Jamnut, 1/4 -20 Elastic	1
21	G-1250-1050N	Flatwasher, 1/4 Narrow	1
24	HC-1493	Fitting, Output	1

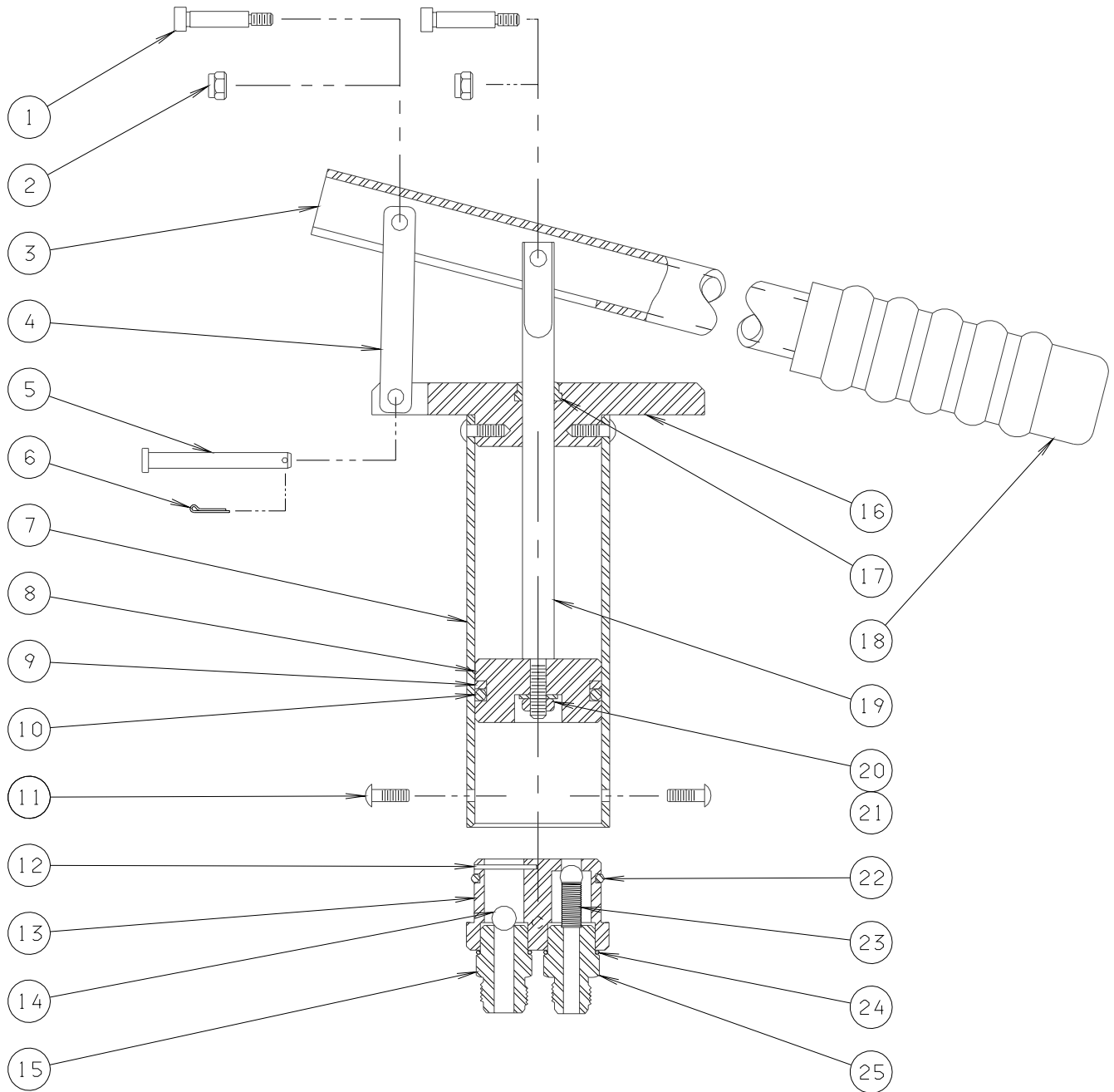
*(All other parts available in Replacement Kits only)*

**REPLACEMENT KITS**

<b>K-1752</b>	<b>Kit, Seals and Valve (Mineral Base):</b>		
<b>K-1753</b>	<b>Kit, Seals and Valve (Phosphate Ester):</b>		
- Item 9	HC-2020-326	Ring, Backup	1
- Item 10	HC-2006-133	O-Ring (Phosphate Ester)	1
	HC-2007-326	O-Ring (Mineral Base)	1
- Item 14	H-1640-11	Ball	2
- Item 17	HC-1494	Wiper, Rod	1
- Item 22	HC-2006-133	O-Ring (Phosphate Ester)	1
	HC-2000-133	O-Ring (Mineral Base)	1
- Item 23	H-1641	Spring	1
- Item 25	HC-1611	O-Ring (Phosphate Ester)	2
	HC-1493	O-Ring (Mineral Base)	2
<b>K-1763</b>	<b>Kit, Handle:</b>		
- Item 1	G-1155-103210	Screw, Socket Head Shoulder, 1/4" diameter x 1" long	2
- Item 2	G-1202-1030	Stopnut, #10-24 Elastic	2
- Item 3	TR-1278	Handle	1
- Item 5	G-1302-17	Pin, Clevis, 1/4" diameter x 2-1/4" long	1
- Item 6	G-1301-07	Pin, Cotter, 1/16" diameter x 1/2" long	1
- Item 18	H-1223	Grip, Handle	1

**Model: 06-5021 Series  
Reservoir Servicing Unit**

**Z-2029/Z-2030 Hand Pump  
Parts List Illustration**



**TRONAIR**

04/1999 - Rev. 07