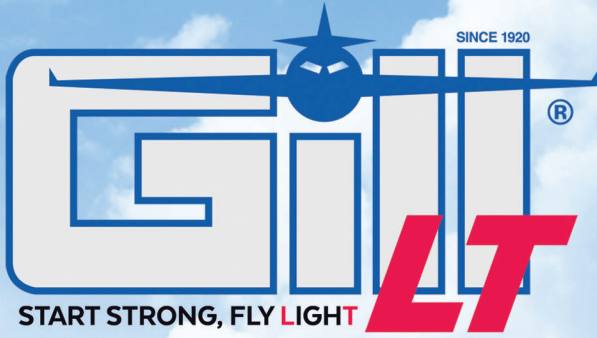


HELICOPTER

# 7641-20

## Sealed Aircraft Battery, VRLA, LT Technology, 24V, 20Ah



SPECIFICATIONS			
Model	7641-20		
Nominal Voltage, V	24		
One Hour Capacity, C1, Ah	20		
30 Minute Emergency Rate, C/2, A	35		
Weight, Lb. Maximum	44.30		
Power Performance	23°C (75°F)	-18°C (0°F)	-30°C (-22°F)
I <sub>pp</sub> , A	1430	850	630
I <sub>pr</sub> , A	920	560	410



**7641-20**  
AVAILABLE NOW,  
AT DISTRIBUTORS

### Upgrade to the Next Generation of Lead-Acid Technology!

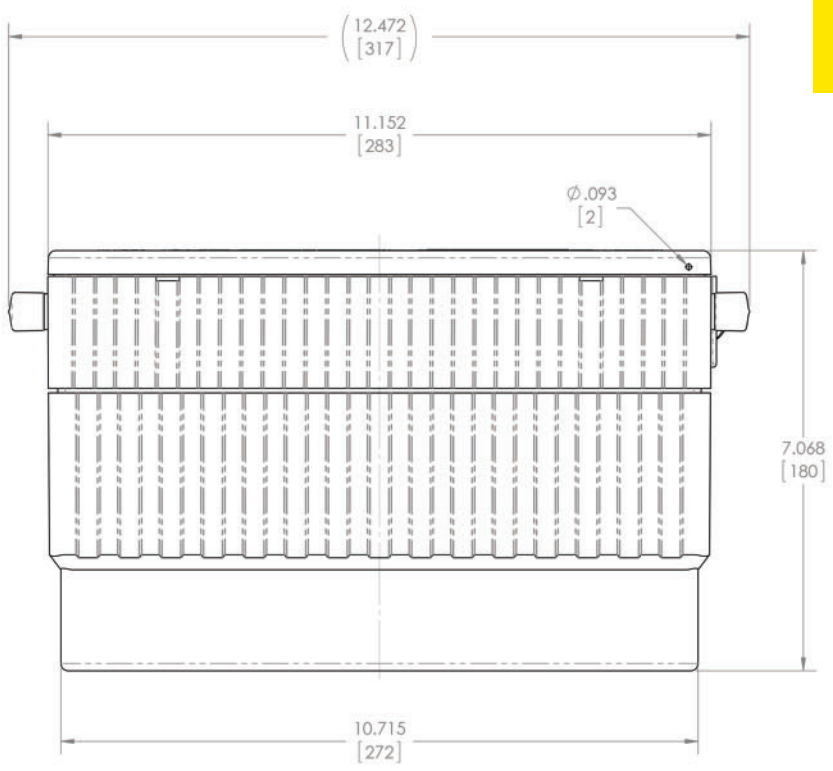
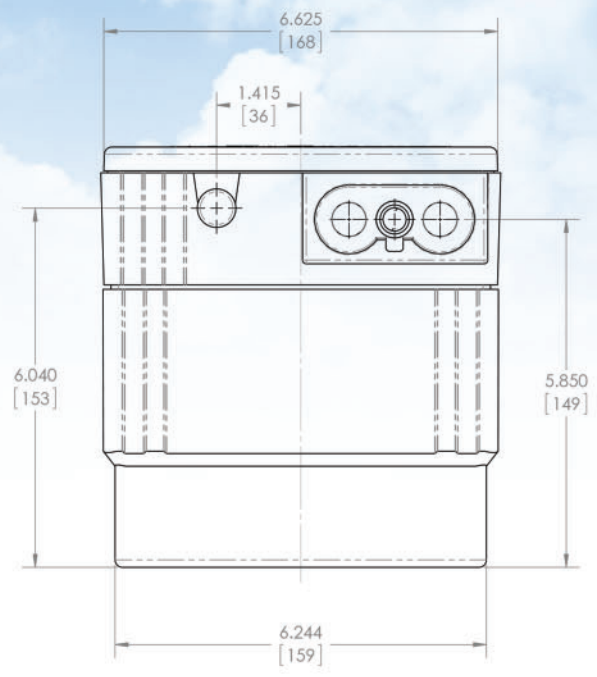
- ✓ TSO Authorized
- ✓ DO-160E Tested
- ✓ Sealed, VRLA, Non-Spillable
- ✓ 18 Month/1800 Hour Capacity Check Inspection
- ✓ 2 Year Warranty
- ✓ FAA-PMA
- ✓ EASA





**7641-20**

AVAILABLE NOW AT DISTRIBUTORS



**FAA-PMA APPROVED**

MAKE	MODEL	STC KIT
<b>Airbus</b>	AS350B, AS350B1, AS350B2, AS350B3, AS350BA, AS350C, AS350D, AS350D1	SR02493LA
<b>ATR-GIE</b>	ATR42-200, ATR42-300, ATR42-320, ATR42-500, ATR72-101, ATR72-102, ATR72-201, ATR72-202, ATR72-211, ATR72-212, ATR72-212A	ST02886NY*
<b>Bell</b>	206A, 206B, 206L, 206L-1, 206L-3, 206L-4	SR01406LA*
<b>Enstrom</b>	TH-28, 480, 480B	NR
<b>MD Helicopter Inc.</b>	369, 369A, 369D, 369E, 369F, 369FF, 369H, 369HE, 369HM, 369HS, 500N 600N	SR01427LA*
<b>Schweizer</b>	269D	NR

NR: Not Required \*EASA Validated

