

# 24 Volt Dry Charged Batteries for General Aviation Single and Twin Engine Aircraft



## G-244

- 24 Volts
- 18 AH at the 1 Hour Rate
- 30 Amps 30 Minute Emergency Capacity
- 225 CCA at 0° F for 60 Seconds
- 38.5 Lbs. (Filled)
- 1.285 SG Electrolyte, 4 Quarts



## G-245

- 24 Volts
- 18 AH at the 1 Hour Rate
- 30 Amps 30 Minute Emergency Capacity
- 225 CCA at 0° F for 60 Seconds
- 39.5 Lbs. (Filled)
- 1.285 SG Electrolyte, 4 Quarts



## G-246

- 24 Volts
- 19 AH at the 1 Hour Rate
- 30 Amps 30 Minute Emergency Capacity
- 250 CCA at 0° F for 60 Seconds
- 41.5 Lbs. (Filled)
- 1.285 SG Electrolyte, 4 Quarts

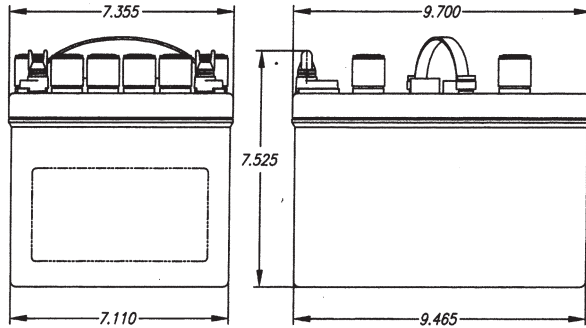


## G-247

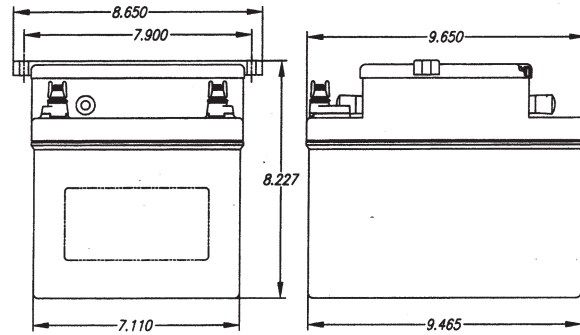
- 24 Volts
- 19 AH at the 1 Hour Rate
- 32 Amps 30 Minute Emergency Capacity
- 250 CCA at 0° F for 60 Seconds
- 42.5 Lbs. (Filled)
- 1.285 SG Electrolyte, 4 Quarts

## G-244

- Beech: A60
- Cessna: 310, 335, 340, 402, 414, 421
- Piper: PA-31

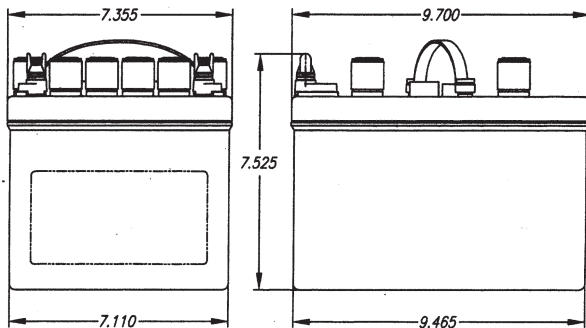


## G-245



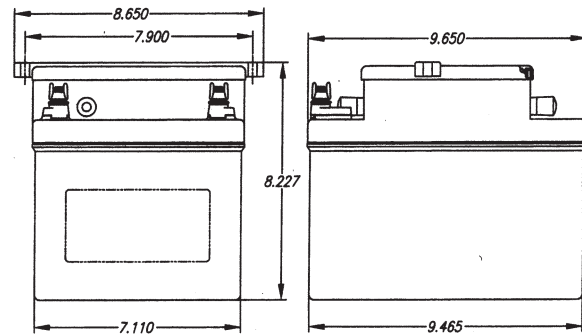
## G-246

- Air Tractor: AT-300, AT-400
- Piper: PA-23, PA-31



## G-247

- Piper: PA-31P-350



G244, G245, G246, G247

The Original Equipment Aircraft Battery



**TELEDYNE**  
 BATTERY PRODUCTS  
 A Teledyne Technologies Company

840 W. Brockton Ave., Redlands, CA 92374  
 (800) 456-0070 • (909) 793-3131  
 Fax: (909) 793-5818

[www.gillbatteries.com](http://www.gillbatteries.com)