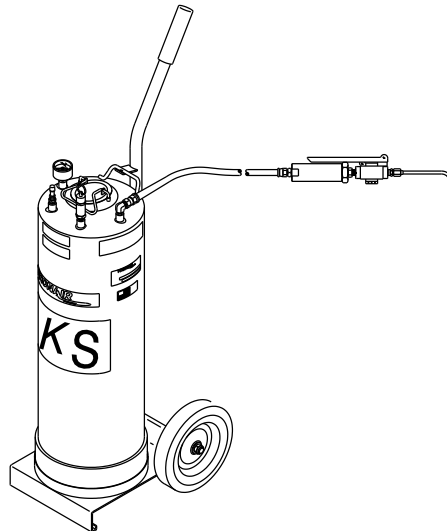




# OPERATION & SERVICE MANUAL



**Model: 09-5046-6500**  
**Reservoir Service Unit**  
**(TKS Fluids)**



03/2006 – Rev. 02

REVISION	DATE	TEXT AFFECTED
01	02-2004	Modified Parts List
02	03/2006	Change "Reservoir" to "Reservoir" throughout document Modified Parts List and Illustration



**TABLE OF CONTENTS**

	<b><u>PAGE</u></b>
<b>1.0 PRODUCT INFORMATION .....</b>	<b>1</b>
1.1 DESCRIPTION .....	1
1.2 MODEL & SERIAL NUMBER .....	1
1.3 MANUFACTURER .....	1
<b>2.0 OPERATION.....</b>	<b>1</b>
<b>3.0 PARTS LIST .....</b>	<b>1</b>
<b>4.0 IN SERVICE SUPPORT .....</b>	<b>1</b>
<b>5.0 GAURANTEES/LIMITATION OF LIABILITY .....</b>	<b>1</b>
<b>6.0 APPENDICES.....</b>	<b>1</b>

This product can not be modified without the written approval of Tronair, Inc. Any modifications done without written approval voids all warranties and releases Tronair, Inc., its suppliers, distributors, employees, or financial institutions from any liability from consequences that may occur. Only Tronair OEM replacement parts shall be used.

## 1.0 PRODUCT INFORMATION

### 1.1 DESCRIPTION

The Tronair Reservoir Service Unit (HSU), Model 09-5046-6500 is designed to provide a source of clean, pressurized fluid for servicing reservoirs and other maintenance functions.

### 1.2 MODEL & SERIAL NUMBER

Reference nameplate on unit

### 1.3 MANUFACTURER

**TRONAIR, Inc.**  
1 Air Cargo Pkwy East  
Swanton, Ohio 43558 USA

Telephone: (419) 866-6301 or 800-426-6301  
Fax: (419) 867-0634  
E-mail: sales@tronair.com  
Website: www.tronair.com

## 2.0 OPERATION



### CAUTION!

**Do not use on closed Reservoir systems.**

To use your Reservoir Service Unit, follow the steps below:

1. Fill vessel with proper fluid.
2. Attach air supply hose to air valve.
3. Pressurize vessel to 85 psig maximum and remove air supply hose from air valve.
4. Transfer fluid by pressing trigger valve on hose end.

## 3.0 PARTS LIST

Reference the following page(s) for Replacement Parts and Kits available.

## 4.0 IN SERVICE SUPPORT

Contact Tronair, Inc. for technical services and information. See Section 1.3 – Manufacturer.

## 5.0 GAURANTEES/LIMITATION OF LIABILITY

Tronair products are warranted to be free of manufacturing or material defects for a period of one year after shipment to the original customer. This is solely limited to the repair or replacement of defective components. This warranty does not cover the following items:

- a) Parts required for normal maintenance
- b) Parts covered by a component manufacturers warranty
- c) Replacement parts have a 90-day warranty from date of shipment

If you have a problem that may require service, contact Tronair immediately. Do not attempt to repair or disassemble a product without first contacting Tronair, any action may affect warranty coverage. When you contact Tronair be prepared to provide the following information:

- a) Product Model Number
- b) Product Serial Number
- c) Description of the problem

If warranty coverage is approved, either replacement parts will be sent or the product will have to be returned to Tronair for repairs. If the product is to be returned, a Return Material Authorization (RMA) number will be issued for reference purposes on any shipping documents. Failure to obtain a RMA in advance of returning an item will result in a service fee. A decision on the extent of warranty coverage on returned products is reserved pending inspection at Tronair. Any shipments to Tronair must be shipped freight prepaid. Freight costs on shipments to customers will be paid by Tronair on any warranty claims only. Any unauthorized modification of the Tronair products or use of the Tronair products in violation of cautions and warnings in any manual (including updates) or safety bulletins published or delivered by Tronair will immediately void any warranty, express or implied.

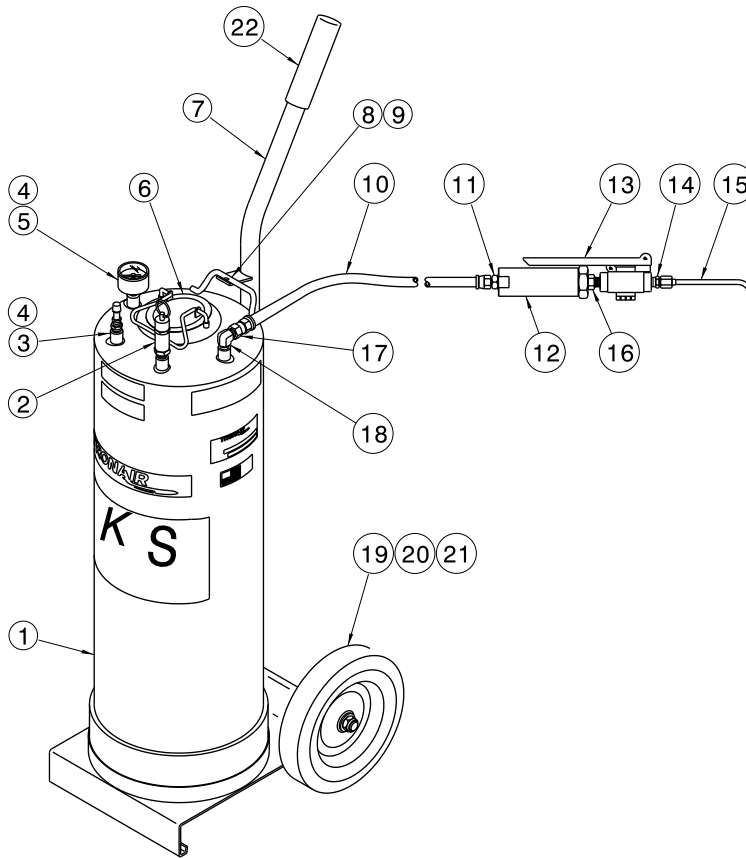
The obligations of Tronair expressly stated herein are in lieu of all other warranties or conditions expressed or implied. **Any unauthorized modification of the Tronair products or use of the Tronair products in violations of cautions and warnings in any manual (including updates) or safety bulletins published or delivered by Tronair will immediately void any warranty, express or implied and Tronair disclaims any and all liability for injury (WITHOUT LIMITATION and including DEATH), loss or damage arising from or relating to such misuse.**

## 6.0 APPENDICES

APPENDIX I Instrument Certification Notice  
APPENDIX II Declaration of Conformity

### Parts List

When ordering replacement parts/kits, please specify model, serial number and color of your unit.



Item	Part Number	Description	Qty
1	H-1218	Vessel, Pressure	1
2	PC-1017-02-125	Valve, Safety	1
3	H-1221	Valve, Air	1
4	N-2210-02-SS	Reducer, Pipe Thread	2
5	HC-1831	Gauge, Pressure	1
6	HC-1395	O-ring, Closure	1
7	Z-1325-04	Weldment, Cart	1
8	G-1159-103504	Screw, Round Head	1
9	G-1202-1035	Stopnut, Elastic	1
10	TF-1043-09*180	Hose, Assembly	1
11	N-2007-05-SS-V	Connector, Straight Thread	1
12	HC-2220	Filter, In-line	1
	K-3658	Kit, Element Replacement	1
16	N-2214-03-SS-V	Connector, Straight Thread	1
17	N-2010-04-SS	Connector, Female	1
18	N-2201-04-SS	Elbow, Male	1
19	G-1250-1090N	Flatwasher	4
20	G-1203-1095	Jamnut, Elastic	2
21	U-1001-01	Wheel	2
22	H-1223	Grip, Handle	1
	<b>Z-5869</b>	<b>Assembly, Fill Valve; consists of:</b>	
13	HC-2244	Valve, Trigger	1
14	N-2009-04-SS	Connector, Male	1
15	HC-5550	Assembly, Tube	1





## **APPENDIX I**

### **Instrument Certification Notice**





## Instrument Certification Notice

The gauge Certificates of Calibration supplied for the gauge(s) on this unit contain the calibration data for the actual instrument calibrated, along with the calibration date of the **STANDARD** used to perform the calibration check.

The due date for re-calibration of the instrument should be based upon the date the instrument was placed in service in your facility. Re-calibration should be done on a periodic basis as dictated by the end user's quality system or other overriding requirements.

Note that Tronair, Inc. does not supply certificates of calibration on flow meters or pyrometers unless requested at the time of placed order. These instruments are considered reference indicators only and are not critical to the test(s) being performed on the aircraft.





## **APPENDIX II**

### **Declaration of Conformity**





## Declaration of Conformity

The design, development and manufacture is in accordance with European Community guidelines

### Reservoir Service Unit

Relevant draft complied with by the machinery:  
2006/42/EC

Relevant standards complied with by the machinery:  
EN ISO 12100-1

Identification of person empowered to sign on behalf of the Manufacturer:

A handwritten signature in cursive script that reads "Patrick Finch". The signature is written in black ink and is positioned above a horizontal line.

Quality Assurance Representative