



Model: 08-0114-4010 JT-15D Engine Sling

This product can not be modified without the written approval of Tronair, Inc. Any modifications done without written approval voids all warranties and releases Tronair, Inc., its suppliers, distributors, employees, or financial institutions from any liability from consequences that may occur. Only Tronair OEM replacement parts shall be used.

INSPECTION/MAINTENANCE

SERVICE	INTERVAL	
Normal	Yearly	Inspect equipment at site of use. Operation with various weights within the rated load limit, or uniform loads less than 65 percent of rated load.
Heavy	Semi-Annual	Inspect equipment at site of use unless external conditions indicate that disassembly should be done to permit detailed inspection. Operation within the rated load limit that exceeds normal service.
Severe	Quarterly	Inspect equipment at site of use unless external conditions indicate that disassembly should be done to permit detailed inspection. Operation at normal or heavy service under abnormal operating conditions.
Special/ Infrequent	As recommended by a qualified person before the first such use and as directed by the qualified person for any subsequent uses	

It is recommended to send Equipment to Manufacturer or Authorized Service Center for Recertification.

Rated load at engine sling lift hole: 695 lbs.

The rated capacity shall not be more than 80 percent of the maximum load sustained during the test. Test loads shall not be more than 125 percent of the rated capacity unless otherwise recommended by the manufacturer. Test weights shall be accurate to within -5 percent, +0 percent of stipulated values.

TEST PROCEDURE

1. Load test sling to 125% of rated load
2. Hold for one (1) minute.
3. Remove the sling from the test weight and inspect the entire sling for broken welds, elongated holes, or any other signs of failure.)

GUARANTEES/LIMITATION OF LIABILITY

Tronair products are warranted to be free of manufacturing or material defects for a period of one year after shipment to the original customer. This is solely limited to the repair or replacement of defective components. This warranty does not cover the following items:

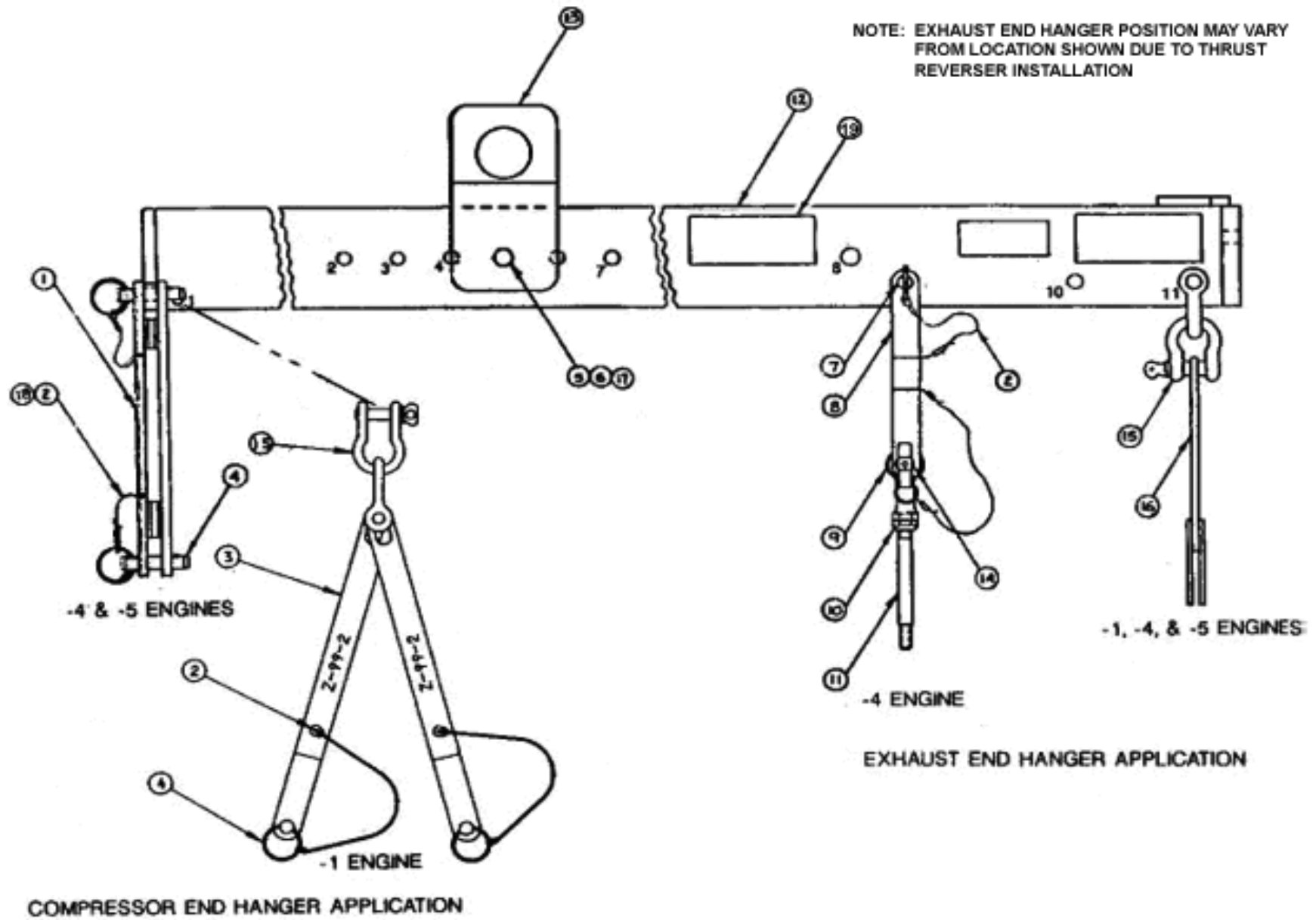
- a) Parts required for normal maintenance
- b) Parts covered by a component manufacturers warranty
- c) Replacement parts have a 90-day warranty from date of shipment

If you have a problem that may require service, contact Tronair immediately. Do not attempt to repair or disassemble a product without first contacting Tronair, any action may affect warranty coverage. When you contact Tronair be prepared to provide the following information:

- a) Product Model Number
- b) Product Serial Number
- c) Description of the problem

If warranty coverage is approved, either replacement parts will be sent or the product will have to be returned to Tronair for repairs. If the product is to be returned, a Return Material Authorization (RMA) number will be issued for reference purposes on any shipping documents. Failure to obtain a RMA in advance of returning an item will result in a service fee. A decision on the extent of warranty coverage on returned products is reserved pending inspection at Tronair. Any shipments to Tronair must be shipped freight prepaid. Freight costs on shipments to customers will be paid by Tronair on any warranty claims only. Any unauthorized modification of the Tronair products or use of the Tronair products in violation of cautions and warnings in any manual (including updates) or safety bulletins published or delivered by Tronair will immediately void any warranty, express or implied.

The obligations of Tronair expressly stated herein are in lieu of all other warranties or conditions expressed or implied. **Any unauthorized modification of the Tronair products or use of the Tronair products in violations of cautions and warnings in any manual (including updates) or safety bulletins published or delivered by Tronair will immediately void any warranty, express or implied and Tronair disclaims any and all liability for injury (WITHOUT LIMITATION and including DEATH), loss or damage arising from or relating to such misuse.**





Parts List

When ordering Replacement Parts/Kits, please specify Model, Color and Serial Number of your Unit

Item	Part Number	Description	Qty
5	G-1100-107016	H.H. Bolt, 3/8-16 x 1-3/4" lg.	1
6	G-1202-1070	Elastic Stopnut, 3/8-16	1
12	Z-1752	Engine Sling Weldment	1
13	Z-0081	Sling Clevis	1
15	H-1508-02	Shackle	4
17	G-1250-1070N	Flatwasher, 3/8"	1
19	V-1725	Label, Working Load	1
	K-1805	Hanger Assembly Kit; consists of:	
1	Z-1750	Compressor Hanger Weldment	2
2		Cable	4
4		Pin	4
18		Rivet	2
	K-1806	Hanger Assembly Kit; consists of:	
2		Cable	2
7		Pin	1
8	Z-1751	Exhaust Hanger Weldment	1
9		Rod End	1
10		Hex Nut, 3/8-24	1
11		Connector Rod	1
14		T-Handle Ball Lock Pin	1
18		Rivet	2
	K-1807	Strap Assembly Kit; consists of:	
2		Cable	2
3	Z-0099-02	Compressor Strap Weldment	2
4		Pin	2
15		Shackle	2
18		Rivet	2
	K-1808	Strap Assembly Kit; consists of:	
2		Cable	1
4		Pin	1
16	Z-0099-01	Exhaust Strap Weldment	1
15		Shackle	2
18		Rivet	2
	K-1809	Connecting Rod Kit; consists of:	
9		Rod End	1
10		Hex Nut, 3/8-24	1
11		Connector Rod	1
	K-1825	Pin Kit (Included in K-1806); consists of:	
2		Cable	1
7		Pin	1
18		Rivet	1
	K-1826	Pin Kit (Included in Hanger & Strap Kits); consists of:	
2		Cable	1
4		Pin	1
18		Rivet	1
	K-1827	Ball Lock Pin Kit (Included in K-1806); consists of:	
2		Cable	1
14		Ball Lock Pin	1
18		Rivet	1



The Tronair Family of Ground Support Equipment
and cloud based EBis GSE Fleet Management



Cloud Based
Fleet Management

The premier global supplier of ground support equipment



The Tronair Family of GSE Product Lines

UNPARALLELED RANGE OF PRODUCTS FOR BUSINESS, COMMERCIAL AND MILITARY AIRCRAFT

LIFTING & SHORING (ATA-7)

Hydraulic Tripod Jacks
Axle Jacks
Jack Test Equipment
Stabilizing Stands & Alarms
Aircraft Recovery Dollies

LEVELING & WEIGHING (ATA-8)

Aircraft Weigh Equipment

TOWING AND TAXIING (ATA-9)

Towbar Systems
Tow Vehicles & Tractors

PARKING & MOORING (ATA-10)

Chocks & Covers

SERVICING (ATA-12)

Multi-Purpose Carts
Hydraulic & Engine Oil Servicing
& Test Equipment
Lavatory Servicing Carts
Potable Water Transport Carts
Oxygen & Nitrogen Carts
Oxygen & Nitrogen Boosters

AIR CONDITIONING (ATA-21)

Air Conditioning Equipment
Coolant System Fill/Drain Carts
Cabin Pressurization Test Units

ELECTRICAL (ATA-24)

Ground Power Units
Battery Charger/Analyzer

FUEL (ATA-28)

Fuel Transfer Cart
Fuel Tools

HYDRAULIC POWER (ATA-29)

Hydraulic Power Units
Ram Air Turbine (RAT)
Hydraulic Coupling Hose Adaptors

ICE & RAIN PROTECTION (ATA-30)

Deicer Carts

AIRCRAFT TOOLING

Designed to your Specifications

LANDING GEAR (ATA-32)

Beadbreakers
Dollies - Wheel & Brake
Service Tools
Strut Service Carts
Regulators, Adaptors,
Connectors & Gauges

FUSELAGE (ATA-53)

Lifts, Cranes & Hoists
Maintenance Platforms
Access Stands
Docking Systems

PROPELLERS (ATA-61)

Propeller Stands/Slings/Tools

POWER PLANT (ATA-71)

Engine Compressor Washers
Engine Hoists, Slings & Stands

CLOUD BASED FLEET MGT.

Manage your Repair Station,
Multi Location Jet Center or
Small Operation



www.tronair.com

www.columbusjack.com | www.daeind.com | www.datcomedia.com | www.eagletugs.com | www.malabar.com

Sales Offices: USA • Asia/China • Australia/New Zealand/Singapore • Europe/Middle East/Africa

Tronair, Inc. • 1 Air Cargo Pkwy East • Swanton, OH 43558, USA
Phone: 419-866-6301 | Toll Free: 1-800-426-6301 | Email: sales@tronair.com