

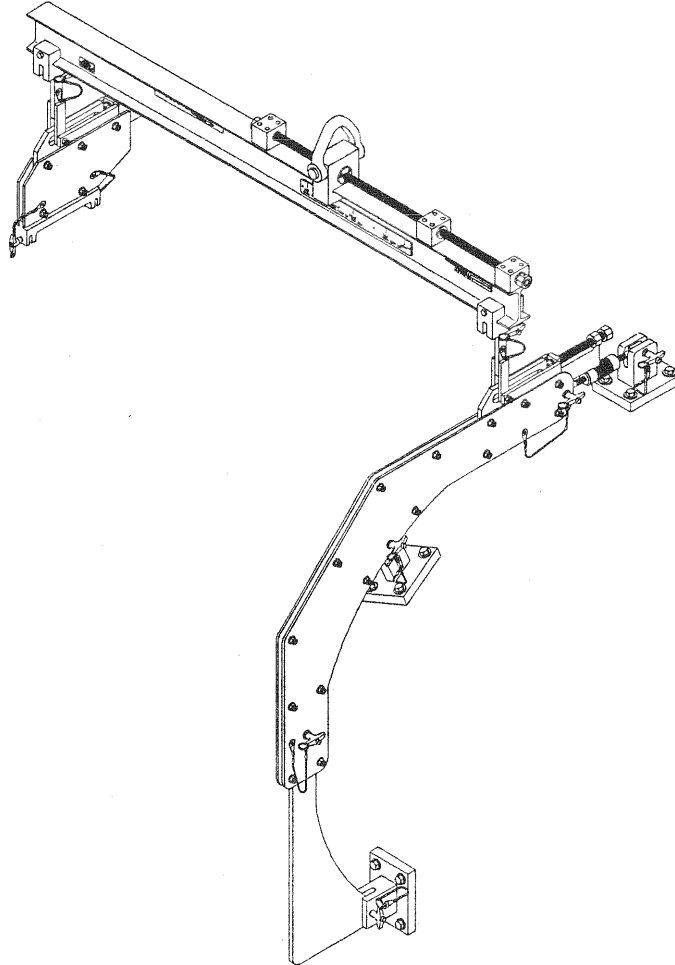
TRONAIR

OPERATION & SERVICE MANUAL

ALLISON AE-3007C ENGINE SLING
08-0129-4000

June 1996

Rev: OR



Tronair

South 1740 Eber Road
Holland, Ohio 43528-9794

Phone: (419) 866-6301 • 800-426-6301

Fax: (419) 867-0634



08-0129-4000
Allison AE-3007C Engine Sling

TABLE OF CONTENTS

	<u>Page</u>
General Description	1
Engine Sling Usage Instructions	1
Changing Sling Configuration To Place Engine into Shipping Container	4
Replacement Parts	5
Replacement Kits	6

TRONAIR

08-0129-4000

Allison AE-3007C Engine Sling

GENERAL DESCRIPTION

This engine sling is designed to be used in the following configurations:

1. Plain engine
2. Engine with thrust reverser and accessories
3. Engine with thrust reverser and inlet accessories
4. Engine with inlet and accessories

The engine sling capabilities include lifting the engine from one side of the engine on the engine front mounting pads with a single rear lift point (as in Figure 1) and lifting the engine from the top engine mounting pads and a single rear pickup point. The engine sling will allow the engine to be rolled -2 degrees to +7 degrees in any of the engine sling configuration (as in Figure 3). The engine sling lift point has 17 ½ inches of adjustability to allow for locating the exact center of gravity for the engine. The engine sling is manufactured of hardcoat anodized aluminum to reduce the weight of the sling to only 109 lbs. with the largest component weighing only 40 lbs.

ENGINE SLING USAGE INSTRUCTIONS

REMOVING ENGINE FROM AIRCRAFT

- A. Attach front pickup fixture to outboard engine mount pickup points (see Figure 1).
- B. Attach engine tab block to top front outboard engine mount.
- C. Attach engine block to bottom front outboard engine mount.

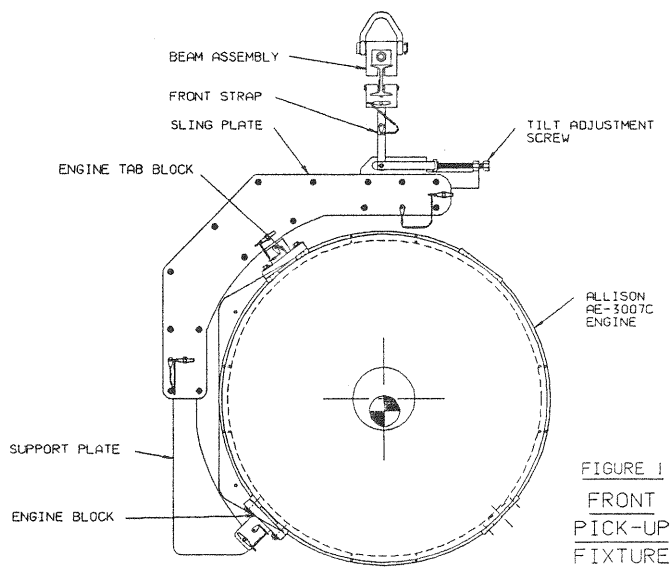


Figure 1

TRONAIR

08-0129-4000

Allison AE-3007C Engine Sling

D. Attach rear pickup fixture to rear lift point. Orientate tilt adjustment screw in the same direction as the front pickup fixture (see Figure 2).

E. Attach AE-3007C beam to pickup straps on front and rear pickup fixtures (see Figure 3). Orientate the beam with the acme rod assembly to the front of the engine.

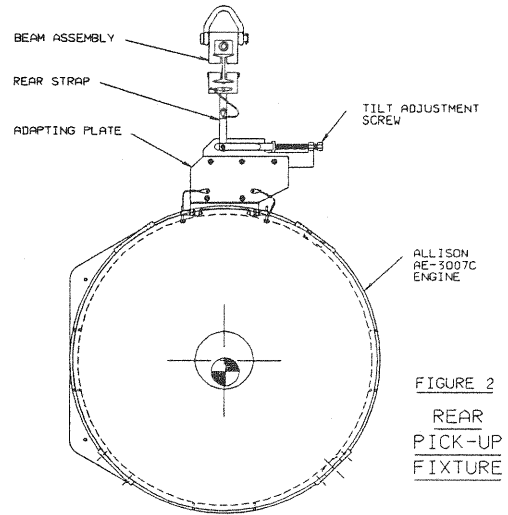


FIGURE 2
REAR
PICK-UP
FIXTURE

Figure 2

F. Adjustments to the tilt adjustment screw on both front and rear pickup fixtures must be made at the same time to adjust for the roll of the engine (see Figure 3).

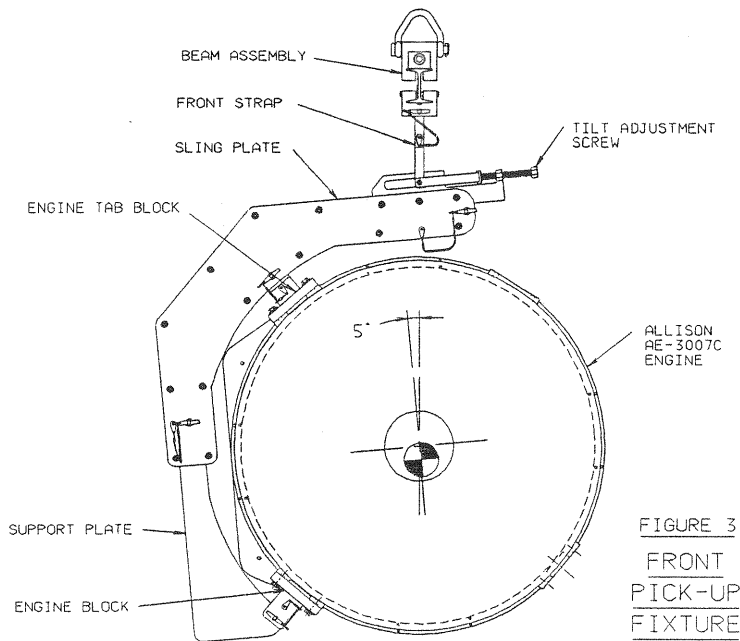


FIGURE 3
FRONT
PICK-UP
FIXTURE

Figure 3

TRONAIR

08-0129-4000

Allison AE-3007C Engine Sling

- G. The engine sling has three possible CG locations by configuration. Each engine configuration can be “level” or have the “nose up” depending on the position of the clevis block assembly. The clevis block assembly is moved by turning the acme rod assembly (see Figure 4).

APPROXIMATE CG LOCATION BY CONFIGURATION	
1	Engine/Thrust Rev/Acc
2	Engine/Thrust Rev/Inlet Acc
3	Engine/Inlet/Acc

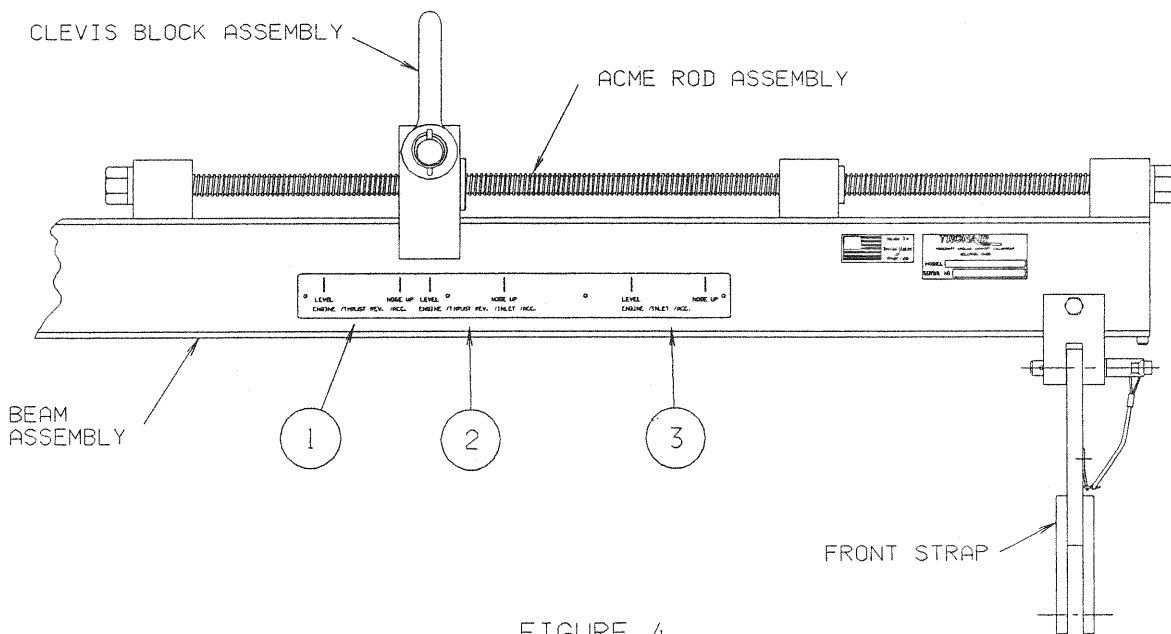


FIGURE 4

CG LOCATION BY CONFIGURATION

TRONAIR

08-0129-4000

Allison AE-3007C Engine Sling

CHANGING SLING CONFIGURATION TO PLACE THE ENGINE INTO A SHIPPING CONTAINER

- A. After the engine is on the sling adjust the tilt adjustment screws to level engine with shipping container.
- B. Install engine block to inboard side of engine and turnbuckle in between the sling plate and engine block (see Figure 5).
- C. Tighten turnbuckle until the pins in the lower engine block and support plate of the front pickup fixture are loose.
- D. After the load is on the turnbuckle remove the pins in the support plate and slide the arm out of the fixture.
- E. Remove engine block from the lower engine front mounting pad.

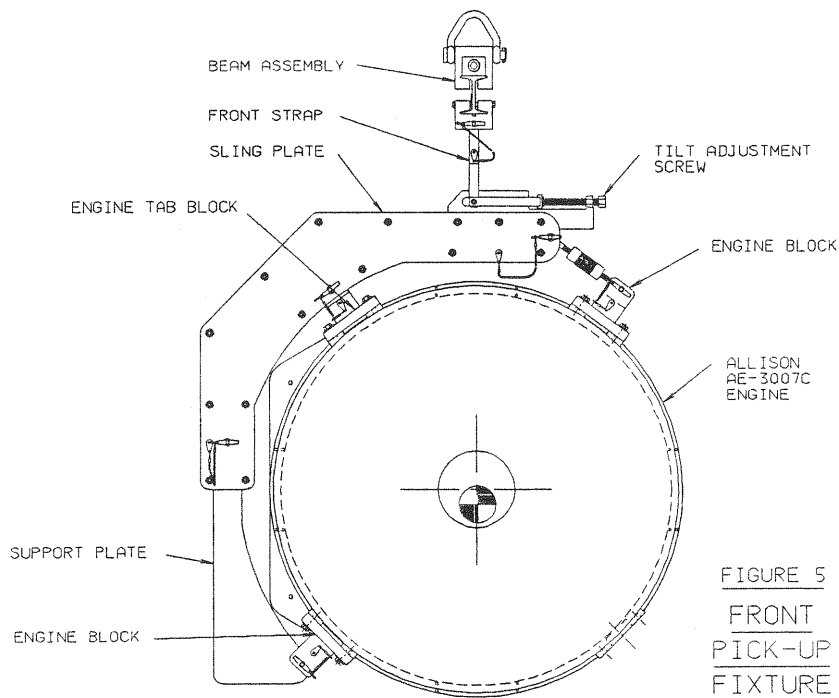
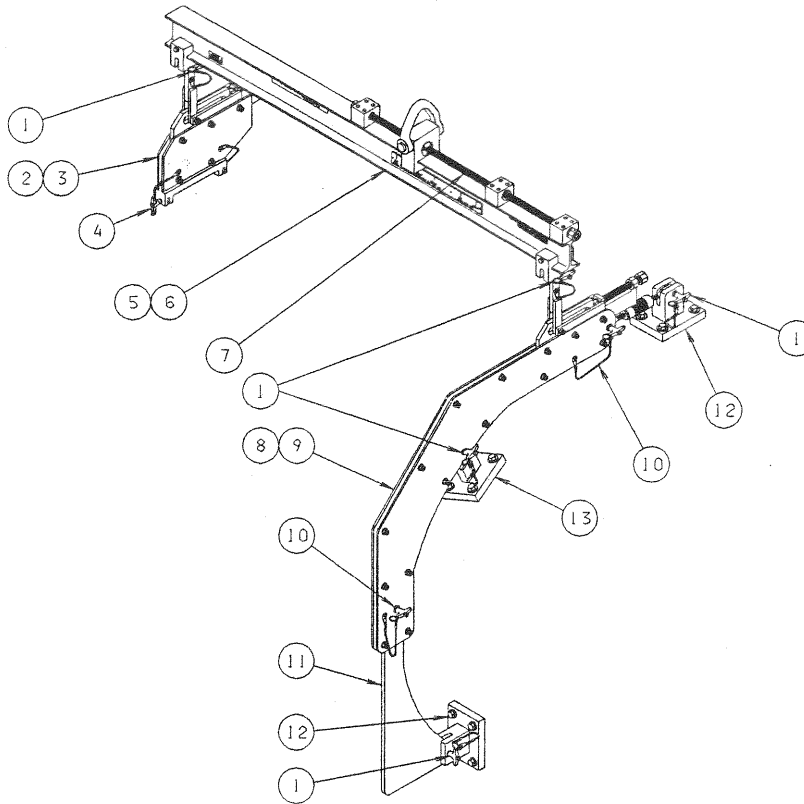


Figure 5

TRONAIR

08-0129-4000

Allison AE-3007C Engine Sling



REPLACEMENT PARTS

<u>ITEM</u>	<u>PART NO.</u>	<u>DESCRIPTION</u>	<u>QTY</u>
2	J-2568	Plate, Adapting	1
3	Z-3514	Assembly, Rear Mount (includes items 1, 2, 4)	1
5	M-1061	Beam, AE-3007C	1
6	Z-3524	Assembly, Beam (includes items 5, 7)	1
7	Z-3525	Assembly, Acme Rod	1
8	Z-3513	Assembly, Sling Plate (includes items 1, 9, 10)	2
9	J-2450	Plate, Sling	1
11	Z-3512	Assembly, Support Plate	2
12	Z-3523	Assembly, Engine Block (includes item 1)	1
13	Z-3522	Assembly, Engine Tab Block (includes item 1)	1

TRONAIR

08-0129-4000

Allison AE-3007C Engine Sling**REPLACEMENT KITS**

<u>ITEM</u>	<u>PART NO.</u>	<u>DESCRIPTION</u>	<u>QTY</u>
1	K-2615	Kit, Ball-Lok Pin, ½ dia. x 2.0 long; consists of:	
	G-1310-0820	Pin, ½ x 2.0 Ball Lok-T	1
	G-1351-04	Rivet, ⅛ Open-End Stl.	1
	H-1026*07.0	Assembly, Lanyard	1
4	K-2625	Kit, Ball-Lok Pin, ⅜ dia. x 1.3 long; consists of:	
	G-1310-0613	Pin, ⅜ x 1.3 Ball Lok-T	1
	G-1351-04	Rivet, ⅛ Open-End Stl.	1
	H-1026*07.0	Assembly, Lanyard	1
10	K-2384	Kit, Ball-Lok Pin, ½ dia. x 1.5 long; consists of:	
	G-1310-0815	Pin, ½ x 1/5 Ball Lok-T	1
	G-1351-04	Rivet, ⅛ Open-End Stl.	1
	H-1026*07.0	Assembly, Lanyard	1