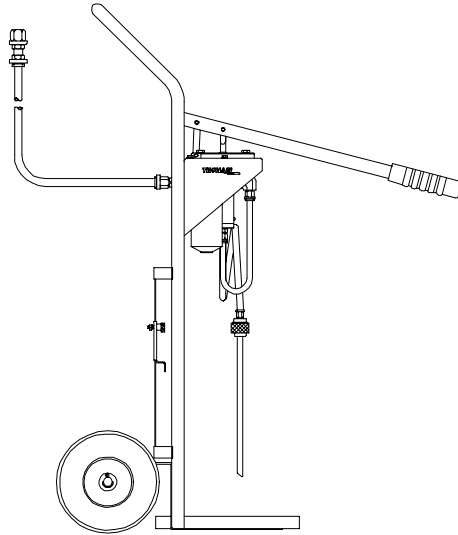




Operation & Service Manual



Model: 06-5021 Series Reservoir Servicing Unit

04/1999 – Rev. 07

Includes Illustrated Parts List

Tronair, Inc.

*1740 Eber Road
Holland, Ohio 43528-9794
USA*

Telephone: (419) 866-6301 • 800-426-6301

Fax: (419) 867-0634

Web Site: www.tronair.com E-mail: mail@tronair.com

**Model: 06-5021 Series
Reservoir Servicing Unit**

TABLE OF CONTENTS

PAGE

1.0	General Description.....	1
2.0	Specifications	1
3.0	Features	1
4.0	Preparation For Use.....	1
5.0	Operation	2
6.0	Maintenance	2
6.1	Tires.....	2
6.2	Filters.....	2
6.3	Service.....	2
	Parts List Index.....	2

**Model: 06-5021 Series
Reservoir Servicing Unit**

1.0 GENERAL DESCRIPTION

The Tronair Reservoir Service Unit is a compact unit primarily designed to provide a source of clean fluid for filling reservoirs. It is not intended for performing any pressure testing tasks. A unique feature is that the unit pumps fluid directly from standard 5 gallon containers.

2.0 SPECIFICATIONS

<u>Model Number</u>	<u>Fluid</u>	<u>Maximum Pressure</u>	<u>Filter (Micron)</u>
06-5021-1500	MIL-H-5606/83282	75 PSI	3 & 15
06-5021-3600	Skydrol/Hyjet	75 PSI	3 & 15
DIMENSIONS:	20 inches Wide x 22 inches Long x 44 inches High		
WEIGHT:	45 pounds		
PUMP DISPLACEMENT:	9 cubic inch/stroke		

3.0 FEATURES

- X 15 foot hose
- X Pickup tube fits all standard 5 gallon can
- X 3 micron main filter with 15 micron inline filter at end of hose on hydraulic fluid units

4.0 PREPARATION FOR USE

The unit is shipped fully assembled, and only the following steps are required to make it operational:

1. Set 5 gallon can of fluid inside the ring and lock in place with slide lock.

NOTE: On 06-5021-1500 units only, apply appropriate fluid label on top of hand pump platform.



CAUTION!

Only use the type of fluid for which the unit is designed. Using other fluids will cause contamination and seal deterioration.

2. Remove the cap and seal from the container, pull out plastic spout, and insert pickup tube into the neck. Screw down the fitting to form a snug fit.
3. Operate hand pump several times to fill line and purge air. Install coupling at hose end if applicable.

Model: 06-5021 Series Reservoir Servicing Unit

5.0 OPERATION

To Use the Unit:

1. Make sure pickup tube is completely tightened down.
2. Securely attach hose to aircraft.
3. Operate pump handle at a slow to moderate pace with even pressure.

NOTE: *It is not necessary to operate pump rapidly. The pump moves a large volume of oil per stroke and will fill a reservoir much faster than standard pumps.*

A slow movement of the pump handle with a steady pressure works best.

When Service Has Been Completed:

1. Disconnect hose from aircraft.
2. Replace protective cap on hose end to prevent dirt ingestion.

6.0 MAINTENANCE

6.1 TIRES

Maintain 45-50 PSI tire pressure.

6.2 FILTERS

Both filters are of a non-bypass design. This means that, if either filter becomes clogged, no fluid will pass to the aircraft **and** a high handle force will result. If this happens, service the filters. **DO NOT** force the pump handle as damage to unit components could result.

6.3 SERVICE

The 3 micron main filter is of a throwaway design and is **not cleanable**. The 15 micron hose end filter may be cleaned by removing and back flushing with clean hydraulic fluid or a neutral fluid. **DO NOT use chlorinated solvents** for this purpose. If desired, this filter may be replaced.

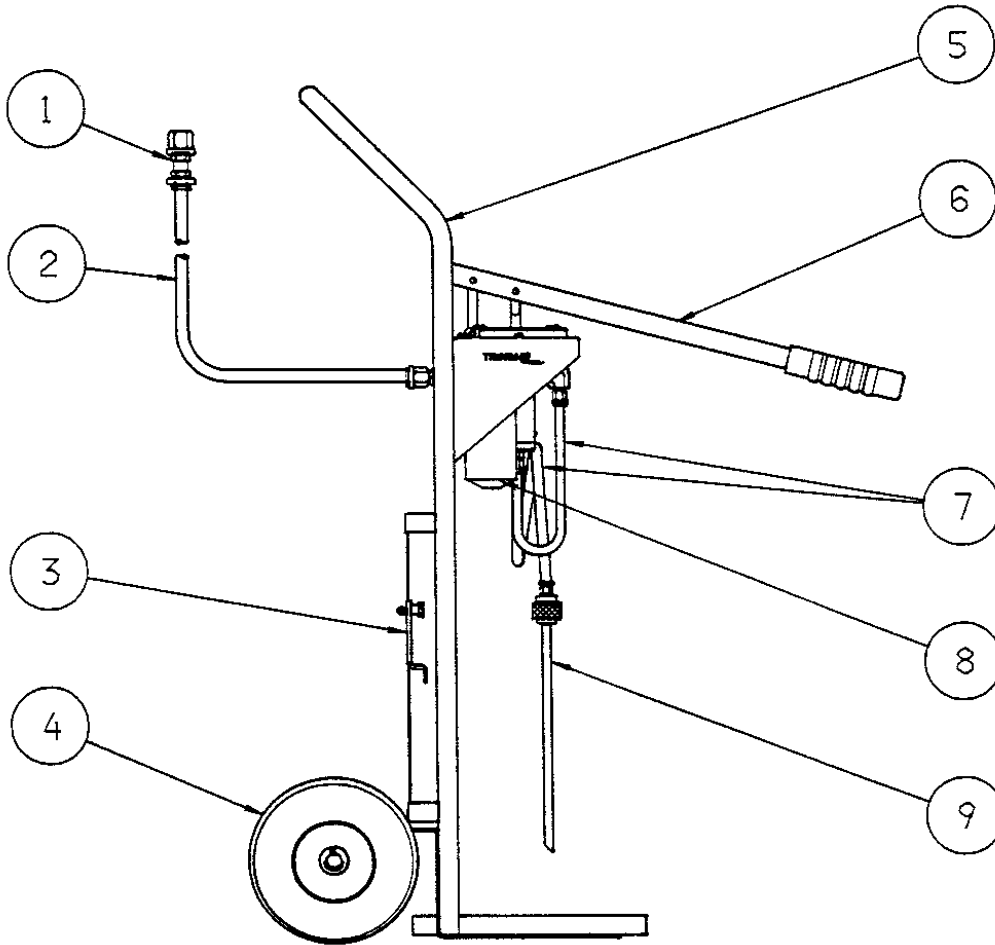
Parts List Index

Description	Page
Reservoir Servicing Unit	3
Filter Assembly	4
Hand Pump	5 - 6

**Model: 06-5021 Series
Reservoir Servicing Unit**

Parts List

ITEM	FLUID	PART NUMBER	DESCRIPTION	QTY
1	N/A	HC-1484	Filter, Inline	1
2	Mineral Base	K-1771	Kit, External Hoses	1
	Phosphate Ester	K-1764	Kit, External Hose	1
3	N/A	K-1780	Kit, Hold Down Assembly	1
4	N/A	K-2082	Kit, Wheel	2
5	N/A	Z-2033-11	Weldment, Hand Truck	1
6	Mineral Base	Z-2029	Pump, Hand	1
	Phosphate Ester	Z-2030	Hand Pump	1
7	Mineral Base	K-1773	Kit, Internal Hose	1
	Phosphate Ester	K-1769	Kit, Internal Hose	1
8	Mineral Base	HC-1481	Assembly, Filter	1
	Phosphate Ester	HC-1480	Assembly, Filter	1
9	N/A	Z-2031	Assembly, Pickup Tube	1
Not Shown	N/A	N-2052-06	Expander, Tube	1

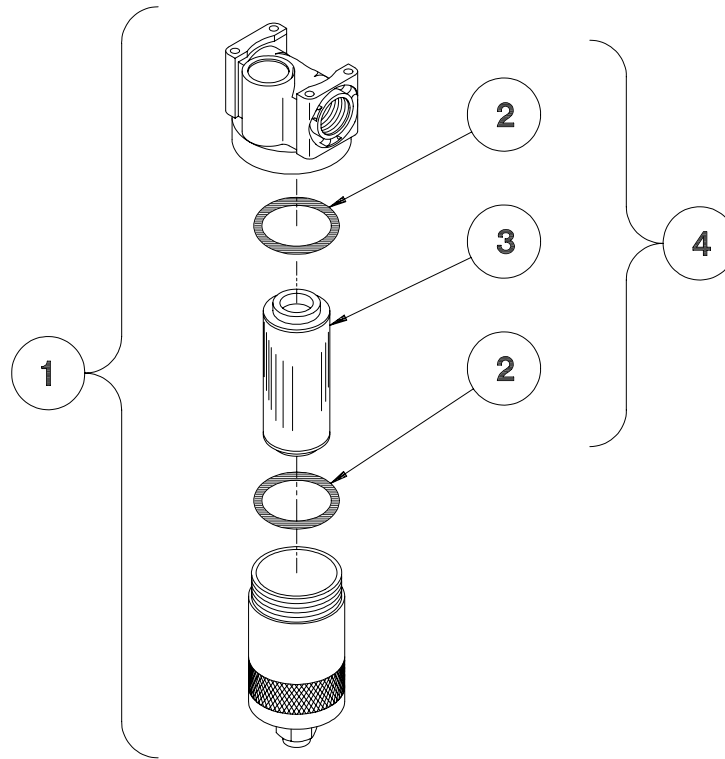


TRONAIR

04/1999 - Rev. 07

**Model: 06-5021 Series
Reservoir Servicing Unit**

Filter Assembly



<u>ITEM</u>	<u>FLUID</u>	<u>PART NUMBER</u>	<u>DESCRIPTION</u>	<u>QTY</u>
1	Mineral Base	HC-1481	Assembly, Filter	1
	Phosphate Ester	HC-1480	Assembly, Filter	1
3	Mineral Base	HC-1482	Element, Filter	1
	Phosphate Ester	HC-1483	Element, Filter	1
<u>FILTER REPLACEMENT PARTS</u>				
2	Mineral Base	HC-2000-142	O-Ring, Series 2 (BUNA)	2
	Phosphate Ester	HC-2006-142	O-Ring, Series 2 (EPR)	2
4	Mineral Base	K-3098	Kit, Filter Element	1
	Phosphate Ester	K-3099	Kit, Filter Element	1

**Model: 06-5021 Series
Reservoir Servicing Unit**

Z-2029/Z-2030 Hand Pump

Reference Parts List Illustration on following page.

REPLACEMENT PARTS

ITEM	PART NUMBER	DESCRIPTION	QTY
4	J-1786	Link, Pivot	1
7	TR-1277	Cylinder	1
8	R-1289	Piston	1
11	G-1154-103004	Screw, Button Head Socket Cap #10-24 x 1/2" long	2
12	G-1303-06070	Pin, Roll	1
13	R-1287	Cap, Valve End	1
15	N-2007-11-S	Connector, Straight Thread	1
16	R-1288	Head, Pump	1
19	R-1286	Rod, Piston	1
20	G-1203-1050	Jamnut, 1/4 -20 Elastic	1
21	G-1250-1050N	Flatwasher, 1/4 Narrow	1
24	HC-1493	Fitting, Output	1

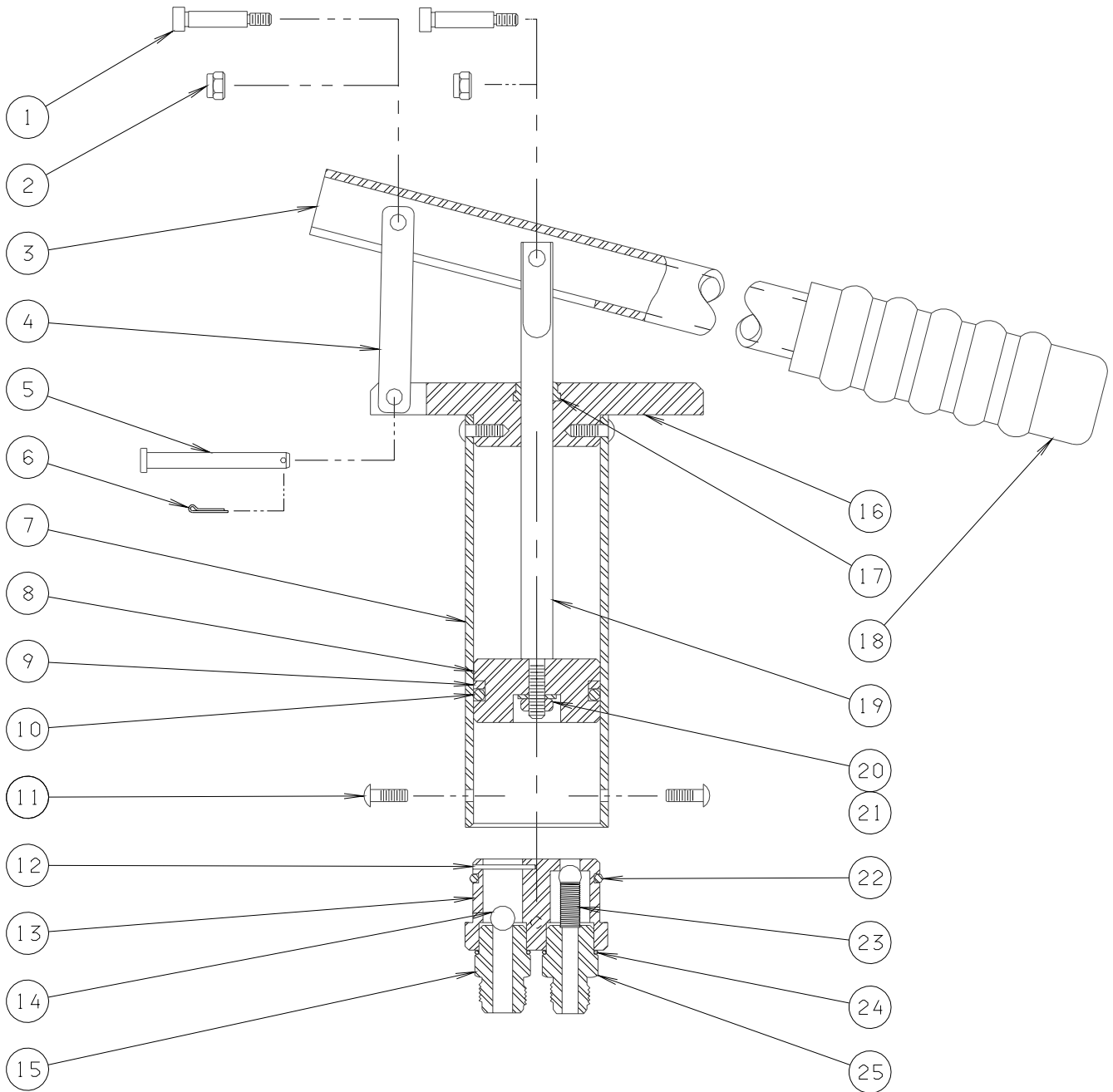
(All other parts available in Replacement Kits only)

REPLACEMENT KITS

K-1752	Kit, Seals and Valve (Mineral Base):		
K-1753	Kit, Seals and Valve (Phosphate Ester):		
- Item 9	HC-2020-326	Ring, Backup	1
- Item 10	HC-2006-133	O-Ring (Phosphate Ester)	1
	HC-2007-326	O-Ring (Mineral Base)	1
- Item 14	H-1640-11	Ball	2
- Item 17	HC-1494	Wiper, Rod	1
- Item 22	HC-2006-133	O-Ring (Phosphate Ester)	1
	HC-2000-133	O-Ring (Mineral Base)	1
- Item 23	H-1641	Spring	1
- Item 25	HC-1611	O-Ring (Phosphate Ester)	2
	HC-1493	O-Ring (Mineral Base)	2
K-1763	Kit, Handle:		
- Item 1	G-1155-103210	Screw, Socket Head Shoulder, 1/4" diameter x 1" long	2
- Item 2	G-1202-1030	Stopnut, #10-24 Elastic	2
- Item 3	TR-1278	Handle	1
- Item 5	G-1302-17	Pin, Clevis, 1/4" diameter x 2-1/4" long	1
- Item 6	G-1301-07	Pin, Cotter, 1/16" diameter x 1/2" long	1
- Item 18	H-1223	Grip, Handle	1

**Model: 06-5021 Series
Reservoir Servicing Unit**

**Z-2029/Z-2030 Hand Pump
Parts List Illustration**



TRONAIR

04/1999 - Rev. 07