



## 14-4039-0010 – Manual Beadbreaker

This product can not be modified without the written approval of Tronair, Inc. Any modifications done without written approval voids all warranties and releases Tronair, Inc., its suppliers, distributors, employees, or financial institutions from any liability from consequences that may occur. Only Tronair OEM replacement parts shall be used.

Adjustable for various tires sizes up to 12 in (30.5 cm)

### GUARANTEES/LIMITATION OF LIABILITY

Tronair products are warranted to be free of manufacturing or material defects for a period of one year after shipment to the original customer. This is solely limited to the repair or replacement of defective components. This warranty does not cover the following items:

- a) Parts required for normal maintenance
- b) Parts covered by a component manufacturer's warranty
- c) Replacement parts have a 90-day warranty from date of shipment

If you have a problem that may require service, contact Tronair immediately. Do not attempt to repair or disassemble a product without first contacting Tronair, any action may affect warranty coverage. When you contact Tronair be prepared to provide the following information:

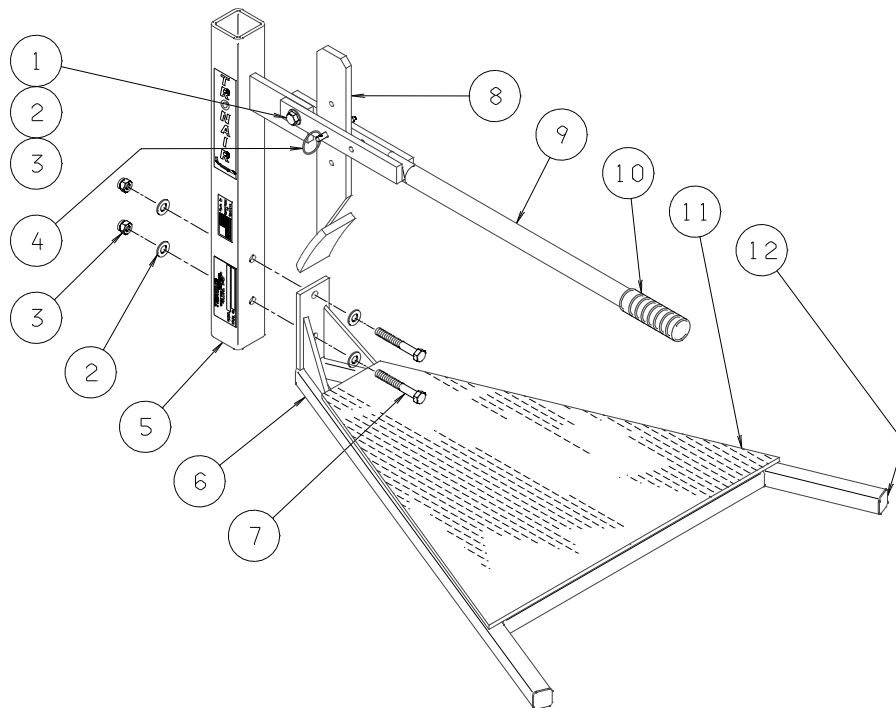
- a) Product Model Number
- b) Product Serial Number
- c) Description of the problem

If warranty coverage is approved, either replacement parts will be sent or the product will have to be returned to Tronair for repairs. If the product is to be returned, a Return Material Authorization (RMA) number will be issued for reference purposes on any shipping documents. Failure to obtain a RMA in advance of returning an item will result in a service fee. A decision on the extent of warranty coverage on returned products is reserved pending inspection at Tronair. Any shipments to Tronair must be shipped freight prepaid. Freight costs on shipments to customers will be paid by Tronair on any warranty claims only. Any unauthorized modification of the Tronair products or use of the Tronair products in violation of cautions and warnings in any manual (including updates) or safety bulletins published or delivered by Tronair will immediately void any warranty, express or implied.

The obligations of Tronair expressly stated herein are in lieu of all other warranties or conditions expressed or implied. **Any unauthorized modification of the Tronair products or use of the Tronair products in violations of cautions and warnings in any manual (including updates) or safety bulletins published or delivered by Tronair will immediately void any warranty, express or implied and Tronair disclaims any and all liability for injury (WITHOUT LIMITATION and including DEATH), loss or damage arising from or relating to such misuse.**

### Parts List

When ordering Replacement Parts/Kits, please specify Model, Color and Serial Number of your Unit



Item	Part Number	Description	Qty
4	G-1307-0418	Pin, Aerofast	1
	<b>K-3032</b>	<b>Kit, Beadbreaker Post; consists of:</b>	
1	G-1100-107520	Bolt, Hex Head, Grade 5, 3/8-24 x 2" long	1
2	G-1250-1070N	Flatwasher, 3/8 Narrow	6
3	G-1202-1075	Stopnut, 3/8-24 Elastic	3
5	Z-4321	Post, Beadbreaker (includes Labels)	1
7	G-1100-107526	Bolt, Hex Head, Grade 5, 3/8-24 x 2-3/4" long	2
	<b>K-3033</b>	<b>Kit, Beadbreaker Base; consists of:</b>	
2	G-1250-1070N	Flatwasher, 3/8 Narrow	4
3	G-1202-1075	Stopnut, 3/8-24 Elastic	2
6	Z-3915-01	Assembly, Base	1
7	G-1100-107526	Bolt, Hex Head, Grade 5, 3/8-24 x 2-3/4" long	2
11	H-1122	Pad, Neoprene	1
12	H-1143	Caplug	2
	<b>K-3034</b>	<b>Kit, Breaker Arm; consists of:</b>	
4	G-1307-0418	Pin, Aerofast	1
8	Z-1052	Weldment, Breaker Arm	1
	<b>K-3035</b>	<b>Kit, Lever Arm; consists of:</b>	
1	G-1100-107520	Bolt, Hex Head, Grade 5, 3/8-24 x 2" long	1
2	G-1250-1070N	Flatwasher, 3/8 Narrow	2
3	G-1202-1075	Stopnut, 3/8-24 Elastic	1
9	Z-1060-01	Weldment, Lever Arm	1
10	H-1223	Grip, Handle	1



The Tronair Family of Ground Support Equipment  
and cloud based EBis GSE Fleet Management



Cloud Based  
Fleet Management

The premier global supplier of ground support equipment



# The Tronair Family of GSE Product Lines

UNPARALLELED RANGE OF PRODUCTS FOR BUSINESS, COMMERCIAL AND MILITARY AIRCRAFT

## **LIFTING & SHORING (ATA-7)**

Hydraulic Tripod Jacks  
Axle Jacks  
Jack Test Equipment  
Stabilizing Stands & Alarms  
Aircraft Recovery Dollies

## **LEVELING & WEIGHING (ATA-8)**

Aircraft Weigh Equipment

## **TOWING AND TAXIING (ATA-9)**

Towbar Systems  
Tow Vehicles & Tractors

## **PARKING & MOORING (ATA-10)**

Chocks & Covers

## **SERVICING (ATA-12)**

Multi-Purpose Carts  
Hydraulic & Engine Oil Servicing  
& Test Equipment  
Lavatory Servicing Carts  
Potable Water Transport Carts  
Oxygen & Nitrogen Carts  
Oxygen & Nitrogen Boosters

## **AIR CONDITIONING (ATA-21)**

Air Conditioning Equipment  
Coolant System Fill/Drain Carts  
Cabin Pressurization Test Units

## **ELECTRICAL (ATA-24)**

Ground Power Units  
Battery Charger/Analyzer

## **FUEL (ATA-28)**

Fuel Transfer Cart  
Fuel Tools

## **HYDRAULIC POWER (ATA-29)**

Hydraulic Power Units  
Ram Air Turbine (RAT)  
Hydraulic Coupling Hose Adaptors

## **ICE & RAIN PROTECTION (ATA-30)**

Deicer Carts

## **AIRCRAFT TOOLING**

Designed to your Specifications

## **LANDING GEAR (ATA-32)**

Beadbreakers  
Dollies - Wheel & Brake  
Service Tools  
Strut Service Carts  
Regulators, Adaptors,  
Connectors & Gauges

## **FUSELAGE (ATA-53)**

Lifts, Cranes & Hoists  
Maintenance Platforms  
Access Stands  
Docking Systems

## **PROPELLERS (ATA-61)**

Propeller Stands/Slings/Tools

## **POWER PLANT (ATA-71)**

Engine Compressor Washers  
Engine Hoists, Slings & Stands

## **CLOUD BASED FLEET MGT.**

Manage your Repair Station,  
Multi Location Jet Center or  
Small Operation



[www.tronair.com](http://www.tronair.com)

[www.columbusjack.com](http://www.columbusjack.com) | [www.daeind.com](http://www.daeind.com) | [www.datcomedia.com](http://www.datcomedia.com) | [www.eagletugs.com](http://www.eagletugs.com) | [www.malabar.com](http://www.malabar.com)

Sales Offices: USA • Asia/China • Australia/New Zealand/Singapore • Europe/Middle East/Africa

Tronair, Inc. • 1 Air Cargo Pkwy East • Swanton, OH 43558, USA  
Phone: 419-866-6301 | Toll Free: 1-800-426-6301 | Email: [sales@tronair.com](mailto:sales@tronair.com)