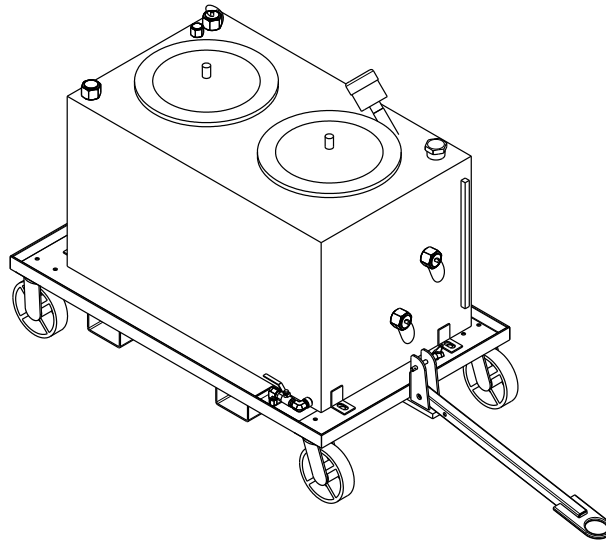




# OPERATION & SERVICE MANUAL



**Models: 06-5080-0500  
06-5080-0600  
Recovery Cart**

12/2024 – Rev. 01

**For Spare Parts, Operations & Service Manuals or Service Needs  
Scan the QR code or visit [Tronair.com/aftermarket](https://www.tronair.com/aftermarket)**



The Tronair Group of Companies: Tronair | EBIS | Columbus Jack | Eagle | Malabar International

**Tronair, Inc.**  
**Tronair, Inc.**  
1 Air Cargo Pkwy East  
Swanton, OH 43558

Phone: (419) 866-6301 | 800-426-6301

Phone: (419) 866-6301 | 800-426-6301  
Web: [www.tronair.com](https://www.tronair.com)  
Email: [sales@tronair.com](mailto:sales@tronair.com)

REVISION  
01

DATE  
07/2013

TEXT AFFECTED  
Original release



**TABLE OF CONTENTS**

	<b><u>PAGE</u></b>
<b>1.0 PRODUCT INFORMATION .....</b>	<b>1</b>
1.1 DESCRIPTION.....	1
1.2 MODEL & SERIAL NUMBER.....	1
1.3 MANUFACTURER .....	1
1.4 SPECIFICATIONS .....	1
<b>2.0 SAFETY INFORMATION .....</b>	<b>1</b>
2.1 USAGE AND SAFETY INFORMATION .....	1
2.2 PERSONAL PROTECTION EQUIPMENT .....	1
2.3 SAFETY GUIDELINES .....	1
2.4 GENERAL COMMENTS .....	1
<b>3.0 PROVISION OF SPARES .....</b>	<b>1</b>
3.1 SOURCE OF SPARE PARTS.....	1
3.2 RECOMMENDED SPARE PARTS LISTS .....	1
<b>4.0 GUARANTEES/LIMITATION OF LIABILITY .....</b>	<b>2</b>



This product can not be modified without the written approval of Tronair, Inc. Any modifications done without written approval voids all warranties and releases Tronair, Inc., its suppliers, distributors, employees, or financial institutions from any liability from consequences that may occur. Only Tronair OEM replacement parts shall be used.

**1.0 PRODUCT INFORMATION**

1.1 DESCRIPTION

The Tronair Recovery Cart is designed to store clean fluid.

1.2 MODEL & SERIAL NUMBER

Reference nameplate on unit

1.3 MANUFACTURER

**TRONAIR, Inc.**  
1 Air Cargo Pkwy East  
Swanton, Ohio 43558 USA

Telephone: (419) 866-6301 or 800-426-6301  
Fax: (419) 867-0634  
E-mail: sales@tronair.com  
Website: www.tronair.com

1.4 SPECIFICATIONS

Tank Capacity ..... 150 gallon  
06-5080-0500 Fluid ..... MIL-PRF-83282  
06-5080-0600 Fluid ..... Hyjet IV/Skydrol Aviation Phosphate Ester  
Air Desiccant Filtration ..... 3 Micron, Silica Desiccant Type, Non-Cleanable Element

**2.0 SAFETY INFORMATION**

2.1 USAGE AND SAFETY INFORMATION

To insure safe operations please read the following statements and understand their meaning. Also refer to your equipment manufacturer’s manual for other important safety information. This manual contains safety precautions which are explained below. Please read carefully.



**WARNING!** — Warning is used to indicate the presence of a hazard that **can cause severe personal injury, death, or substantial property damage** if the warning notice is ignored.

**CAUTION!** — Caution is used to indicate the presence of a hazard that **will or can cause minor personal injury or property damage** if the caution notice is ignored.

2.2 PERSONAL PROTECTION EQUIPMENT

- Safety glasses must be worn when operating the cart.
- Additional equipment recommended by the fluid manufacturer (gloves, etc.). **Reference Safety Data Sheet pertaining to fluid(s).**

2.3 SAFETY GUIDELINES

Operator must be properly trained prior to use.

2.4 GENERAL COMMENTS

The cart is intended to be operated by personnel trained in the proper use in conjunction with the aircraft maintenance manual.

The cart must be used in accordance with the Technical and Operator Manuals and the intended aircraft.

**3.0 PROVISION OF SPARES**

3.1 SOURCE OF SPARE PARTS

Spare parts may be obtained from the manufacturer:

**TRONAIR, Inc.**  
1 Air Cargo Pkwy East  
Swanton, Ohio 43558 USA

Telephone: (419) 866-6301 or 800-426-6301  
Fax: (419) 867-0634  
E-mail: sales@tronair.com  
Website: www.tronair.com



For Spare Parts, Operations & Service Manuals or Service Needs:  
Scan the QR code or visit Tronair.com/aftermarket

3.2 RECOMMENDED SPARE PARTS LISTS

Reference the following page(s) for Replacement Parts and Kits available.



#### 4.0 GUARANTEES/LIMITATION OF LIABILITY

Tronair products are warranted to be free of manufacturing or material defects for a period of one year after shipment to the original customer. This is solely limited to the repair or replacement of defective components. This warranty does not cover the following items:

- a) Parts required for normal maintenance
- b) Parts covered by a component manufacturers warranty
- c) Replacement parts have a 90-day warranty from date of shipment

If you have a problem that may require service, contact Tronair immediately. Do not attempt to repair or disassemble a product without first contacting Tronair, any action may affect warranty coverage. When you contact Tronair be prepared to provide the following information:

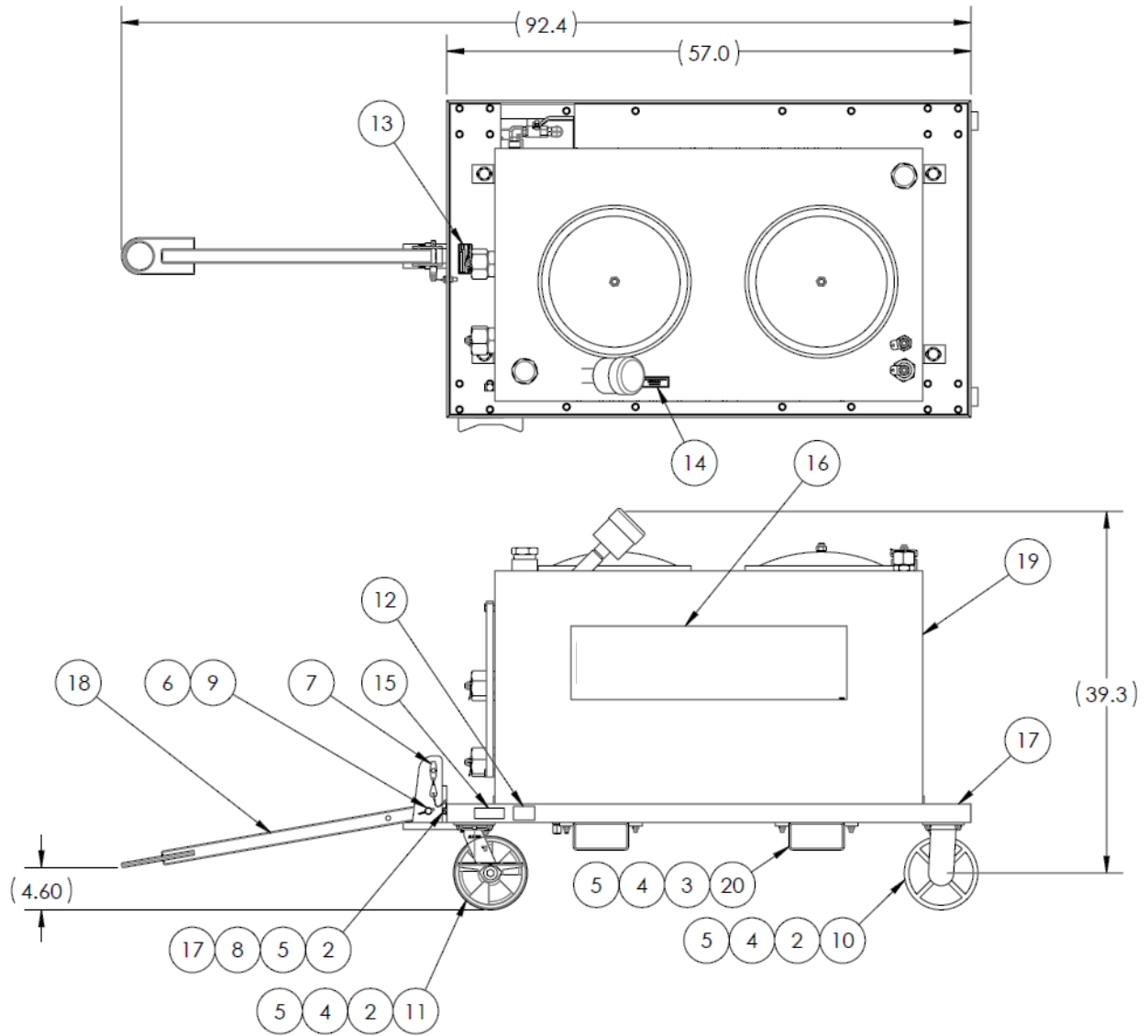
- a) Product Model Number
- b) Product Serial Number
- c) Description of the problem

If warranty coverage is approved, either replacement parts will be sent or the product will have to be returned to Tronair for repairs. If the product is to be returned, a Return Material Authorization (RMA) number will be issued for reference purposes on any shipping documents. Failure to obtain a RMA in advance of returning an item will result in a service fee. A decision on the extent of warranty coverage on returned products is reserved pending inspection at Tronair. Any shipments to Tronair must be shipped freight prepaid. Freight costs on shipments to customers will be paid by Tronair on any warranty claims only. Any unauthorized modification of the Tronair products or use of the Tronair products in violation of cautions and warnings in any manual (including updates) or safety bulletins published or delivered by Tronair will immediately void any warranty, express or implied.

The obligations of Tronair expressly stated herein are in lieu of all other warranties or conditions expressed or implied. **Any unauthorized modification of the Tronair products or use of the Tronair products in violations of cautions and warnings in any manual (including updates) or safety bulletins published or delivered by Tronair will immediately void any warranty, express or implied and Tronair disclaims any and all liability for injury (WITHOUT LIMITATION and including DEATH), loss or damage arising from or relating to such misuse.**

### Parts List

When ordering replacement parts/kits, please specify model, serial number and color of your unit.





## Parts List

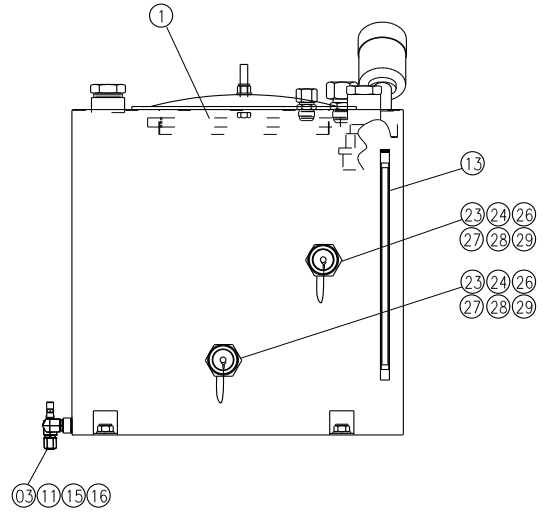
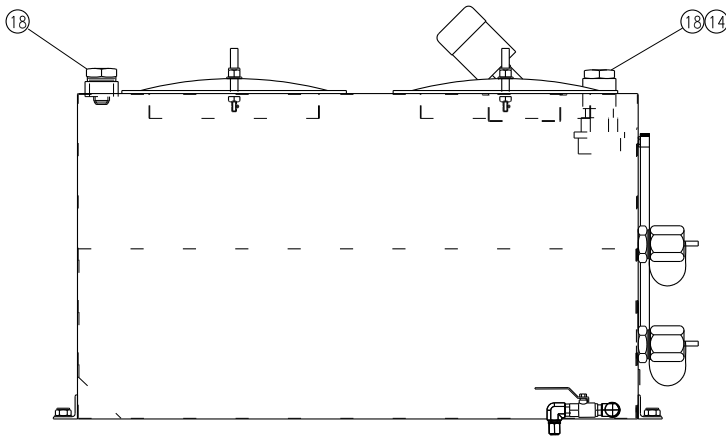
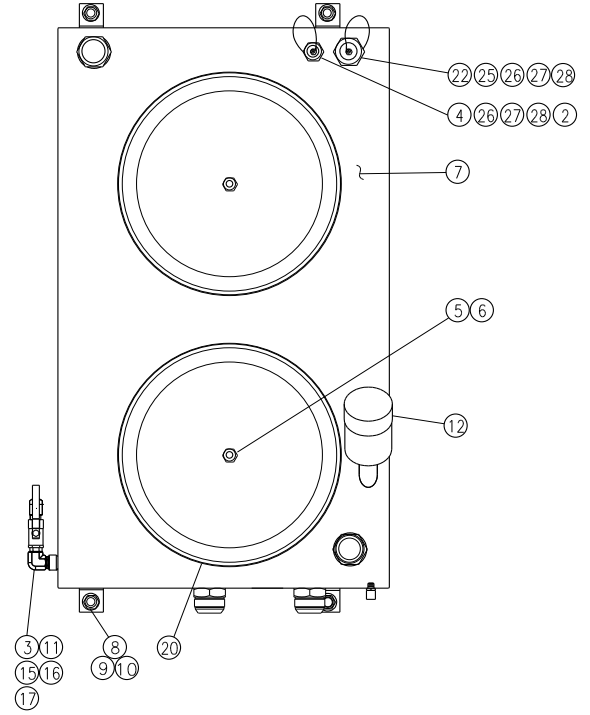
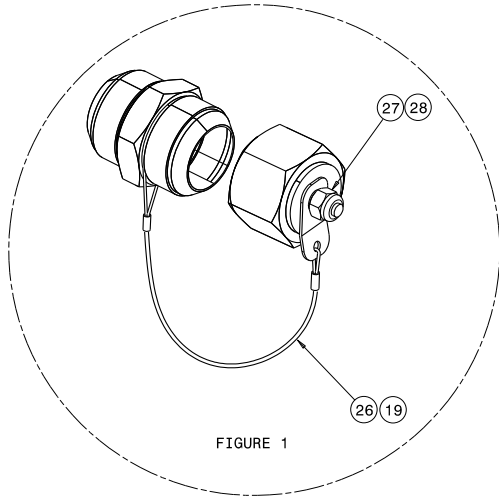
When ordering replacement parts/kits, please specify model, serial number and color of your unit.

**Model Number**            **Fluid Type**  
 06-5080-0500 ..... MIL-PRF-83282  
 06-5080-0600 ..... Aviation Phosphate Ester, Type IV and V

	06-5080-0500	06-5080-0600		
Item	Part Number	Part Number	Description	Qty
2	G-1100-107012	G-1100-107012	BOLT, 3/8-16 X 1-1/4" HEX HD GR 5	17
3	G-1100-107014	G-1100-107014	BOLT, 3/8-16 X 1-1/2" HEX HD GR 5	8
4	G-1202-1070	G-1202-1070	STOPNUT, 3/8-16 ELASTIC	25
5	G-1250-1070N	G-1250-1070N	FLATWASHER, 3/8 NARROW	50
6	G-1301-03	G-1301-03	PIN, 1/8 X 1-1/2 LG COTTER	2
7	G-1310-0823	G-1310-0823	PIN, 1/2 X 2.25 BALL LOK-T	1
8	H-2653	H-2653	LANYARD	1
9	R-2796	R-2796	PIN, TOWBAR	1
10	U-1093	U-1093	CASTER, RIGID, 8	2
11	U-1168	U-1168	CASTER, SWIVEL WITH BRAKE	2
12	V-1001	V-1001	LABEL, MADE IN USA	1
13	V-1003	V-1003	LABEL, SERIAL NO.	1
14	V-1916	V-1916	LABEL, HC-1763 FTR RPMT	1
15	V-2356	V-2356	LABEL, TRONAIR	1
16	V-3062		LABEL, MIL-PRF-83282	2
16		V-2078	LABEL, SKYDROL	2
17	Z-8135-00	Z-8135-00	WELDMENT, BASE	1
18	Z-8155-00	Z-8155-00	WELDMENT, TOWBAR	1
19	Z-8164-B	Z-8164	ASY, 150 GALLON RESERVOIR	1
20	Z-8169-00	Z-8169-00	WELDMENT, FORKLIFT TUBE	2

### Parts List – Z-8164

When ordering replacement parts/kits, please specify model, serial number and color of your unit.



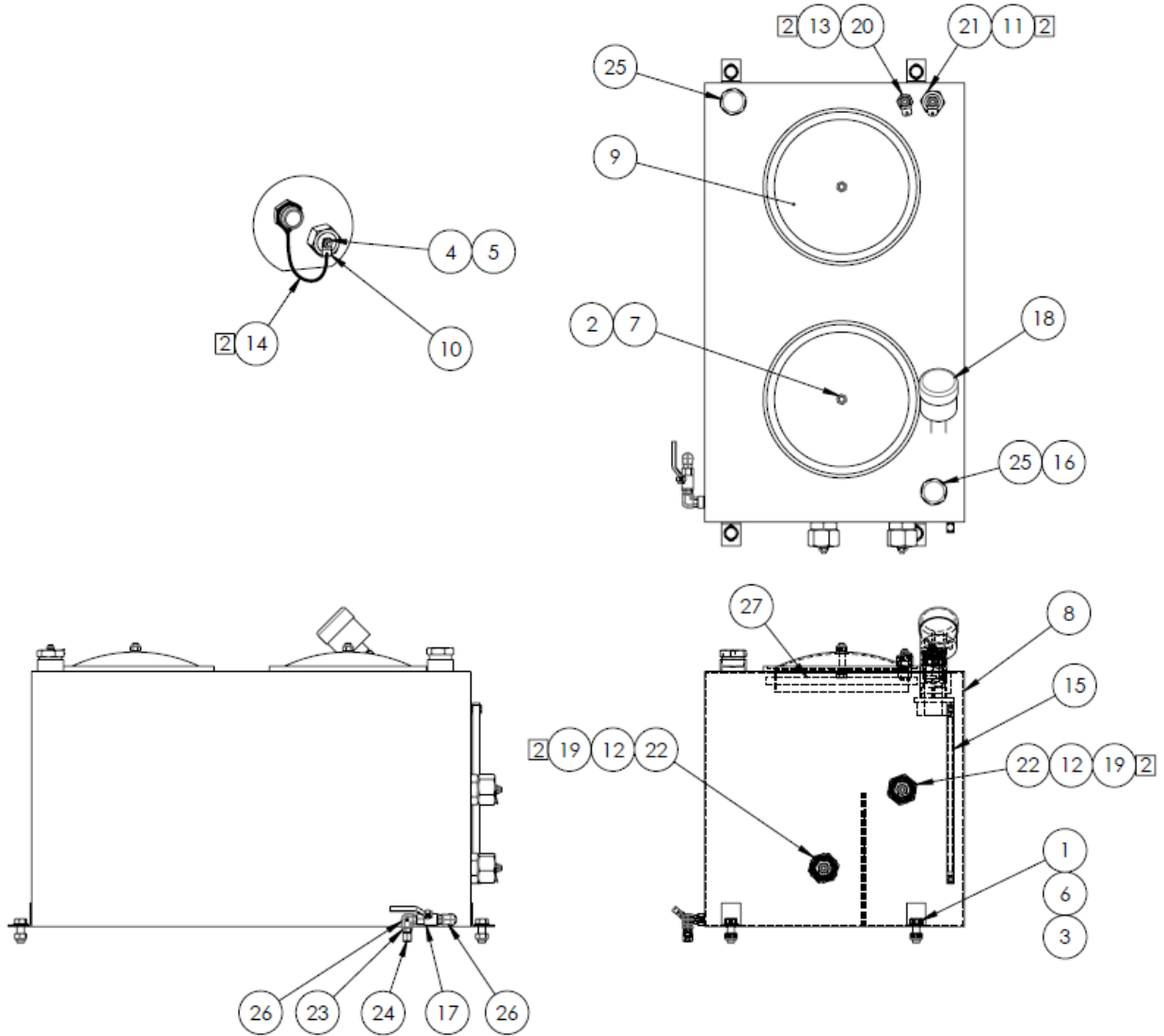
**Parts List – Z-8164**

When ordering replacement parts/kits, please specify model, serial number and color of your unit.

Item	Part Number	Description	Qty
1	Z-5337	WELDMENT, CLAMP	2
2	N-2000-10-S	NUT, 37° FLARE, #16	1
3	N-2008-06-S	CAP, #8	1
4	H-3675	CAP, MOUNTIE (-16)	1
5	H-1735-02	WASHER, NYLON	2
6	G-1202-1100	ESN, 5/8 - 11	2
7	H-2553	RESERVOIR, 150 GALLON (SS)	1
8	G-1100-111520	BOLT, HH FR 5, 3/4 - 16 X 2 LONG	4
9	G-1250-1110N	FLATWASHER, ¾ NARROW	8
10	G-1202-1115	ESN, 3/4 - 16	4
11	N-2661-03-S-E	ELBOW, STRAIGHT THREAD	2
12	HC-1763	FILTER, DESICCANT	1
13	HC-1383-18	GAUGE, SIGHT	1
14	HC-1542	STRAINER, NIPPLE STYLE	1
15	N-2007-11-S-e	CONNECTOR, STRAIGHT THREAD, #8 SAE X #8 JIC	1
16	HC-1761	VALVE, BALL, SAE #8 LOCKABLE	1
17	HC-2013-608	O-RING, SERIES 3	1
18	N-2206-09-S	PLUG, HH 2" NPT	2
19	H-3706	KIT, LANYARD	1
20	H-2562	ASSEMBLY, COVER	2
21	S-1784	TAB, RESERVOIR MOUNTING	4
22	H-3670	CAP, MOUNTIE #24	1
23	H-3671	CAP, MOUNTIE #32	1
24	N-2000-13-S	NUT, 37° FLARE, #32	1
25	N-2000-12-S	NUT, 37° FLARE, #24	1
26	H-3476	ASSEMBLY, LANYARD	4
27	G-1203-1095	ESN, 1/2	4
28	G-1250-1090N	FLATWASHER, ½ NARROW	4
29	HC-1951-32	SEAL, CONICAL #32	2

### Parts List – Z-8164-B

When ordering replacement parts/kits, please specify model, serial number and color of your unit.





### Parts List – Z-8164-B

When ordering replacement parts/kits, please specify model, serial number and color of your unit.

Item	Part Number	Description	Qty
1	G-1100-111520	BOLT, 3/4-16 X 2.0" HEX HD GR 5	4
2	G-1202-1100	STOPNUT, 5/8-11 ELASTIC	2
3	G-1202-1115	STOPNUT, 3/4-16 ELASTIC	4
4	G-1203-1095	JAMNUT, 1/2-20 ELASTIC	4
5	G-1250-1090N	FLATWASHER, 1/2 NARROW	4
6	G-1250-1110N	FLATWASHER, 3/4 NARROW	4
7	H-1735-02	WASHER, NYLON	2
8	H-2553	RESERVOIR, 150 GALLON (SS)	1
9	H-2560	ASSEMBLY, COVER	2
10	H-3476	ASSEMBLY, LANYARD	4
11	H-3670	CAP, MOUNTIE #24	1
12	H-3671	CAP, MOUNTIE, #32	2
13	H-3675	CAP, MOUNTIE #16	1
14	H-3706	KIT, LANYARD	1
15	HC-1383-18	GAUGE, SIGHT	1
16	HC-1542	STRAINER, NIPPLE STYLE	1
17	HC-1761	VALVE, BALL, #8 LOCKABLE	1
18	HC-1763	FILTER, DESICCANT	1
19	HC-1951-32	SEAL, CONICAL, #32	2
20	N-2000-10-S	NUT, #16 JIC X 37 DEG	1
21	N-2000-12-S	NUT, 37 DEG FLARE	1
22	N-2000-13-S	NUT, #32 JIC X 37 DEG	2
23	N-2007-11-S-B	ADAPTER, -08 JIC M X -08 ORB M	1
24	N-2008-06-S	CAP, #8	1
25	N-2206-09-S	PLUG, HEX HEAD	2
26	N-2661-03-S-B	ELBOW, STRAIGHT THREAD	2
27	Z-5337	WELDMENT, CLAMP	2