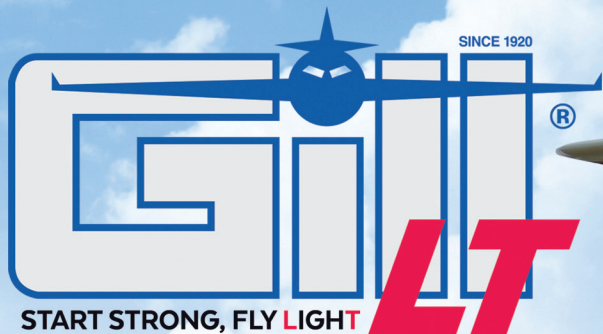


EXTREME CRANKING

7242-14

Sealed Aircraft Battery, VRLA, LT Technology, 24V, 14Ah



SPECIFICATIONS			
Model	7242-14		
Nominal Voltage, V	24		
One Hour Capacity, C1, Ah	14		
30 Minute Emergency Rate, C/2, A	22		
Weight, Lb. Maximum	28.90		
Power Performance	23°C (75°F)	-18°C (0°F)	-30°C (-22°F)
I _{pp} , A	1200	720	512
I _{pr} , A	270	230	220



7242-14
AVAILABLE NOW,
AT DISTRIBUTORS

Upgrade to the Next Generation of Lead-Acid Technology!

- ✓ TSO Authorized
- ✓ DO-160E Tested
- ✓ Sealed, VRLA, Non-Spillable
- ✓ 18 Month/1800 Hour Capacity Check Inspection
- ✓ 2 Year Warranty
- ✓ FAA-PMA

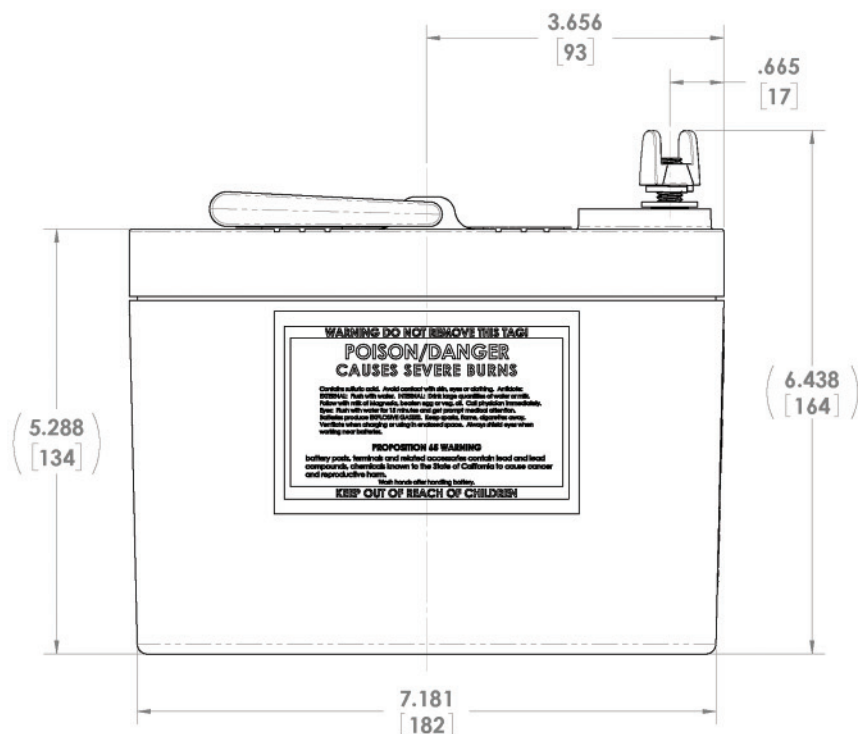
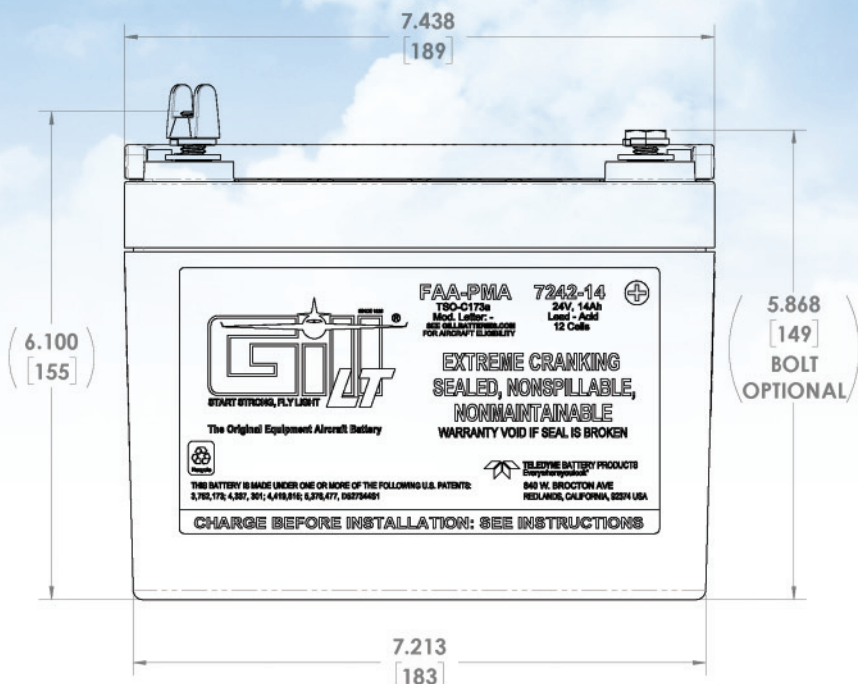


EXTREME CRANKING



7242-14

AVAILABLE NOW AT DISTRIBUTORS



FAA-PMA APPROVED	
MAKE	MODEL
Cessna	F152, FA152, F172N, FR172K, FR182Q, FR182, 152, A152, 172N, R172K, 177B, 177RG, 180K, 182Q, R182, A185F, A188B, T188C, T206H, TU206G, U206G, 207A, T207A, 210M, 210N, 210R, P210N, T210M, T210N, T210R, 337H, FT337HP, P337H, T337H, T337H-SP
Beechcraft	C23, C24R, F33C, V35B, A36, G36, D55, D55A, E55, E55A, 58TC, 58TCA, 76, 95-55, 95-A55, 95-B55, 95-B55A
Mooney	M20J, M20K
Piper	PA-31, PA-31-300, PA-31-325, PA-31-350, PA-36-285, PA-36-300
Robinson Helicopter	R-44, R-44 II
Socata	TB9, TB10, TB20, TB21, TB200

No STC's or modifications required for any of the models listed

