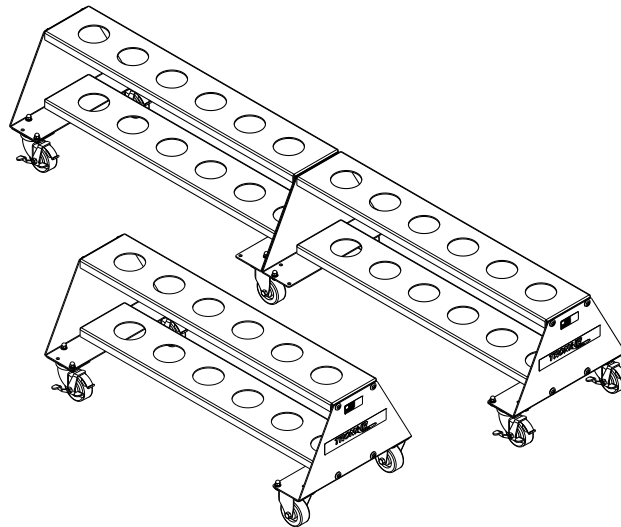




# OPERATION & SERVICE MANUAL



**Model: 01-1954-6000**  
**01-1954-6002**  
**Towbar Head Storage Rack**

10/2007 – Rev. 02

REVISION	DATE	TEXT AFFECTED
OR	11/2004	Original Release
01	10/2005	Added model 01-1954-6002
02	10/2007	Modified 1.0 Description and 1.1 Specifications



**TABLE OF CONTENTS**

	<b><u>PAGE</u></b>
<b>1.0 PRODUCT INFORMATION.....</b>	<b>1</b>
1.1 DESCRIPTION.....	1
1.2 MODEL & SERIAL NUMBER.....	1
1.3 MANUFACTURER.....	1
1.4 SPECIFICATIONS.....	1
<b>2.0 ASSEMBLY.....</b>	<b>1</b>
2.1 ASSEMBLY TOOLS REQUIRED.....	1
2.2 01-1954-6000 ASSEMBLY.....	2
2.3 01-1954-6002 ASSEMBLY.....	4
<b>3.0 PROVISION OF SPARES.....</b>	<b>6</b>
3.1 SOURCE OF SPARE PARTS.....	6
3.2 RECOMMENDED SPARE PARTS LISTS.....	6
<b>4.0 IN-SERVICE SUPPORT.....</b>	<b>6</b>
<b>5.0 GUARANTEES/LIMITATION OF LIABILITY.....</b>	<b>6</b>

Tronair towbars/heads must only be used with matching Tronair heads/towbars, and Tronair shear pins.

This product can not be modified without the written approval of Tronair, Inc. Any modifications done without written approval voids all warranties and releases Tronair, Inc., its suppliers, distributors, employees, or financial institutions from any liability from consequences that may occur. Only Tronair OEM replacement parts shall be used.

**1.0 PRODUCT INFORMATION**

**1.1 DESCRIPTION**

The Towbar Head Storage Racks are constructed of stainless steel and includes swivel and rigid casters for ease of movement. The 01-1954-6000 Towbar Head Storage Rack has two ridged and two lockable swivel casters and holds up to six Tronair 500 series multi-heads. The 01-1954-6002 Towbar Head Storage Rack has two lockable swivel casters on both ends and two ridged casters in the middle, this prevents movement once the rack is in position. The 01-1954-6002 Towbar Head Storage Rack holds up to twelve Tronair 500 and 800 series multi-heads.

**1.2 MODEL & SERIAL NUMBER**

Reference nameplate on unit

**1.3 MANUFACTURER**

**TRONAIR**, Inc.  
1 Air Cargo Pkwy East  
Swanton, Ohio 43558 USA

Telephone: (419) 866-6301 or 800-426-6301  
Fax: (419) 867-0634  
E-mail: sales@tronair.com  
Website: www.tronair.com

**1.4 SPECIFICATIONS**

Application..... Designed for use with Tronair 500 and 800 series multi-heads

	<b>01-1954-6000</b>	<b>01-1954-6002</b>
Capacity .....	300 lbs (136 kg)	550 lbs (249 kg)
Length .....	36 5/8 in (93.0 cm)	73 3/8 in (186.37 cm)
Width .....	16 in (40.6 cm)	16 in (40.6 cm)
Height.....	13 7/8 in (35.2 cm)	13 7/8 in (35.2 cm)
Weight: .....	34 lbs (15.4 kg)	67 lbs (30 kg)
Material .....	Stainless Steel	

**2.0 ASSEMBLY**

**2.1 ASSEMBLY TOOLS REQUIRED**

- Socket Wrench
- Socket Wrench Extension
- 7/16 inch Socket
- 7/16 inch Box End Wrench
- Phillips Head Screwdriver

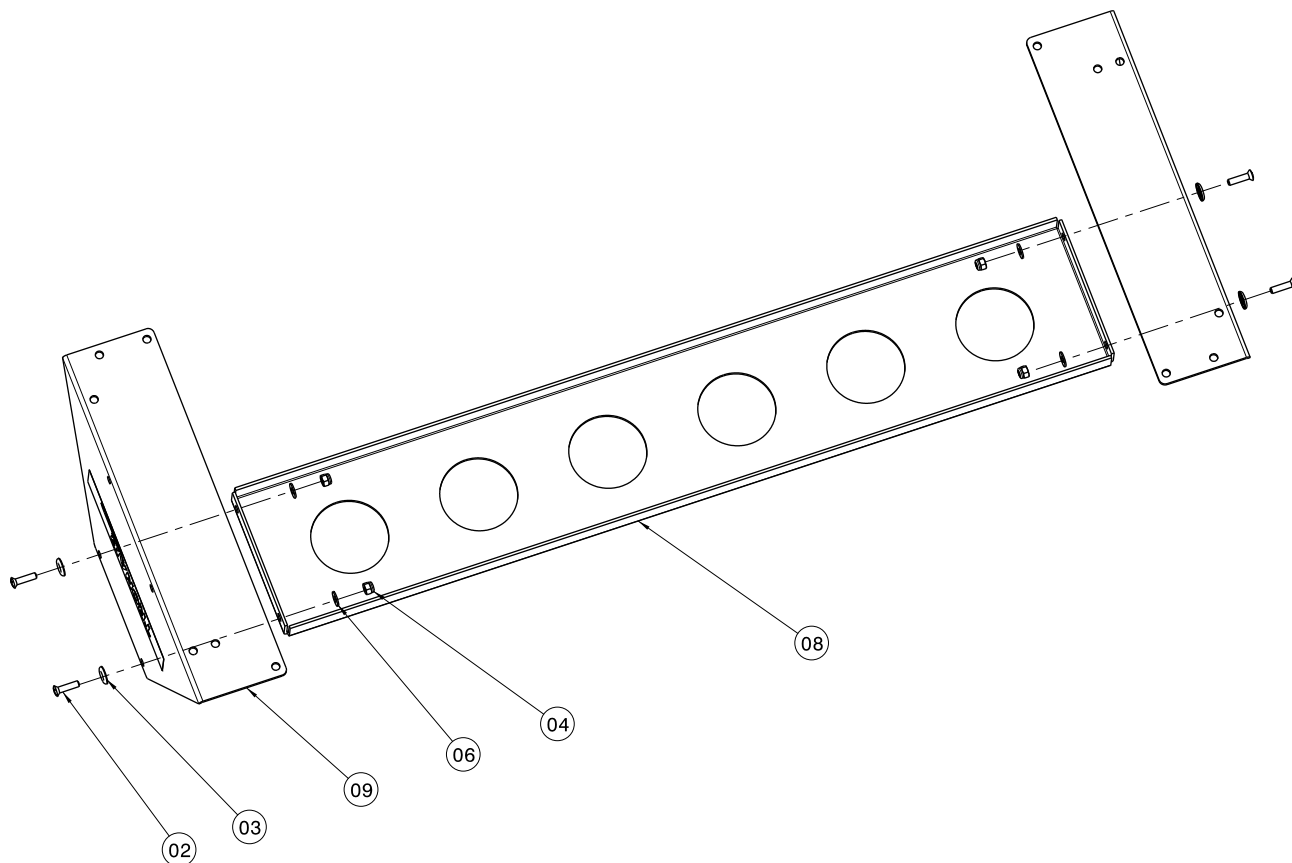


2.2 01-1954-6000 ASSEMBLY

Using a Phillips head screwdriver and a socket wrench with a 7/16 inch socket, assemble item 9 to item 8 with items 2,3,4, and 6 as shown.

**Parts List**

When ordering replacement parts/kits, please specify model, serial number and color of your unit.



Item	Part Number	Description	Qty
1	G-1112-105006	Bolt, Hex Head, ¼ - 20 x ¾ in long	8
2	G-1158-106110	Screw, Oval Head Machine, ¼ - 20 x 1 in long	8
3	G-1489	Washer, Finish	8
4	G-1501-1050	Stopnut, ¼ -20 Elastic	8
5	G-1502-1050R	Lockwasher, ¼ in	8
6	G-1503-1050N	Flatwasher, ¼ in	24
7	G-1512-1050	Nut, ¼ - Acorn	8
8	S-1981	Shelf, Towbar Rack	2
9	S-1982	End, Towbar Rack	2
10	U-1118	Caster, Rigid	2
11	U-1115	Caster, Swivel with Wheel Lock	2

2.2 01-1954-6000 ASSEMBLY (continued)

Add the socket extension to the socket wrench and assemble the second item 8 with items 2, 3, 4, and 6 as shown in Figure 2.

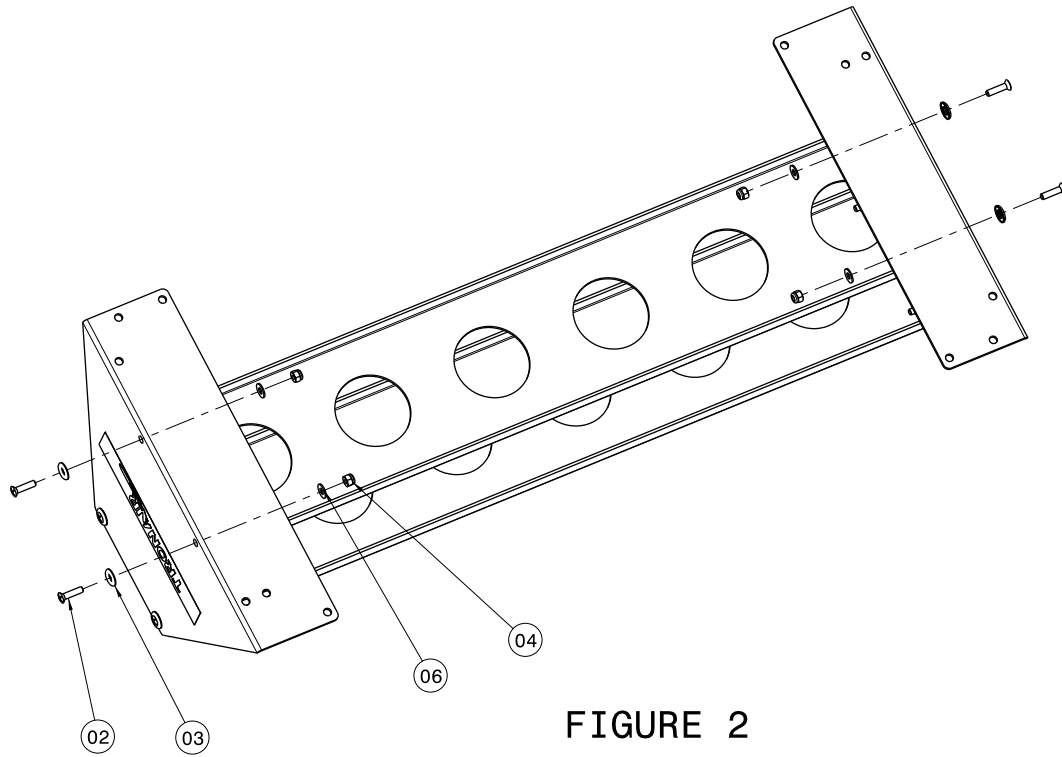


FIGURE 2

Using the socket wrench and the box end wrench, assemble items 10 and 11 using items 1, 5, 6, and 7 as shown in Figure 3.

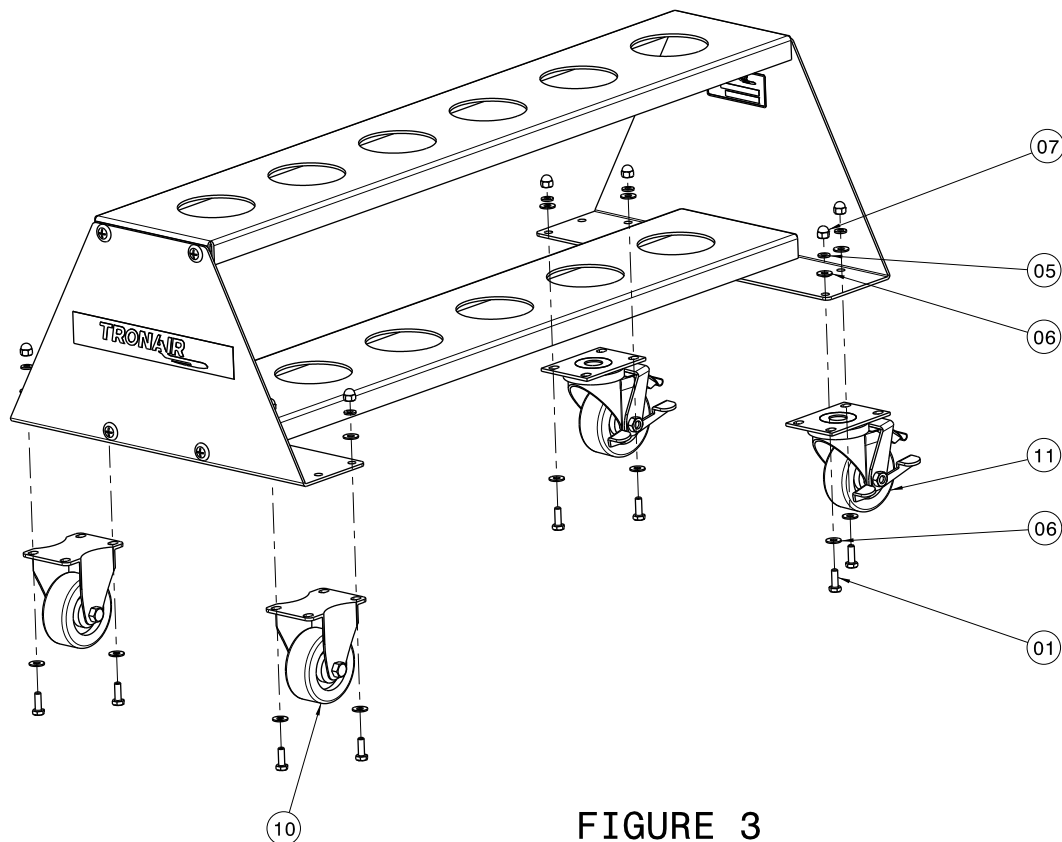


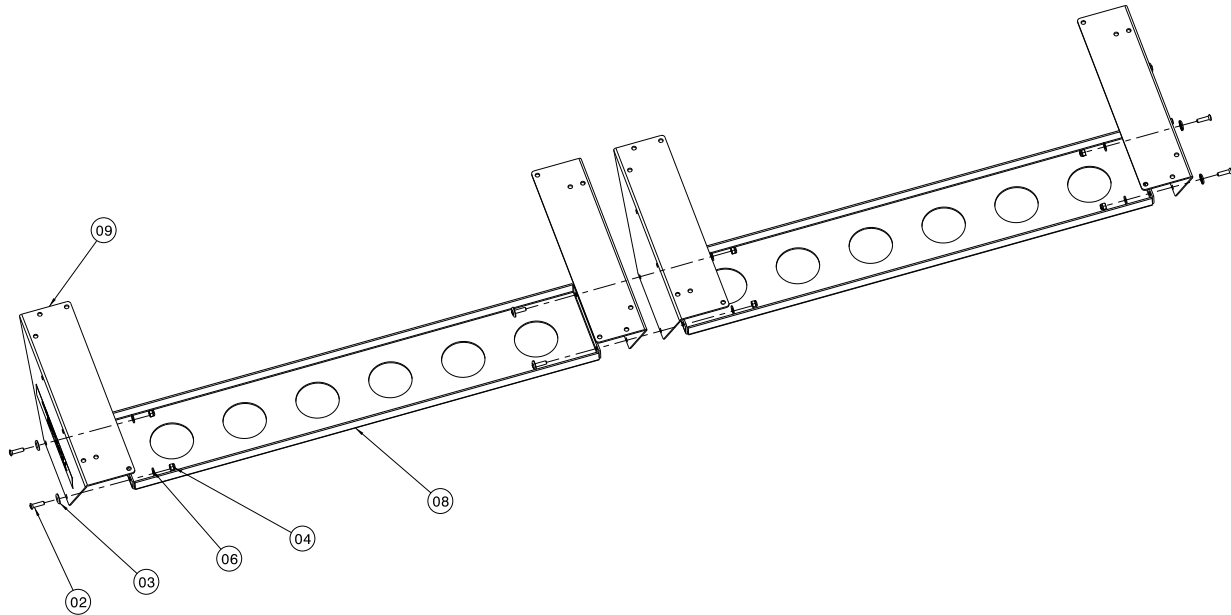
FIGURE 3

2.3 01-1954-6002 ASSEMBLY

Using a Phillips head screwdriver and a socket wrench with a 7/16 inch socket, assemble item 9 to item 8 with items 2,3,4, and 6 as shown.

**Parts List**

When ordering replacement parts/kits, please specify model, serial number and color of your unit.



Item	Part Number	Description	Qty
1	G-1112-105006	Bolt, Hex Head, ¼ - 20 x ¾ in long	8
2	G-1158-106110	Screw, Oval Head Machine, ¼ - 20 x 1 in long	12
3	G-1489	Washer, Finish	12
4	G-1501-1050	Stopnut, ¼ -20 Elastic	12
5	G-1502-1050R	Lockwasher, ¼ in	12
6	G-1503-1050N	Flatwasher, ¼ in	40
7	G-1512-1050	Nut, ¼ - Acorn	12
8	S-1981	Shelf, Towbar Rack	4
9	S-1982	End, Towbar Rack	4
10	U-1118	Caster, Rigid	2
11	U-1115	Caster, Swivel with Wheel Lock	4

2.3 01-1954-6002 ASSEMBLY (continued)

Add the socket extension to the socket wrench and assemble the second item 8 with items 2, 3, 4, and 6 as shown

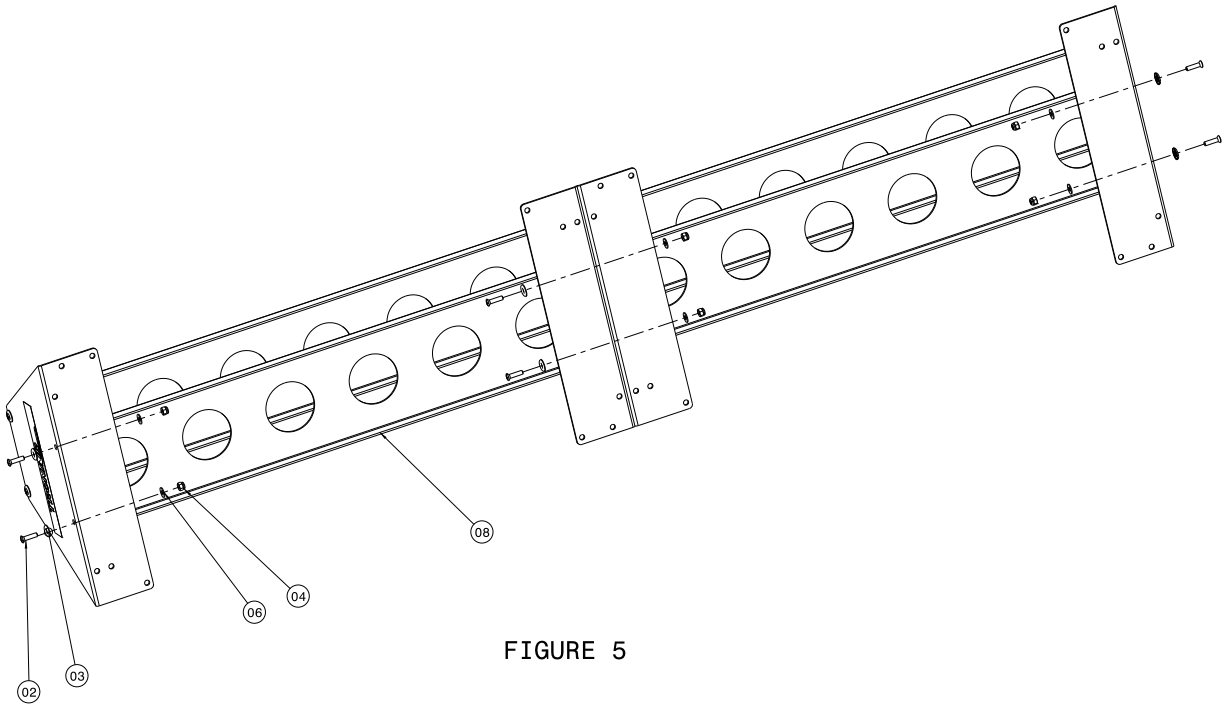


FIGURE 5

in Figure 5.

Using the socket wrench and the box end wrench, assemble items 10 and 11 using items 1, 5, 6, and 7 as shown in Figure 6.

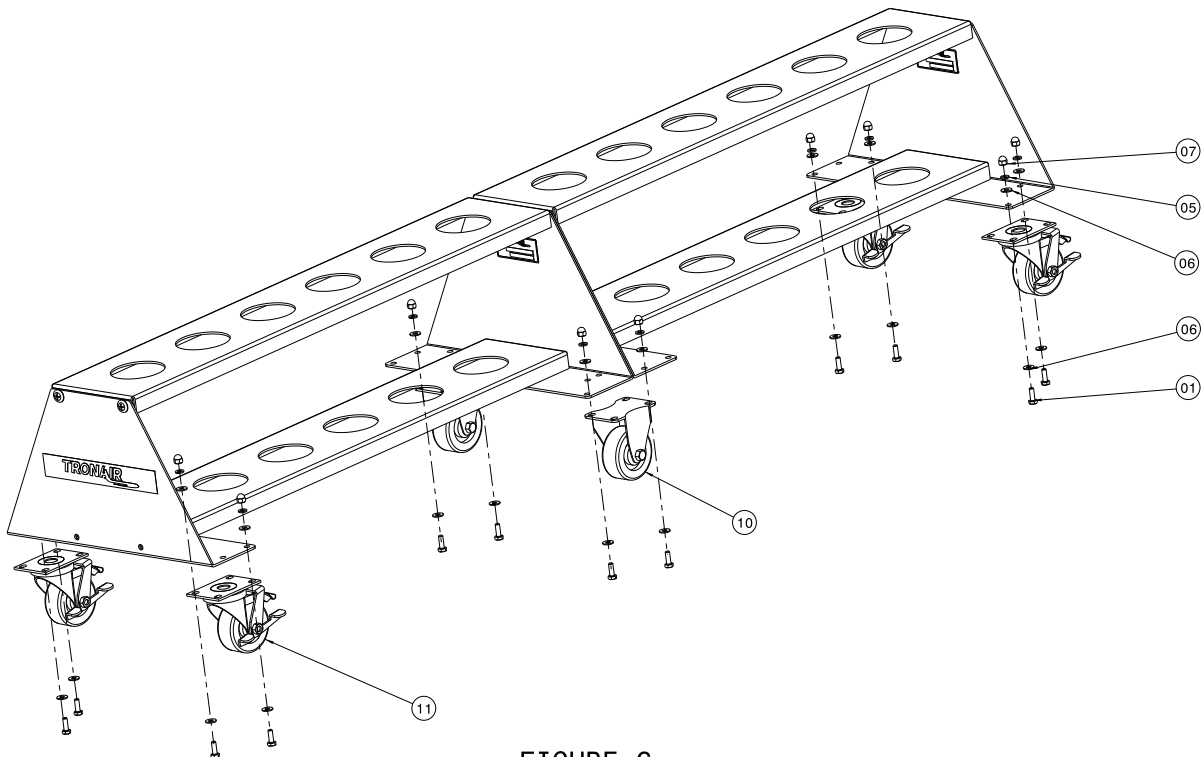


FIGURE 6



### 3.0 PROVISION OF SPARES

#### 3.1 SOURCE OF SPARE PARTS

Spare parts may be obtained from the manufacturer:

**TRONAIR**, Inc.

1 Air Cargo Pkwy East

Swanton, Ohio 43558 USA

Telephone: (419) 866-6301 or 800-426-6301

Fax: (419) 867-0634

E-mail: sales@tronair.com

Website: www.tronair.com

For Spare Parts, Operations & Service Manuals or Service Needs:

Scan the QR code or visit Tronair.com/aftermarket

#### 3.2 RECOMMENDED SPARE PARTS LISTS

Reference the following page(s) for Replacement Parts and Kits available.

Part Number	Description
U-1118	CASTER, RIGID
U-1115	CASTER, SWIVEL W/ WHEEL LOCK

### 4.0 IN-SERVICE SUPPORT

Contact Tronair, Inc. for technical services and information. See Section 1.3 – Manufacturer.

### 5.0 GUARANTEES/LIMITATION OF LIABILITY

Tronair products are warranted to be free of manufacturing or material defects for a period of one year after shipment to the original customer. This is solely limited to the repair or replacement of defective components. This warranty does not cover the following items:

- a) Parts required for normal maintenance
- b) Parts covered by a component manufacturers warranty
- c) Replacement parts have a 90-day warranty from date of shipment

If you have a problem that may require service, contact Tronair immediately. Do not attempt to repair or disassemble a product without first contacting Tronair, any action may affect warranty coverage. When you contact Tronair be prepared to provide the following information:

- a) Product Model Number
- b) Product Serial Number
- c) Description of the problem

If warranty coverage is approved, either replacement parts will be sent or the product will have to be returned to Tronair for repairs. If the product is to be returned, a Return Material Authorization (RMA) number will be issued for reference purposes on any shipping documents. Failure to obtain a RMA in advance of returning an item will result in a service fee. A decision on the extent of warranty coverage on returned products is reserved pending inspection at Tronair. Any shipments to Tronair must be shipped freight prepaid. Freight costs on shipments to customers will be paid by Tronair on any warranty claims only. Any unauthorized modification of the Tronair products or use of the Tronair products in violation of cautions and warnings in any manual (including updates) or safety bulletins published or delivered by Tronair will immediately void any warranty, express or implied.

The obligations of Tronair expressly stated herein are in lieu of all other warranties or conditions expressed or implied. **Any unauthorized modification of the Tronair products or use of the Tronair products in violations of cautions and warnings in any manual (including updates) or safety bulletins published or delivered by Tronair will immediately void any warranty, express or implied and Tronair disclaims any and all liability for injury (WITHOUT LIMITATION and including DEATH), loss or damage arising from or relating to such misuse.**