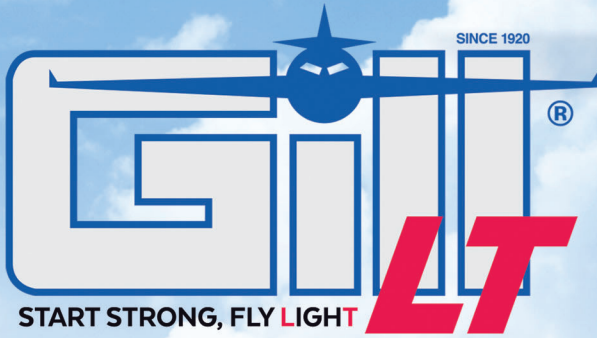


**HELICOPTER**

# 7407-28

## Sealed Aircraft Battery, VRLA, LT Technology, 24V, 28Ah



SPECIFICATIONS			
Model	7407-28		
Nominal Voltage, V	24		
One Hour Capacity, C1, Ah	28		
30 Minute Emergency Rate, C/2, A	45		
Weight, Lb. Maximum	66.50		
Power Performance	23°C (75°F)	-18°C (0°F)	-30°C (-22°F)
	Ipp, A	1599	1100
Ipr, A	1088	840	600



**7407-28**  
AVAILABLE NOW,  
AT DISTRIBUTORS

### Upgrade to the Next Generation of Lead-Acid Technology!

- ✓ TSO Authorized
- ✓ DO-160E Tested
- ✓ Sealed, VRLA, Non-Spillable
- ✓ 18 Month/1800 Hour Capacity Check Inspection
- ✓ 2 Year Warranty
- ✓ FAA-PMA
- ✓ EASA

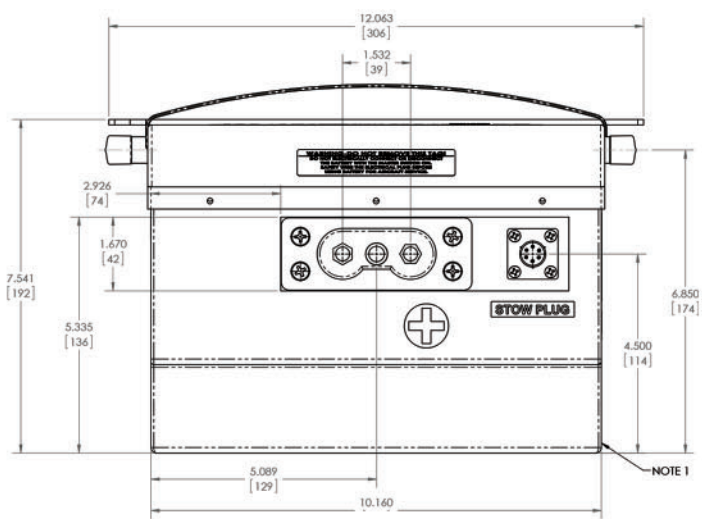
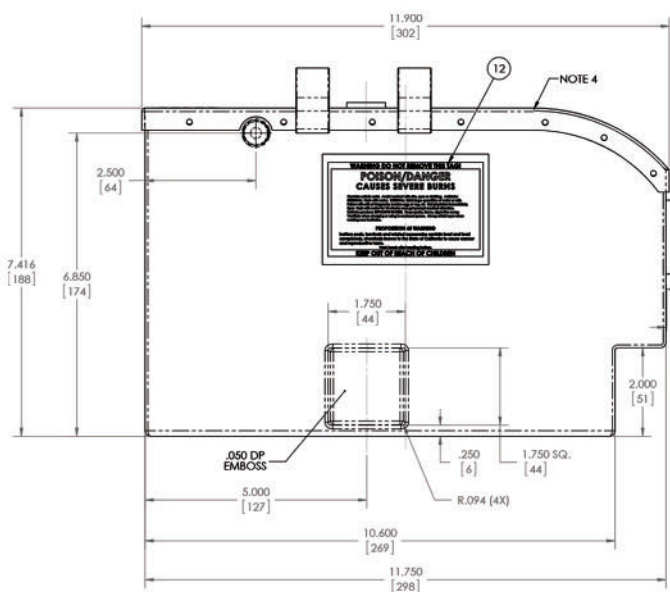
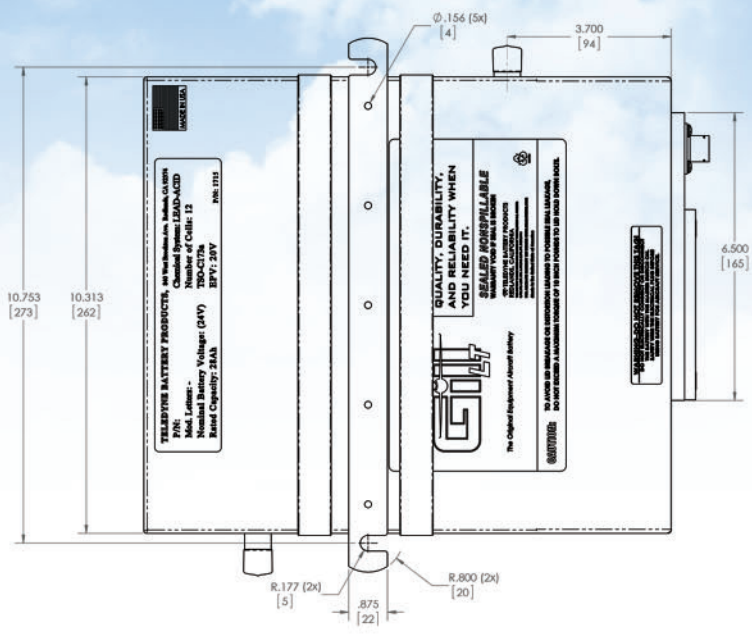


**HELICOPTER**



# 7407-28

AVAILABLE NOW AT DISTRIBUTORS



FAA-PMA APPROVED		
MAKE	MODEL	STC KIT
Bell	407	SRO083IDE
	407GX, 407GXP (Commercial Designation, OEM)	NR

NR: Not Required

