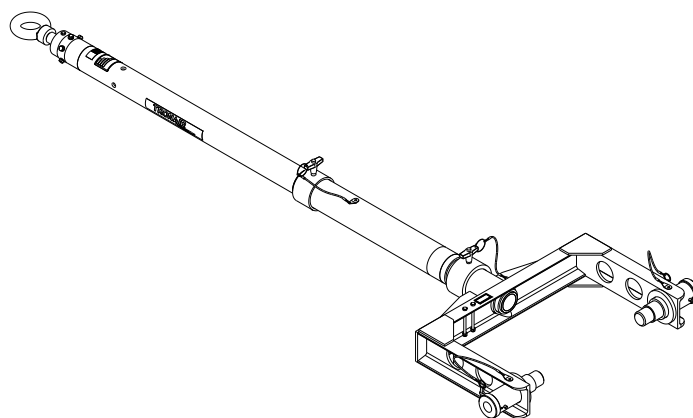




# OPERATION & SERVICE MANUAL



**Model: 01-1261-0000**  
**Portable Towbar**  
**Gulfstream GV**



07/2009 – Rev. 04

REVISION	DATE	TEXT AFFECTED
04	07/2009	Modified Parts List



**TABLE OF CONTENTS**

	<b><u>PAGE</u></b>
<b>1.0 PRODUCT INFORMATION .....</b>	<b>1</b>
1.1 DESCRIPTION.....	1
1.2 MODEL & SERIAL NUMBER.....	1
1.3 MANUFACTURER.....	1
1.4 SPECIFICATIONS .....	1
1.5 FEATURES.....	1
<b>2.0 SAFETY INFORMATION.....</b>	<b>2</b>
2.1 USAGE AND SAFETY INFORMATION .....	2
<b>3.0 TRAINING.....</b>	<b>2</b>
3.1 TRAINING REQUIREMENTS .....	2
3.2 TRAINING PROGRAM .....	2
3.3 OPERATOR TRAINING .....	2
<b>4.0 OPERATION.....</b>	<b>3</b>
4.1 TOWBAR CHECKLIST .....	3
4.1.1 Towbar.....	3
4.1.2 Towing Head.....	3
4.2 USAGE PROCEDURE.....	3
4.2.1 Aircraft Attachment.....	3
4.2.2 Tug Attachment.....	3
4.2.3 Couplers.....	4
4.2.4 Towing Operation.....	4
<b>5.0 PROVISION OF SPARES.....</b>	<b>5</b>
5.1 SOURCE OF SPARE PARTS.....	5
5.2 RECOMMENDED SPARE PARTS LISTS .....	5
<b>6.0 IN-SERVICE SUPPORT.....</b>	<b>5</b>
<b>7.0 GUARANTEES/LIMITATION OF LIABILITY .....</b>	<b>5</b>
<b>8.0 APPENDICES .....</b>	<b>5</b>

Tronair towbars/heads must only be used with matching Tronair heads/towbars, and Tronair shear pins.

This product can not be modified without the written approval of Tronair, Inc. Any modifications done without written approval voids all warranties and releases Tronair, Inc., its suppliers, distributors, employees, or financial institutions from any liability from consequences that may occur. Only Tronair OEM replacement parts shall be used.

**1.0 PRODUCT INFORMATION**

**1.1 DESCRIPTION**

The Tronair Model 01-1261-0000 Portable Towbar is a lightweight, carry-on towbar for the Gulfstream GV Aircraft manufactured by Gulfstream Aerospace Corporation.

The portable towbar separates for compact storage. It interfaces to the aircraft by machined pins. It provides overload protection to the landing gear by use of a shear pin and incorporates shock protection after the shear pin breaks.

**1.2 MODEL & SERIAL NUMBER**

Reference nameplate on unit

**1.3 MANUFACTURER**

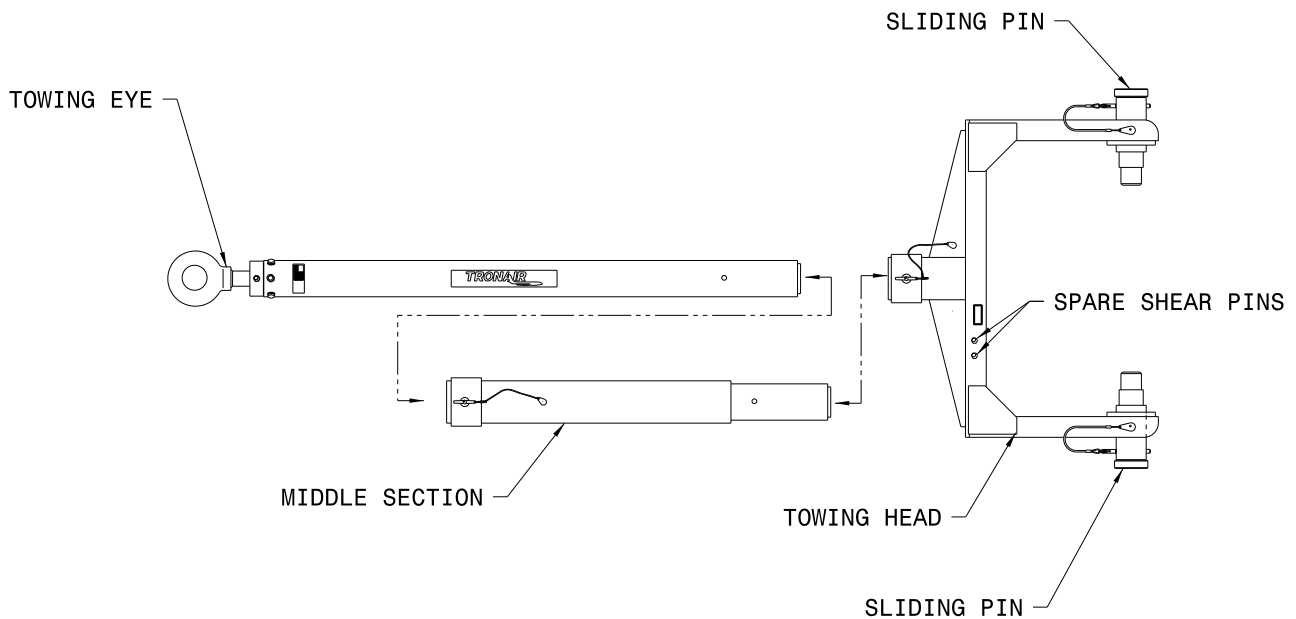
**TRONAIR**, Inc.  
1 Air Cargo Pkwy East  
Swanton, Ohio 43558 USA

Telephone: (419) 866-6301 or 800-426-6301  
Fax: (419) 867-0634  
E-mail: sales@tronair.com  
Website: www.tronair.com

**1.4 SPECIFICATIONS**

Aircraft Application .....	Gulfstream GV manufactured by Gulfstream Aerospace Corporation
Maximum Aircraft Gross Weight.....	89,400 lbs (40.6 Metric tons)
Length .....	86 5/16 in (219.2 cm) From eyebolt centerline to aircraft attachment centerline including middle section
	62 5/16 in (158.3 cm) From eyebolt centerline to aircraft attachment centerline excluding middle section
Width .....	31 3/8 in (79.7 cm)
Height.....	6 in (15.2 cm)
Weight .....	55.5 lbs (25.18 kg)
Finish.....	Blue Powder Coat

**1.5 FEATURES**



**2.0 SAFETY INFORMATION**

**2.1 USAGE AND SAFETY INFORMATION**

The Tronair Model 01-1261-0000 Portable Towbar is to be used for moving the Gulfstream GV aircraft only.

To ensure safe operation, please read the following statements and understand their meaning. This manual contains safety precautions which are explained as follows. Please read carefully.



**WARNING!** Warning is used to indicate the presence of a hazard that can cause **severe personal injury, death, and/or substantial property damage** if the Warning Notice is ignored.

**CAUTION!** Caution is used to indicate the presence of a hazard which will or can **cause minor personal injury or property damage** if the Caution Notice is ignored.

**3.0 TRAINING**

**3.1 TRAINING REQUIREMENTS**

The employer of the operator is responsible for providing a training program sufficient for the safe operation of the towbar.

**3.2 TRAINING PROGRAM**

The employer provided operator training program should cover safety procedures concerning use of the towbar in and around the aircraft at the servicing location.

**3.3 OPERATOR TRAINING**

The operator training should provide the required training for safe operation of the towbar.

**NOTE: Maintenance and Trouble Shooting are to be performed by the skilled and trained technician.**

**4.0 OPERATION**

**4.1 TOWBAR CHECKLIST**

**4.1.1 Towbar**

- Inspect shear pin. If shear bolt is bent or broken remove towbar from service and contact Tronair for replacement.



**WARNING!**

**Towing an aircraft using a towbar with a broken or missing shear pin may cause damage to the aircraft**

- Check lunette for bending, excessive wear and deformity. Replace as required.
- Check ball lok-T pins on middles and towing head sections. Ensure they are not missing and are connected to the head weldments via their lanyards. Replace as required.

**4.1.2 Towing Head**

- Inspect welds between head rail and connector tube housing for cracks. If located, remove towbar from service and contact Tronair for repair/replacement.
- Inspect welds between side rails and wear sleeves for cracks. If located, remove towbar from service and contact Tronair for repair/replacement.
- Inspect welds between side rails and stationary pin and sliding pin wear sleeve for cracks. If located, remove towbar from service and contact Tronair for repair/replacement.
- Inspect sliding pins for bending, cracks, and excessive wear. Ensure sliding pins move freely. Replace as required.
- Check sliding pin ball lok-T pins. Ensure they are not missing and are connected to the head weldments via their lanyards. Replace as required.
- Check sliding pin roll pins. Ensure they are tight and not missing. Tighten or replace as required.

**4.2 USAGE PROCEDURE**

**4.2.1 Aircraft Attachment**



**CAUTION!**

**It is recommended that your towbar be attached to the aircraft first, and then connected to the tug to avoid possible aircraft damage.**

- Insure sliding pin is locked in place using the ball lok-T pin.

**4.2.2 Tug Attachment**

- Use a pintle height so that the towbar is as level as possible during towing. Also, the pintle hook height should prevent contact of the towbar with the ground during towing.



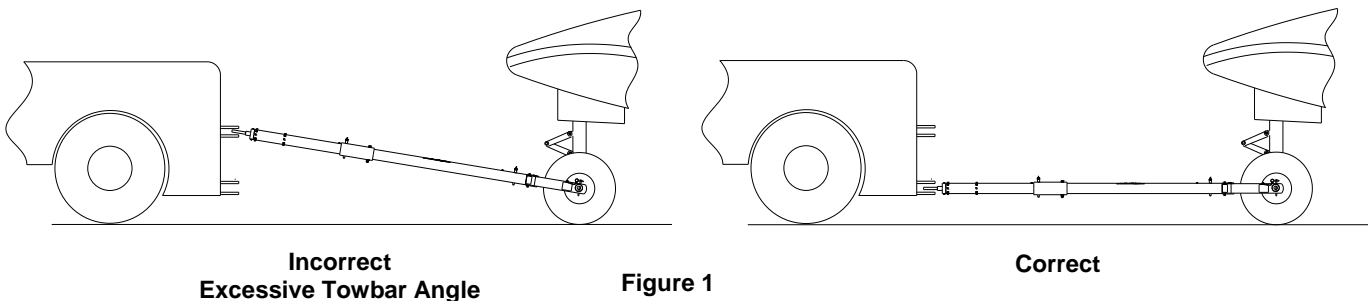
**CAUTION!**

**Damage to the towbar or aircraft can result from an excessive towbar angle during towing operations. Reference Figure 1.**



**WARNING!**

**Tronair recommends the use of a towbar with a category 1 or category 2 tug and aircraft not exceeding 75,000 lbs gross weight. Using the towbar with aircraft weighing in excess of this specific limitation may result in excessive loads and stresses being applied to the towbar and/or the aircraft. These excessive loads may cause failure of the towbar which could cause damage (INCLUDING WITHOUT LIMITATION to the aircraft) and/or personal injury OR DEATH. TRONAIR MAKES NO REPRESENTATION, WARRANTY OR GUARANTEE AS TO SUCH MISUSE AND DISCLAIMS ANY AND ALL LIABILITY FOR INJURY, LOSS OR DAMAGE ARISING FROM OR RELATING TO SUCH MISUSE.**



4.2.3 Couplers

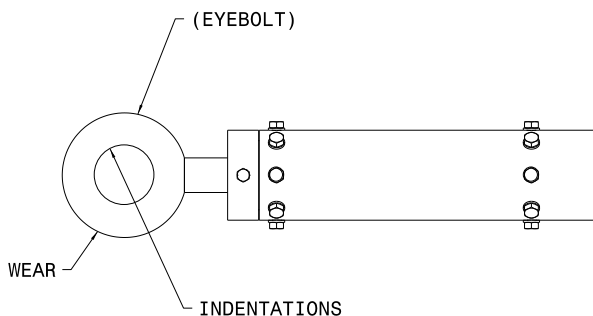


**CAUTION!**

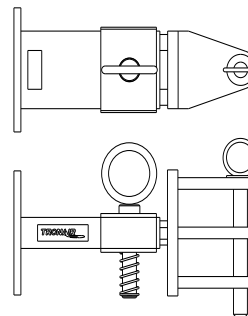
Damage to the towbar or aircraft can result while towing with the following types of couplers:

- Lift Head
- Standard Duty Latch
- Vertical Side Swing Latch
- Swivel Hook

The couplers listed above are known to cause binding and failure in the eyebolt. Indicators of binding are wear on outside diameter of the eyebolt and indentation on the inside diameter of the eyebolt. **Reference Figure 2.**



**Figure 2**

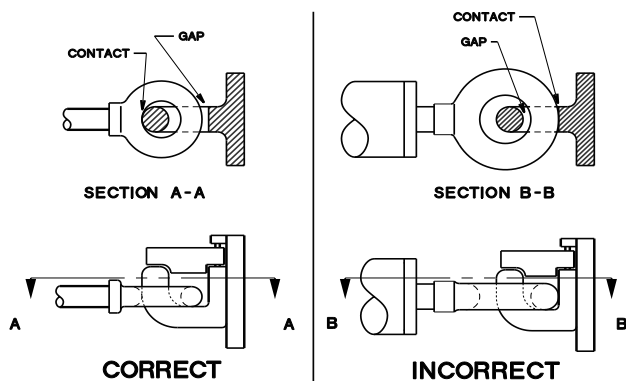


**FIGURE 3**  
**01-1950-5000 Standard Telecoupler**

Tronair recommends a telecoupler pintle hook arrangement. This arrangement is known to eliminate binding. Tronair offers a Standard Telecoupler, Model Number 01-1950-5000, for use on tugs. **Reference Figure 3.**

Damage to the towbar and/or aircraft can result by towing or pushing an aircraft with an incorrect size eyebolt or pintle pin. A correct size eyebolt will make contact with the pintle pin. A gap between the eyebolt outside diameter and the coupler face plate should be easily seen. An eyebolt which is too large will cause the eyebolt to make contact with the face plate of the coupler. When the eyebolt is too large for the coupler, a gap between the inside diameter of the eyebolt and the coupler face plate will be seen. **Reference Figure 4.**

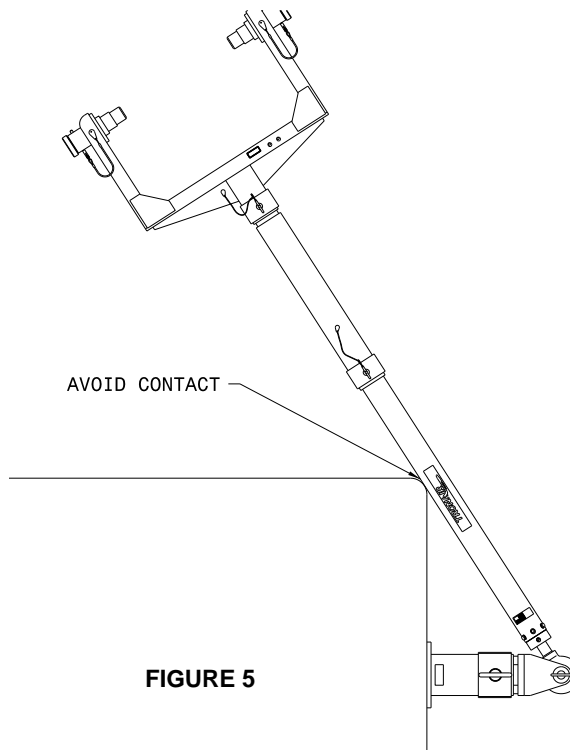
To ensure proper towing and pushing, check to make sure the pintle pin diameter is not too long for the eyebolt's inside diameter. An approximate one-half inch (1/2") gap between the pin diameter and the eyebolt should be seen. If any of these conditions are not met, please contact Tronair for information to obtain a new coupler.



**FIGURE 4**

4.2.4 Towing Operation

Damage to the towbar or aircraft can result from pushing an aircraft while maintaining too sharp of an angle between the tug and the aircraft. Contact between the towbar weldment and the tug must be avoided. It is recommended that the angle between the tug and towbar not exceed 90°. **Reference Figure 5**



**FIGURE 5**



## 5.0 PROVISION OF SPARES

### 5.1 SOURCE OF SPARE PARTS

Spare parts may be obtained from the manufacturer:

<b>TRONAIR</b> , Inc.	Telephone: (419) 866-6301 or 800-426-6301
1 Air Cargo Pkwy East	Fax: (419) 867-0634
Swanton, Ohio 43558 USA	E-mail: sales@tronair.com
	Website: www.tronair.com

For Spare Parts, Operations & Service Manuals or Service Needs:  
Scan the QR code or visit [Tronair.com/aftermarket](http://Tronair.com/aftermarket)

### 5.2 RECOMMENDED SPARE PARTS LISTS

Reference the following page(s) for Replacement Parts and Kits available.

Recommended Spares to be kept on hand:

K-1337.....Kit, Ball Lok-T Pin Replacement  
K-1882.....Kit, Ball Lok-T Pin Replacement  
K-2327.....Kit, Shear Pin Replacement  
K-2612.....Kit, Sliding Pin Replacement

## 6.0 IN-SERVICE SUPPORT

Contact Tronair, Inc. for technical services and information. See Section 1.3 – Manufacturer.

## 7.0 GUARANTEES/LIMITATION OF LIABILITY

Tronair products are warranted to be free of manufacturing or material defects for a period of one year after shipment to the original customer. This is solely limited to the repair or replacement of defective components. This warranty does not cover the following items:

- Parts required for normal maintenance
- Parts covered by a component manufacturers warranty
- Replacement parts have a 90-day warranty from date of shipment

If you have a problem that may require service, contact Tronair immediately. Do not attempt to repair or disassemble a product without first contacting Tronair, any action may affect warranty coverage. When you contact Tronair be prepared to provide the following information:

- Product Model Number
- Product Serial Number
- Description of the problem

If warranty coverage is approved, either replacement parts will be sent or the product will have to be returned to Tronair for repairs. If the product is to be returned, a Return Material Authorization (RMA) number will be issued for reference purposes on any shipping documents. Failure to obtain a RMA in advance of returning an item will result in a service fee. A decision on the extent of warranty coverage on returned products is reserved pending inspection at Tronair. Any shipments to Tronair must be shipped freight prepaid. Freight costs on shipments to customers will be paid by Tronair on any warranty claims only. Any unauthorized modification of the Tronair products or use of the Tronair products in violation of cautions and warnings in any manual (including updates) or safety bulletins published or delivered by Tronair will immediately void any warranty, express or implied.

The obligations of Tronair expressly stated herein are in lieu of all other warranties or conditions expressed or implied. **Any unauthorized modification of the Tronair products or use of the Tronair products in violations of cautions and warnings in any manual (including updates) or safety bulletins published or delivered by Tronair will immediately void any warranty, express or implied and Tronair disclaims any and all liability for injury (WITHOUT LIMITATION and including DEATH), loss or damage arising from or relating to such misuse.**

## 8.0 APPENDICES

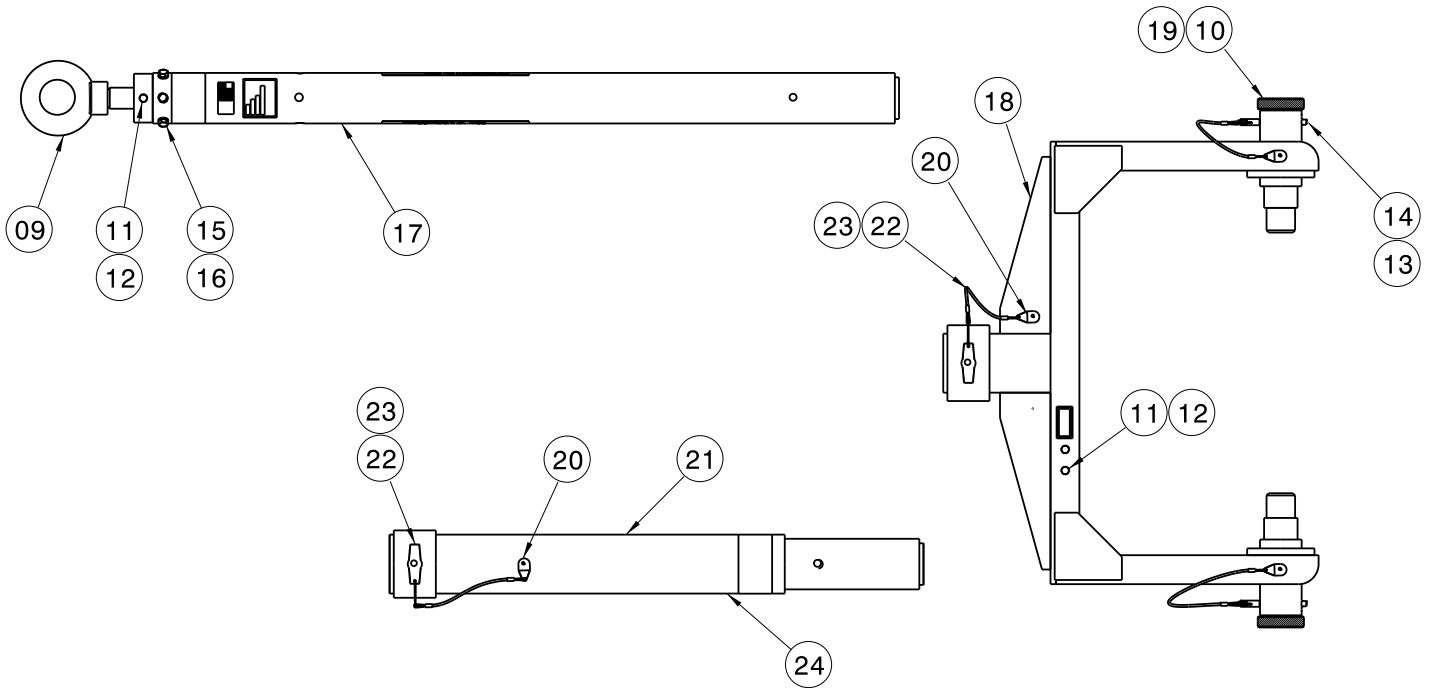
APPENDIX I Declaration of Conformity



This page left blank intentionally.

### Parts List

When ordering replacement parts/kits, please specify model, serial number and color of your unit.



Item	Part Number	Description	Qty
9	Z-3324-01	Assembly, Shock/Shear	1

Item 9 consists of Items 1-8 (not shown) which are not sold separately.

Due to the high compression used in assembly, it is suggested this Shock Assembly be returned to Tronair for repair. Contact your salesperson.

10	R-1665	Pin, Sliding	2
11	G-1420-105034	Bolt, Hex Head, Grade 8, ¼ - 20 x 3 ½ LG	2
12	G-1202-1050	Stopnut, Elastic, ¼ - 20	2
13	H-1026*07.0	Assembly, Lanyard	2
14	G-1310-0525	Pin, Ball Lok-T, 5/16" Diameter x 2.5" Grip	2
15	G-1420-106010	Bolt, Hex Head Grade 5, 5/16 – 18 x ¾ " LG	6
16	G-1251-1060R	Lockwasher, 5/16 Regular	6
17	Z-3323-01	Weldment, Tube	1
18	Z-3325-01	Weldment, head	1
19	G-1300-19040	Pin, Roll, 3/16 x ½ LG	2
20	G-1351-04	Rivet, 1/8 Open End Steel	2
21	Z-3671-01	Weldment, Towbar Extension	1
22	G-1310-0845	Pin, Ball Lok-T, ½ DIA x 4 ½ " Grip	2
23	H-1424*12.0	Assembly, Lanyard	1
24	Z-3672	Assembly, Towbar Extension	1
	<b>K-1337</b>	<b>Kit, Ball Lok-T Pin Replacement; consists of:</b>	
13	H-1026*07.0	Assembly, Lanyard	1
14	G-1310-0525	Pin, Ball Lok-T, 5/16" Diameter x 2.5" Grip	1
20	G-1351-04	Rivet, 1/8 Open End Steel	1



## Parts List

When ordering replacement parts/kits, please specify model, serial number and color of your unit.

Item	Part Number	Description	Qty
	<b>K-1882</b>	<b>Kit, Ball Lok-T Pin Replacement; consists of:</b>	
20	G-1351-04	Rivet, 1/8 Open End Steel	1
22	G-1310-0845	Pin, Ball Lok-T, 1/2 DIA x 4 1/2" Grip	1
23	H-1424*12.0	Assembly, Lanyard	1
	<b>K-2327</b>	<b>Kit, Shear Pin Replacement; consists of:</b>	
11	G-1420-105034	Bolt, Hex Head, Grade 8, 1/4 - 20 x 3 1/2 LG	1
12	G-1202-1050	Stopnut, Elastic, 1/4 - 20	1
	<b>K-2612</b>	<b>Kit, Sliding Pin Replacement; consists of:</b>	
10	R-1665	Pin, Sliding	1
19	G-1300-19040	Pin, Roll, 3/16 x 1/2 LG	1





## **APPENDIX I**

### **Declaration of Conformity**





## DECLARATION of CONFORMITY

The design, development and manufacture is in accordance with European Community guidelines

Portable Towbar  
01-1261-0000

Relevant provisions complied with by the machinery:  
2006/42/EC

Relevant standards complied with by the machinery:  
EN ISO 12100-1

Identification of person empowered to sign on behalf of the Manufacturer:

A handwritten signature in black ink that reads "Patrick Finch". The signature is written in a cursive style and is positioned above a horizontal line.

Quality Assurance Representative