



OPERATION & SERVICE MANUAL

**Model: 08-0141-4000
TFE-731-20R-1B
Engine Sling**



04/2002 - Rev. OR

REVISION
OR

DATE
04/2002

TEXT AFFECTED
Original Release



TABLE OF CONTENTS

	<u>PAGE</u>
1.0 PRODUCT INFORMATION	1
1.1 DESCRIPTION.....	1
1.2 MODEL & SERIAL NUMBER.....	1
1.3 MANUFACTURER.....	1
1.4 SPECIFICATIONS	1
2.0 SAFETY	1
3.0 TRAINING	1
3.1 TRAINING REQUIREMENTS	1
3.2 TRAINING PROGRAM	1
3.3 OPERATOR TRAINING.....	1
4.0 ENGINE HANGING INSTRUCTIONS.....	2
5.0 INSPECTION	2
5.1 LOAD TEST	2
5.2 TEST PROCEDURE	2
6.0 PROVISION OF SPARES.....	2
6.1 SPARE PARTS	2
6.2 PARTS LISTS & ILLUSTRATIONS.....	2
7.0 IN-SERVICE SUPPORT.....	2
8.0 GUARANTEES/LIMITATION OF LIABILITY	3

This product can not be modified without the written approval of Tronair, Inc. Any modifications done without written approval voids all warranties and releases Tronair, Inc., its suppliers, distributors, employees, or financial institutions from any liability from consequences that may occur. Only Tronair OEM replacement parts shall be used.

1.0 PRODUCT INFORMATION

1.1 DESCRIPTION

The 08-0141-4000 Engine Sling is designed for use on the Garrett TFE-731-20R-1B engine. Always follow manufacturer's instructions for proper engine handling.

1.2 MODEL & SERIAL NUMBER

Reference nameplate on unit

1.3 MANUFACTURER

TRONAIR, Inc.
1 Air Cargo Pkwy East
Swanton, Ohio 43558

Telephone: (419) 866-6301 or 800-426-6301
E-mail: sales@tronair.com
Website: www.tronair.com

1.4 SPECIFICATIONS

- Sling Weight: 30 lbs (14 kg) *approximate*
- Capacity: 1,000 lbs (454 kg)
- Length: 18-3/4 in (48 cm)
- Width: 17 in (43 cm)
- Height: 17-1/4 in (44 cm) *approximate from top of bar to engine*
- Finish: Zinc Chromate with clear overcoat

2.0 SAFETY

Safety instructions specifically pertaining to this unit appear throughout this manual highlighted by the signal words **WARNING** and **CAUTION** which identify different levels of hazard.



WARNINGS!

Denote practices which if not carefully followed, could result in **SERIOUS** personal injury or death, and/or minor personal injury or damage to this equipment.

- **NEVER** exceed rated load or lift a load not intended for this sling.
- **NEVER** use sling if any damage or excessive wear is found.
- **NEVER** lift suspended loads over personnel.
- **NEVER** make any alterations or modifications to sling.
- **ALWAYS** stay clear of suspended loads.



CAUTIONS!

Ensure engine is balanced on sling. If engine is unbalanced, check that the orientation of sling is correct. In the event of an unbalanced condition, loss of control and/or damage may occur to the engine along with injury to operator.

- **NEVER** use sling to lift personnel.
- **NEVER** leave suspended loads unattended.
- **NEVER** remove or obscure warning labels.
- **DO NOT** use sling until you have read and understood this manual.
- **NEVER** lift loads higher than necessary.

3.0 TRAINING

3.1 TRAINING REQUIREMENTS

The employer of the operator is responsible for providing a training program sufficient for the safe operation of the unit.

3.2 TRAINING PROGRAM

The employer provided operator training program should cover safety procedures concerning use of the unit in and around the intended aircraft at the intended aircraft servicing location.

3.3 OPERATOR TRAINING

The operator training should provide the required training for safe operation of the unit.

NOTE: Maintenance and Trouble Shooting are to be performed by a skilled and trained technician.

4.0 ENGINE HANGING INSTRUCTIONS

1. Assemble sling on crane (or equivalent) as shown in **Parts List**.
2. Attach front straps to sling mounts & bolt rear strap (Item 1) to mount on engine.
3. Before lifting engine, ensure all ball-lok pins, shackles and rear mount bolts are secure.

5.0 INSPECTION

SERVICE	INTERVAL	
Normal	Yearly	Inspect equipment at site of use. Operation with various weights within the rated load limit, or uniform loads less than 65 percent of rated load.
Heavy	Semi-Annual	Inspect equipment at site of use unless external conditions indicate that disassembly should be done to permit detailed inspection. Operation within the rated load limit that exceeds normal service.
Severe	Quarterly	Inspect equipment at site of use unless external conditions indicate that disassembly should be done to permit detailed inspection. Operation at normal or heavy service under abnormal operating conditions.
Special/ Infrequent	As recommended by a qualified person before the first such use and as directed by the qualified person for any subsequent uses	

Every Lift Inspection (performed visually by operator):

- Missing parts (pins, fasteners, labels, etc).
- Operation of all ball-lok pins & shackles.
- Inspect sling components for any signs of material deformation, cracks, or excessive wear.

Frequent & Periodic Inspections (performed by designated personnel):

- Visual (performed monthly): same as Every Lift Inspection
- Record (Semi-annually):
 - Loose bolts and fasteners
 - Cracked or excessively worn straps, bars & plates
 - Excessive wear at hoist points and load support clevis & pins.

5.1 LOAD TEST

It is recommended to send Equipment to Manufacturer or Authorized Service Center for Recertification.

Rated load at engine sling lift hole: 1000 lbs.

This sling was proof tested to 200% (2,000 lbs/907 kg) of rated load; test certification is included with documentation. If it is found necessary to load test sling, use a fixed fixture and load cell. Load test to at least 125% (1,250 lbs/567 kg) of rated capacity unless otherwise recommended by the manufacturer. Test weights shall be accurate to within -5 percent, +0 percent of stipulated values.

5.2 TEST PROCEDURE

1. Load test sling to 125% of rated load
2. Hold for one (1) minute.
3. Remove the sling from the test weight and inspect the entire sling for broken welds, elongated holes, or any other signs of failure.)

6.0 PROVISION OF SPARES**6.1 SPARE PARTS**

Spare parts may be obtained from the manufacturer:

TRONAIR, Inc.
1 Air Cargo Pkwy East
Swanton, Ohio 43558

Telephone: (419) 866-6301 or 800-426-6301
E-mail: sales@tronair.com
Website: www.tronair.com

6.2 PARTS LISTS & ILLUSTRATIONS

Reference the following page for Replacement Parts and Kits available.

7.0 IN-SERVICE SUPPORT

Contact Tronair for technical services and information.



8.0 GUARANTEES/LIMITATION OF LIABILITY

Tronair products are warranted to be free of manufacturing or material defects for a period of one year after shipment to the original customer. This is solely limited to the repair or replacement of defective components. This warranty does not cover the following items:

- a) Parts required for normal maintenance
- b) Parts covered by a component manufacturers warranty
- c) Replacement parts have a 90-day warranty from date of shipment

If you have a problem that may require service, contact Tronair immediately. Do not attempt to repair or disassemble a product without first contacting Tronair, any action may affect warranty coverage. When you contact Tronair be prepared to provide the following information:

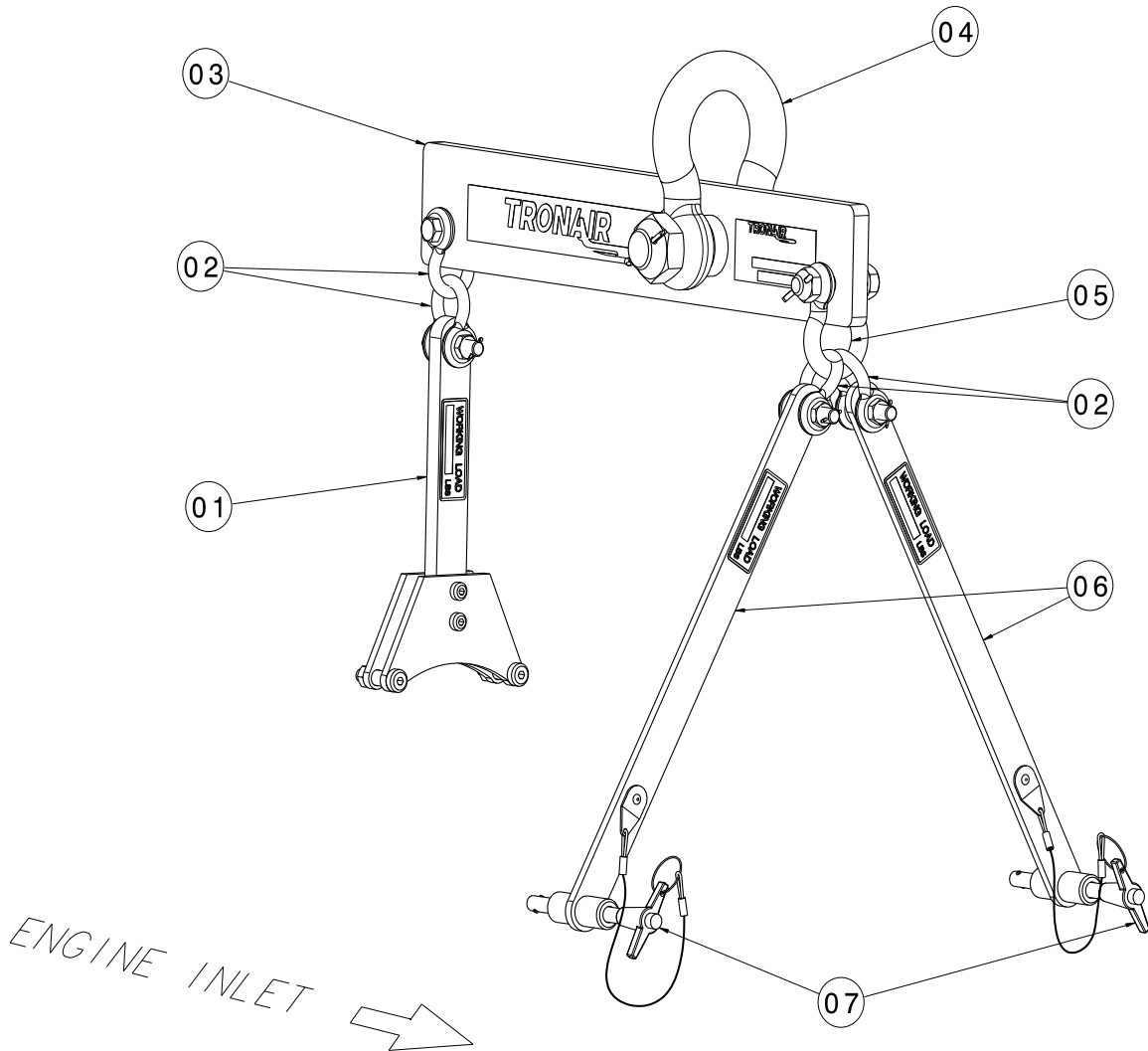
- a) Product Model Number
- b) Product Serial Number
- c) Description of the problem

If warranty coverage is approved, either replacement parts will be sent or the product will have to be returned to Tronair for repairs. If the product is to be returned, a Return Material Authorization (RMA) number will be issued for reference purposes on any shipping documents. Failure to obtain a RMA in advance of returning an item will result in a service fee. A decision on the extent of warranty coverage on returned products is reserved pending inspection at Tronair. Any shipments to Tronair must be shipped freight prepaid. Freight costs on shipments to customers will be paid by Tronair on any warranty claims only. Any unauthorized modification of the Tronair products or use of the Tronair products in violation of cautions and warnings in any manual (including updates) or safety bulletins published or delivered by Tronair will immediately void any warranty, express or implied.

The obligations of Tronair expressly stated herein are in lieu of all other warranties or conditions expressed or implied. **Any unauthorized modification of the Tronair products or use of the Tronair products in violations of cautions and warnings in any manual (including updates) or safety bulletins published or delivered by Tronair will immediately void any warranty, express or implied and Tronair disclaims any and all liability for injury (WITHOUT LIMITATION and including DEATH), loss or damage arising from or relating to such misuse.**

Parts List

When ordering replacement parts/kits, please specify model, serial number and color of your unit.



Item	Part Number	Description	Qty
1	Z-3893	Assembly, Engine Strap	1
2	H-2652-03	Shackle, 5/16	4
3	J-3408	Bar, Sling (TFE-731-20R-1B Engine)	1
4	H-2652-09	Shackle, 7/8	1
5	H-2652-05	Shackle, 7/16	2
6	Z-3894	Assembly, Engine Strap (includes Item 7)	2
7	K-2942	Kit, Replacement Ball Lok Pin; consists of:	
	G-1351-04	Rivet, 1/8 Open-End Steel	1
	G-1310-0636	Pin, Ball Lok-T, 3/8" diameter x 3.6" long	1
	H-1026*07.0	Assembly, Lanyard	1

Note: Lanyard not shown for clarity.



APPENDIX I

Declaration of Conformity



DECLARATION of CONFORMITY

The design, development and manufacture is in accordance with European Community guidelines

08-0141-4000
Engine Sling
TFE-731-20R-1B

Relevant draft complied with by the machinery:
EN ISO 12100-1

Relevant standards complied with by the machinery:
EN ISO 12100-1
EN 1915-1:2001 (5.20)

Identification of person empowered to sign on behalf of the Manufacturer:

A handwritten signature in cursive script that reads "Patrick Finch". The signature is written in black ink and is positioned above a horizontal line.

Quality Assurance Representative