

APPLICATION SHEET



FAA REPAIR STATION UT3R905L  
 JAA JAR 145.10  
 FAA-PMA PARTS MANUFACTURING APPROVED

**PARTS KIT FOR ENGINE VIBRATION ISOLATOR  
 TYPE 7350721-7**

**Hutchinson Aerospace** designs and manufactures engine vibration isolation systems to meet the exacting standards of the aircraft industry. These systems are designed to reduce the magnitude of vibration transmitted from the propeller/powerplant to the airframe. Isolation provides: reduced pilot fatigue, passenger comfort, and maximum protection of the aircraft structure and systems from the damaging effects of vibration. To maintain maximum performance and protection from the isolation system, replacement is recommended at each engine overhaul.

In addition to supplying OEM components to the manufacturer of these aircraft, **Hutchinson Aerospace** has been granted Parts Manufacturers Approval (PMA) for vibration isolator type number 7350721-7 and its components for the aircraft listed below. The spacer located between the molded assemblies provides proper installation positioning and pre-compression when isolator is installed.

APPLICATIONS

AIRCRAFT MANUFACTURER	POPULAR NAME	AIRCRAFT MODEL	ENGINE TYPE	ISOLATORS PER ENGINE	ISOLATORS PER AIRCRAFT
Viking Air (formerly deHavilland)	Twin Otter	DHC6-100, -200	PT6A-20	3	6
		DHC6-300	PT6A-27	3	6
		DHC6-400	PT6A-34	3	6
	Turbo Beaver Mk III	DHC-2	PT6A-20	3	3

NOTE: 7350721-7 supersedes 7350721-1 thru 7350721-6 and is an alternate and replacement part number for 7350721-8 for use on the PT6A-20 engine.

**Hutchinson Aerospace** offers Parts Kit PK7350721-7 as component parts for repair and/or replacement purposes on vibration isolator assembly 7350721-7. An illustrated parts breakdown and component part number list are provided on page 2 for reference only. For repairs completed with the Parts Kit, reference the Component Maintenance Manual for Type 7350721 for disassembly, cleaning, inspection/check, repair, and assembly procedures. The operator is responsible for all inspections, non-destructive testing, and repairs done to the retained items and for proper installation on the aircraft.

For additional information, applications assistance, and technical support, please contact our customer service department.



4510 Vanowen Street  
 Burbank, CA 91505-7710

Phone (818) 843-1000  
 Fax (818) 845-6978

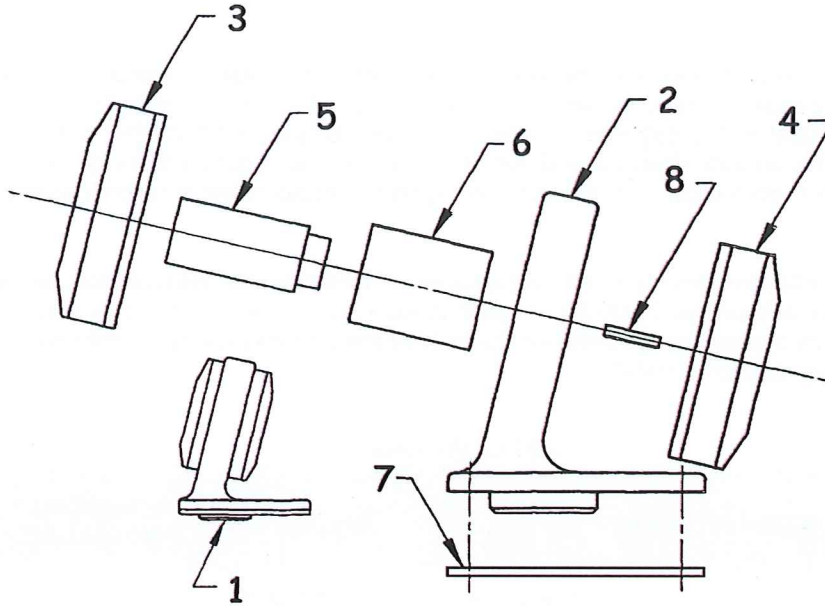
AS-PK7350721-7 ©04/17/2018

**We make it possible**

APPLICATION SHEET



FAA REPAIR STATION UT3R905L  
 JAA JAR 145.10  
 FAA-PMA PARTS MANUFACTURING APPROVED



ITEM	DESCRIPTION	APPLICABLE PN'S FOR ENGINE MODEL PT6A-27	QTY PER ASSY
1	Isolator Assembly	7350721-7 **	Ref
2	Bracket, Mounting	7351256-2	1
3*	Molded Assembly	7351257-9	1
4*	Molded Assembly	7351257-7	1
5*	Spacer	7351261-1	1
6*	Tube, Bumper	7351260-1	1
7	Gasket	R20702-2	1
8	Pin, Spring ***	MS171465	1

\* Included in Parts Kit PK7350721-7

\*\* 7350721-7 Molded Assemblies are color coded yellow.

\*\*\* Effective January 1979, Pin is an integral part of the Mounting Bracket

Please refer to the aircraft's Illustrated Parts Catalog and Maintenance Manual for proper installation instructions.



4510 Vanowen Street  
 Burbank, CA 91505-7710

Phone (818) 843-1000  
 Fax (818) 845-6978

AS-PK7350721-7 ©04/17/2018

We make it possible