

**SUPER  
CAPACITY**

# 7242-16

**Sealed Aircraft Battery, VRLA, LT Technology, 24V, 16Ah**



SPECIFICATIONS			
Model	7242-16		
Nominal Voltage, V	24		
One Hour Capacity, C1, Ah	16		
30 Minute Emergency Rate, C/2, A	25		
Weight, Lb. Maximum	29.70		
Power Performance	23°C (75°F)	-18°C (0°F)	-30°C (-22°F)
I <sub>pp</sub> , A	1100	640	495
I <sub>pr</sub> , A	480	300	250



**NEW**  
**7242-16**  
AVAILABLE NOW,  
AT DISTRIBUTORS

*Upgrade to the Next Generation of Lead-Acid Technology!*

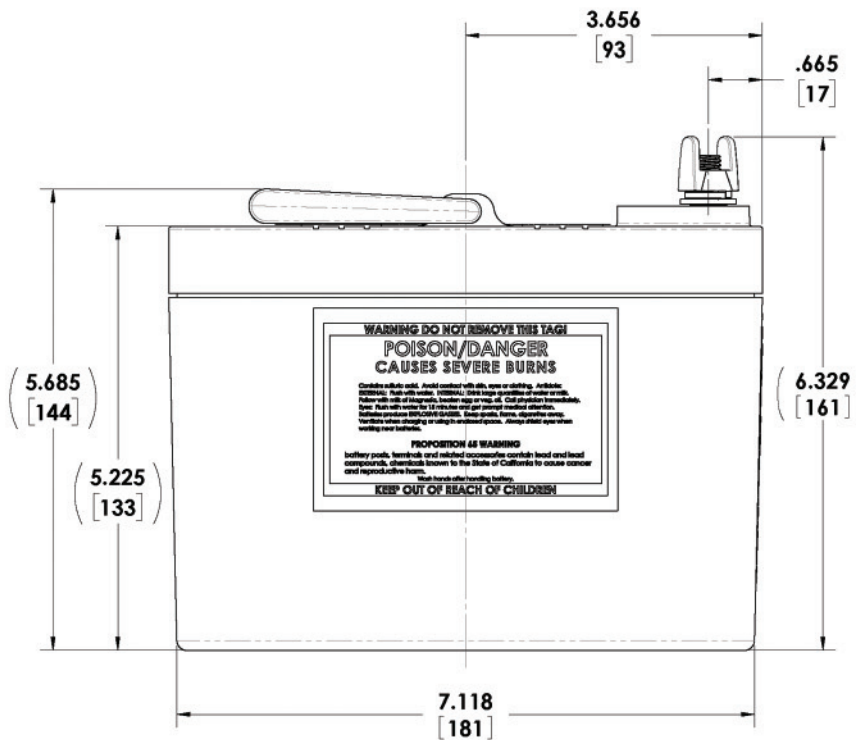
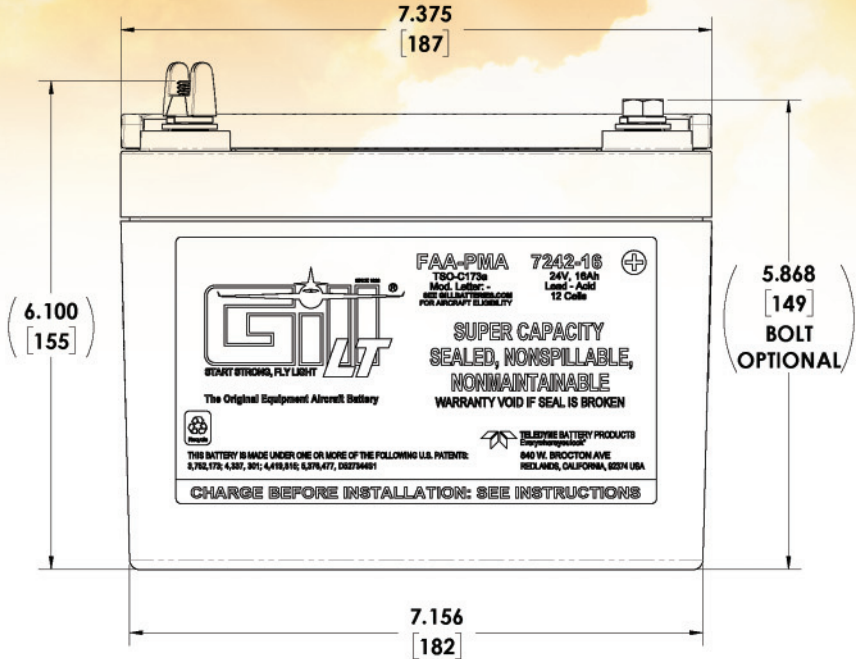
- ✓ TSO Authorized
- ✓ DO-160E Tested
- ✓ Sealed, VRLA, Non-Spillable
- ✓ 18 Month/1800 Hour Capacity Check Inspection
- ✓ 2 Year Warranty
- ✓ FAA-PMA



**SUPER CAPACITY**

**7242-16**

AVAILABLE NOW AT DISTRIBUTORS



**FAA-PMA APPROVED**

MAKE	MODEL
<b>Cessna</b>	F152, FA152, F172N, FR172K, FR182Q, FR182, 152, A152, 172N, R172K, 177B, 177RG, 180K, 182Q, R182, A185F, A188B, T188C, T206H, TU206G, U206G, 207A, T207A, 210M, 210N, 210R, P210N, T210M, T210N, T210R, 337H, FT337HP, P337H, T337H, T337H-SP
<b>Beechcraft</b>	C23, C24R, F33C, V35B, A36, G36, D55, D55A, E55, E55A, 58TC, 58TCA, 76, 95-55, 95-A55, 95-B55, 95-B55A
<b>Mooney</b>	M20J, M20K
<b>Piper</b>	PA-31, PA-31-300, PA-31-325, PA-31-350, PA-36-285, PA-36-300
<b>Robinson Helicopter</b>	R-44, R-44 II
<b>Socata</b>	TB9, TB10, TB20, TB21, TB200

No STC's or modifications required for any of the models listed

