

12 Volt Dry Charged Batteries for General Aviation Single and Twin Engine Aircraft



G-25

- 12 Volts
- 18 AH at the 1 Hour Rate
- 30 Amps 30 Minute Emergency Capacity
- 225 CCA at 0° F for 60 Seconds
- 21 Lbs. (Filled)
- 1.285 SG Electrolyte, 2 Quarts



G-35

- 12 Volts
- 23 AH at the 1 Hour Rate
- 40 Amps 30 Minute Emergency Capacity
- 250 CCA at 0° F for 60 Seconds
- 27 Lbs. (Filled)
- 1.285 SG Electrolyte, 3 Quarts



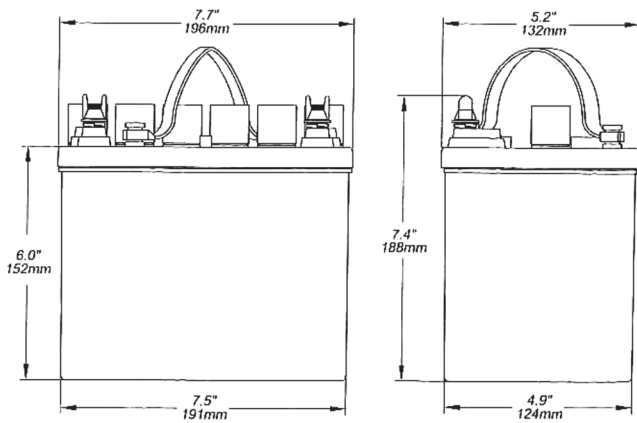
G-35M

- 12 Volts
- 23 AH at the 1 Hour Rate
- 40 Amps 30 Minute Emergency Capacity
- 250 CCA at 0° F for 60 Seconds
- 26.3 Lbs. (Filled)
- 1.285 SG Electrolyte, 3 Quarts



G-88

- 12 Volts
- 65 AH at the 1 Hour Rate
- 108 Amps 30 Minute Emergency Capacity
- 500 CCA at 0° F for 60 Seconds
- 78 Lbs. (Filled)
- 1.285 SG Electrolyte, 8 Quarts



G-25

Aerostar: PA-60-600, PA-60-601, PA-60-601P, PA-60-602P, PA-60-700P

American Champion: 7ACA, 7ECA, 7GCBC

Beechcraft: 19A, B19, 23, A23, A23A, B23, C23, A24, A24R, B24R, C24R, E33, E33A, E33C, F33, G33, 35-33, 35-A33, 35-B33, 35-C33, 35-C33A, D55, D55A, E55, E55A, 58, 58A, 58P, 58TC, G58, 77, 95, B95, B95A, D95A, E95, 95-55, 95-A55, 95-B55, 95-C55, C-55A

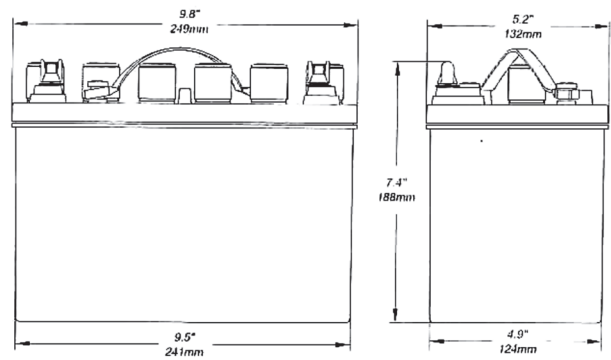
Cessna: 120, 140, 150, 150A, 150B, 150C, 150D, 150E, 150F, 150G, 150H, 150J, 150K, 150L, 150M, A150K, A150L, A150M, 170, 172, 172B, 172C, 172D, 172E, 172F, (USAF T-41A), 172G, 172H, (USAF T-41A), 172I, 172K, 172L, 172M, 172N, F172D, F172E, F172F, F172G, F172H, F172K, F172L, F172M, F172N, 175, 175B, 175C, P172D, 177, 1277A, 177B, 188, 188A, 188B, T188C, 310, 310B, 310C, 310D, 310F, 310G, 310H, E310H, 310I, 310J, 310J-1, E310J, 310K, 310P, 310Q, 320, 340

Commander: 112, 112TC, 112B, 112TCA

Piper Aircraft, Inc.: PA-11, PA-22-108, PA-22-135, PA-22-150, PA-22-160, PA-23-235, PA-23-250, PA-28-140, PA-28-150, PA-28-151, PA-28-160, PA-28-161, PA-28-180, PA-28-181, PA-28-201T, PA-28-235, PA-28-236, PA-28R-180, PA-28R-200, PA-28RT-201, PA-28RT-201T, PA-32-260, PA-32-300, PA-32R-300, PA-32RT-300, PA-32RT-300T, PA-36-285, PA-36-300, PA-36-375, PA-38-112

SOCATA, S.A Grumman: GA-7

True Flight Holdings LLC: AA-1, AA-1A, AA-1B, AA-1C, AA-5, AA-5A, AA-5B



G-35

Alexandria Aircraft: 17-30, 17-30A, 17-31, 17-31A, 17-31TC, 17-31ATC

AmericanChampion: 7GCAA, 7GCBC, 7KCAB, 8KCAB

Beech: 17, 18, 19, 23, 24, 33, 35, 36, 650, 76

Bell: 47G-5

Cessna: 177, 177A, 177B, 180A, 180B, 180C, 180D, 180E, 180F, 180G, 180H, 180J, 180K, 182A, 182B, 182C, 182D, 182E, 182F, 182G, 182H, 182J, 182K, 182L, 182M, 182N, 182P, 182Q, 185, 185A, 185B, 185C, 185D, 185E, A185E, A185F, A188A, A188B, 190, 195, 195A, 195B, 206, P206, P206A, P206B, P206C, P206D, P206E, U206, U206A, U206B, U206C, U206D, U206E, U206F, U206G, 207, 207A, T207, T207A, 210, 210B, 210C, 210D, 210E, 210F, 210G, 210H, 210J, 210K, T210G, T210H, T210J, T210K, T210L, T210M, T210N, T210R

CPAC, Inc.: 112, 112B, 112TC, 112TCA, 114, 114A

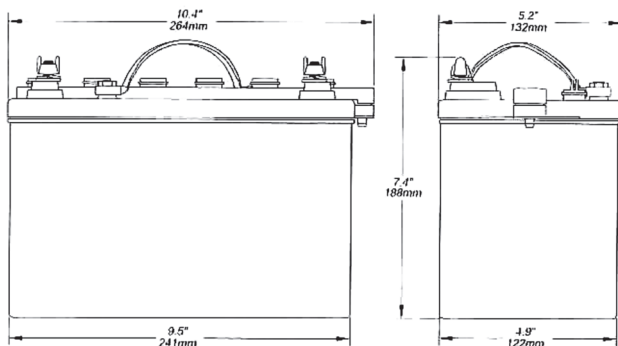
Globe: GC-1A, GC-1B

Hawker Beechcraft: 19A, B19, M19A, 23, A23, A23A, A23-19, A23-24, B23, C23, A24, A24R, B24R, C24R, E33, E33A, F33, F33A, F33C, G33, 35, 35-33, 35-A33, 35-B33, 35-C33, 35-C33A, A35, B35, C35, D35, E35, F35, G35, H35, J35, K35, M35, N35, P35, S35, V35, V35A, V35B, 36, A36, A36TC, B36TC, G36, V35B, 76

Mooney: M20, M20A, M20B, M20C, M20D, M20E, M20F, M20G, M20J, M20K

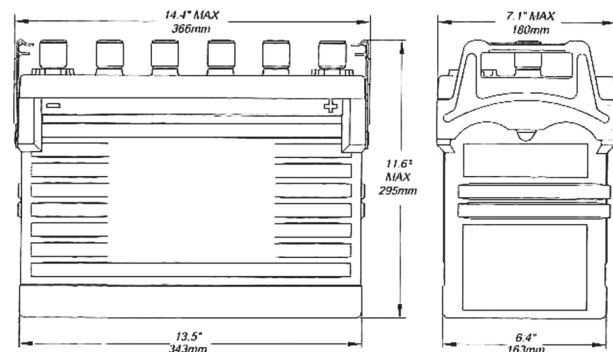
Piper: PA-18, PA-18A, PA-18S, PA-18S"125", PA-18A"135", PA-18S"135", PA-18"150", PA-18A"150", PA-20", PA-20S, PA-20"115", PA-20S"115", PA-20"135", PA-20S"135", PA-22, PA-22-108, PA-22-135, PA-22S-135, PA-22-150, PA-22S-150, PA-22-160, PA-22S-160, PA-23, PA-23-160, PA-23-235, PA-23-250, PA-24, PA-24-250, PA-24-260, PA-24-400, PA-28-140, PA-28-150, PA-28-151, PA-28-160, PA-28-161, PA-28-180, PA-28-181, PA-28-201T, PA-28-235, PA-28-236, PA-28R-180, PA-28R-200, PA-28R-201, PA-28R-201T, PA-28RT-201, PA-28RT-201T, PA-30, PA-32-260, PA-32-300, PA-32-301, PA-32-301T, PA-32R-300, PA-32R-301, PA-32R-301T, PA-32RT-300, PA-32RT-300T, PA-34-200, PA-34-200T, PA-36-375, PA-39, PA-44-180, PA-44-180T

Maule: M-4-180V, M5-180C, M-5-235C, M-6-180, M-6-235, M-7-235, MX-7-180, MXT-7-180, MT-7-235, M8-235, MX-7-160, MXT-7-160, MX-7-180A, MXT-7-180A, MX7-180B, M-7-235B, M-7-235A, M-7-235C, MX-7-180C, M-7-260, M-7-260C, MT-7-260, MX-7-160C, MX-7-180AC



G-35M

Maule: M-4-180C, M-4-210, M-4-210C, M-4-230C, M-5-180C, M-5-200, M-5-210C, M-5-220C, M-5-235C, M-6-180, M-6-235, M-7-235, M-7-180, M-7-235



G-88

Ayres Corp.: S-2R