



## Model: 14-6881-0010 Dash 8 Disk Locator Tool

This product can not be modified without the written approval of Tronair, Inc. Any modifications done without written approval voids all warranties and releases Tronair, Inc., its suppliers, distributors, employees, or financial institutions from any liability from consequences that may occur. Only Tronair OEM replacement parts shall be used.

### GUARANTEES/LIMITATION OF LIABILITY

Tronair products are warranted to be free of manufacturing or material defects for a period of one year after shipment to the original customer. This is solely limited to the repair or replacement of defective components. This warranty does not cover the following items:

- a) Parts required for normal maintenance
- b) Parts covered by a component manufacturers warranty
- c) Replacement parts have a 90-day warranty from date of shipment

If you have a problem that may require service, contact Tronair immediately. Do not attempt to repair or disassemble a product without first contacting Tronair, any action may affect warranty coverage. When you contact Tronair be prepared to provide the following information:

- a) Product Model Number
- b) Product Serial Number
- c) Description of the problem

If warranty coverage is approved, either replacement parts will be sent or the product will have to be returned to Tronair for repairs. If the product is to be returned, a Return Material Authorization (RMA) number will be issued for reference purposes on any shipping documents. Failure to obtain a RMA in advance of returning an item will result in a service fee. A decision on the extent of warranty coverage on returned products is reserved pending inspection at Tronair. Any shipments to Tronair must be shipped freight prepaid. Freight costs on shipments to customers will be paid by Tronair on any warranty claims only. Any unauthorized modification of the Tronair products or use of the Tronair products in violation of cautions and warnings in any manual (including updates) or safety bulletins published or delivered by Tronair will immediately void any warranty, express or implied.

The obligations of Tronair expressly stated herein are in lieu of all other warranties or conditions expressed or implied. **Any unauthorized modification of the Tronair products or use of the Tronair products in violations of cautions and warnings in any manual (including updates) or safety bulletins published or delivered by Tronair will immediately void any warranty, express or implied and Tronair disclaims any and all liability for injury (WITHOUT LIMITATION and including DEATH), loss or damage arising from or relating to such misuse.**

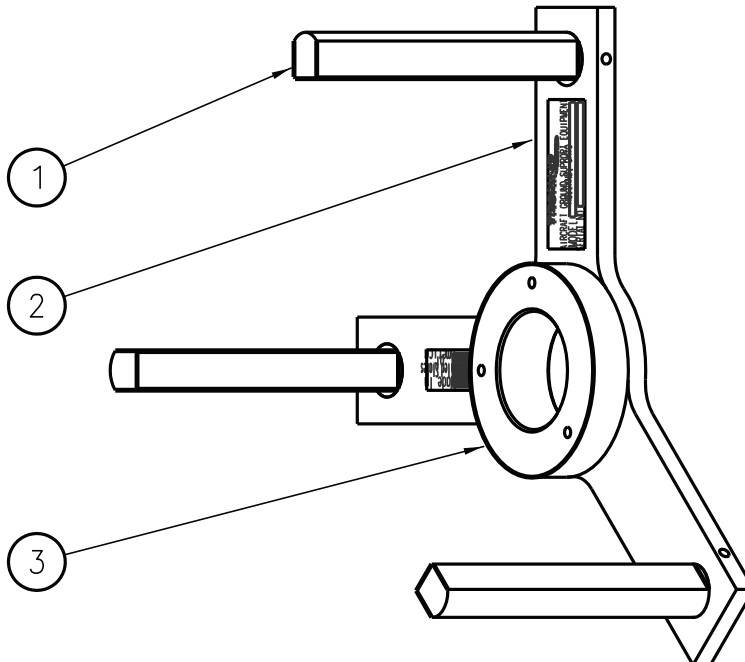
The Tronair Group of Companies: Tronair | EBIS | Columbus Jack | Eagle | DAE | Malabar International

**Tronair, Inc.**  
1 Air Cargo Pkwy East  
Swanton, OH 43558

Phone: (419) 866-6301 | 800-426-6301  
Web: [www.tronair.com](http://www.tronair.com)  
Email: [sales@tronair.com](mailto:sales@tronair.com)

### Parts List

When ordering Replacement Parts/Kits, please specify Model, Color and Serial Number of your Unit



Item	Part Number	Description	Qty
<b>1</b>	<b>K-3003</b>	<b>Kit, Pin Guide Replacement; consists of:</b>	
	G-1300-25240	Pin, Roll, ¼" diameter x 2 ½" long	1
	R-1904	Pin, Guide	1
<b>2</b>	<b>K-3562</b>	<b>Kit, Disk Locator Plate Replacement; consists of:</b>	
	J-3324-01	Plate, Disk Locator	1
	G-1300-25240	Pin, Roll, ¼" diameter x 2 ½" long	3
	V-1001	Label, "Made in the USA"	1
	V-1197	Label, "Tronair"	1
	V-1003	Label, Serial Number	1
<b>3</b>	<b>K-3563</b>	<b>Kit, Disk Coupler Guide; consists of:</b>	
	R-2054	Guide, Disk Coupler	1
	G-1100-105012	Bolt, Hex Head, Grade 5, ¼-20 x 1 ¼" long	3
	G-1251-1050R	Lockwasher, ¼ Regular	3

The Tronair Group of Companies: Tronair | EBIS | Columbus Jack | Eagle | DAE | Malabar International

**Tronair, Inc.**  
 1 Air Cargo Pkwy East  
 Swanton, OH 43558

Phone: (419) 866-6301 | 800-426-6301  
 Web: [www.tronair.com](http://www.tronair.com)  
 Email: [sales@tronair.com](mailto:sales@tronair.com)