

24 Volt Dry Charged Batteries for Turbo Prop and Jet Application



GE-50E

- 24 Volts
- 31 AH at the 1 Hour Rate
- 55 Amps 30 Minute Emergency Capacity
- 325 CCA at 0° F for 60 Seconds
- 80 Lbs. (Filled)
- 1.285 SG Electrolyte, 8 Quarts



GE-51E

- 24 Volts
- 22 AH at the 1 Hour Rate
- 35 Amps 30 Minute Emergency Capacity
- 235 CCA at 0° F for 60 Seconds
- 56 Lbs. (Filled)
- 1.285 SG Electrolyte, 4 Quarts

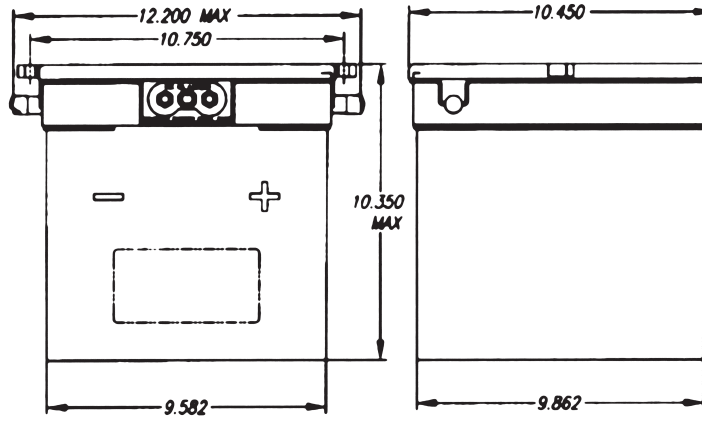


GE-54E

- 24 Volts
- 10 AH at the 1 Hour Rate
- 16 Amps 30 Minute Emergency Capacity
- 106 CCA at 0° F for 60 Seconds
- 34 Lbs. (Filled)
- 1.285 SG Electrolyte, 3 Quarts

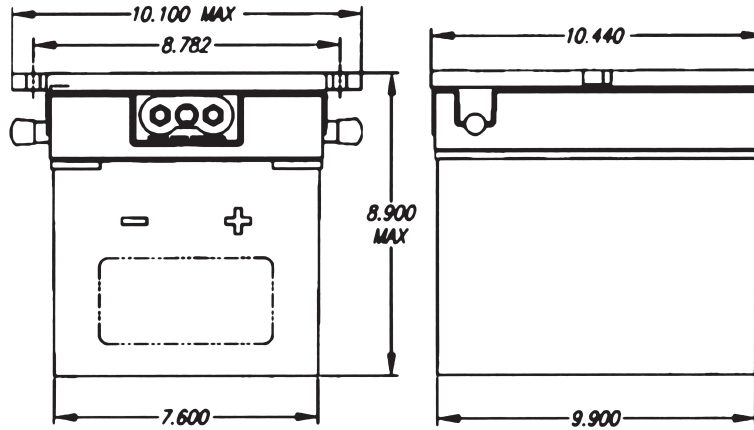
GE-50E

Contact
Teledyne Battery
Products for
applications



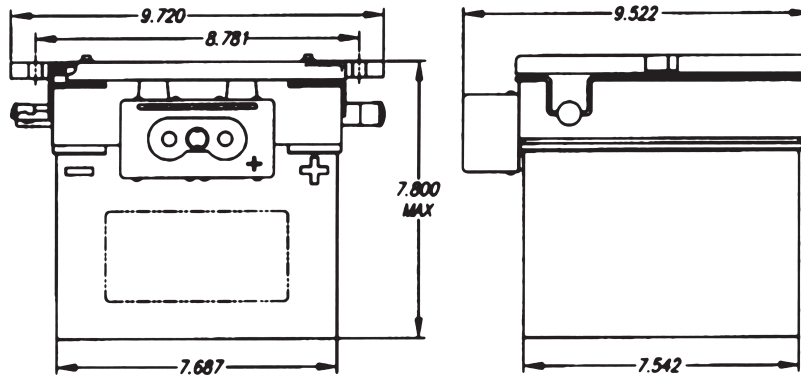
GE-51E

Contact
Teledyne Battery
Products for
applications



GE-54E

Contact
Teledyne Battery
Products for
applications



GE-50E, GE-51E, GE-54E

The Original Equipment Aircraft Battery



TELEDYNE
BATTERY PRODUCTS
A Teledyne Technologies Company

840 W. Brockton Ave., Redlands, CA 92374
(800) 456-0070 • (909) 793-3131
Fax: (909) 793-5818

www.gillbatteries.com