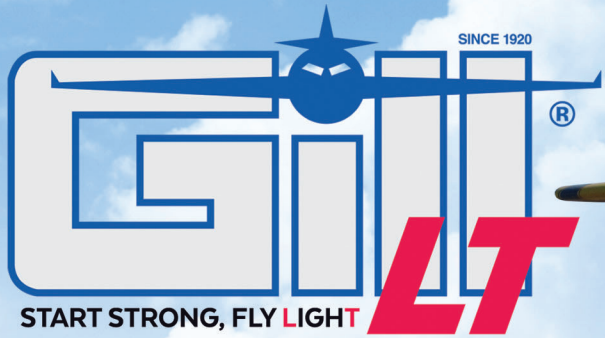


EXTREME CRANKING

7246-20

Sealed Aircraft Battery, VRLA, LT Technology, 24V, 20Ah



SPECIFICATIONS			
Model	7246-20		
Nominal Voltage, V	24		
One Hour Capacity, C1, Ah	20		
30 Minute Emergency Rate, C/2, A	28		
Weight, Lb. Maximum	43.90		
Power Performance	23°C (75°F)	-18°C (0°F)	-30°C (-22°F)
Ipp, A	1250	810	610
Ipr, A	850	550	410



NEW
7246-20
AVAILABLE NOW,
AT DISTRIBUTORS

Upgrade to the Next Generation of Lead-Acid Technology!

- ✔ TSO Authorized
- ✔ DO-160E Tested
- ✔ Sealed, VRLA, Non-Spillable
- ✔ 18 Month/1800 Hour Capacity Check Inspection
- ✔ 2 Year Warranty
- ✔ FAA-PMA

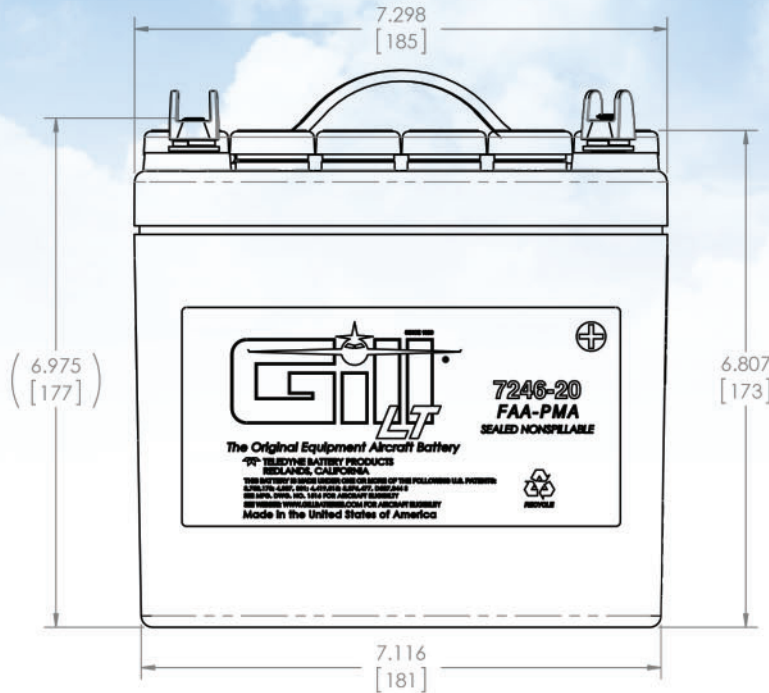


**EXTREME
CRANKING**



7246-20

AVAILABLE NOW AT DISTRIBUTORS



FAA-PMA APPROVED

MAKE	MODEL
Air Tractor	AT-402, AT-402A, AT-402B, AT-502, AT-502A, AT-502B, AT-602, AT-802, AT-802A
Cessna	310R, T310R, 404
Piper	PA-31, PA-31P, PA-31-300

No STC's or modifications required for any of the models listed

