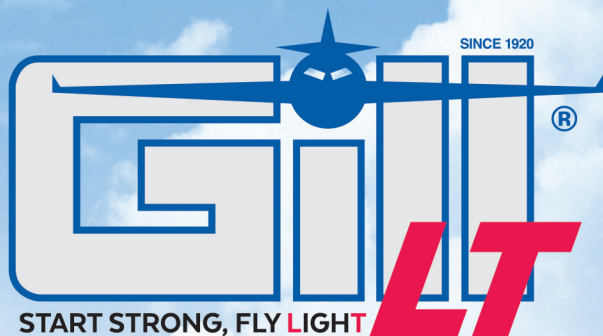


**EXTREME  
CRANKING**

# 7638-44

**Sealed Aircraft Battery, VRLA, LT Technology, 24V, 44Ah**



SPECIFICATIONS			
Model	7638-44		
Nominal Voltage, V	24		
One Hour Capacity, C1, Ah	44		
30 Minute Emergency Rate, C/2, A	70		
Weight, Lb. Maximum	88.60		
Power Performance	23°C (75°F)	-18°C (0°F)	-30°C (-22°F)
I <sub>pp</sub> , A	1857	1677	1411
I <sub>pr</sub> , A	1247	1051	948



**7638-44**  
AVAILABLE NOW,  
AT DISTRIBUTORS

**Upgrade to the Next Generation of Lead-Acid Technology!**

- ✓ TSO Authorized
- ✓ DO-160E Tested
- ✓ Sealed, VRLA, Non-Spillable
- ✓ 18 Month/1800 Hour Capacity Check Inspection
- ✓ 2 Year Warranty
- ✓ FAA-PMA
- ✓ EASA

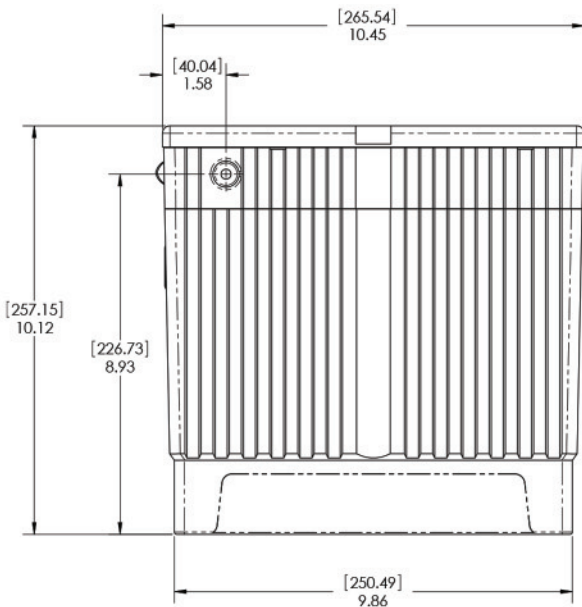
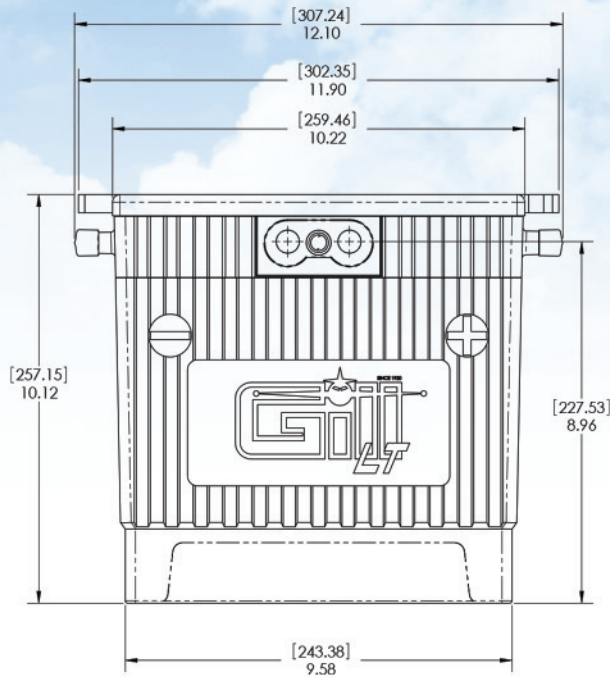


**EXTREME  
CRANKING**



# 7638-44

AVAILABLE NOW AT DISTRIBUTORS



## FAA-PMA APPROVED

MAKE	MODEL	STC KIT
<b>Airbus Helicopters Deutschland GmbH</b>	EC135 P1, EC135 P2, EC135 P2+, EC135 T1, EC135 T2, EC135 T12+	SR00842DE
	MBB-BK 117C-2 (EC145)	SR00843DE
<b>ATR-GIE</b>	ATR42-200, ATR42-300, ATR42-320, ATR42-500, ATR72-101, ATR72-102, ATR72-201, ATR72-202, ATR72-211, ATR72-212, ATR72-212A	STO2886NY
<b>Leonardo S.p.A.</b> (Formerly Finmeccanica S.p.A.; Agusta Westland S.p.A.; Agusta S.p.A.; Agusta un'azienda di Finmeccanica S.p.A.; Agusta S.p.A., Costruzioni Aeronautiche Giovanni Agusta)	AB139, AW139 (main)	SR00866DE
<b>Bell Textron Inc</b>	204B, 205A, 205A-1	SH2186SO
	212, 412, 412EP	SH1186SO
	205B, 222U	NR
<b>DeHavilland Aircraft of Canada LTD</b> (Formerly Bombardier Inc.)	DHC-8-100, DHC-8-200, DHC-8-300 Series	STO1562NY
<b>Dassault Aviation</b>	Fan Jet Falcon C, D, E, F	SA1215SO
<b>Embraer S A</b> (Formerly Empresa Brasileira)	EMB-110P1, EMB-110P2	SA1167SO
<b>Gulfstream Aerospace Corp.</b>	G-159	SA5525NM
	G-1159	NR
<b>Israel Aircraft Ind. Ltd.</b>	1121, 1121A, 1121B	SA1213SO
	1123, 1124	SA1214SO
<b>Learjet Inc.</b>	23, 24, 24A, 24B, 24B-A, 24C, 24D, 24D-A, 24E, 24F, 24F-A, 25, 25A, 25B, 25C, 25D, 25F, 28, 29, 35, 35A, 36A	STIO33SO
	31, 31A, 55, 55B, 55C, 60	NR
<b>Lockheed Martin Corp.</b>	1329-23A, 1329-23D, 1329-23E	STIO32SO
<b>Mitsubishi Heavy Industries LTD</b> (Formerly Mitsubishi Aircraft Int'l. Inc.)	MU-2B, MU-2B-10, -15, -20, -25, -26, -26A, -30, -35, -36, -36A, -40, -60	SA1042SO
<b>Pilatus Aircraft LTD</b>	PC-12, PC-12/45, PC-12/47, PC-12/47E	SAO0867DE
<b>Piper Aircraft Inc.</b>	PA-31T, PA-31T1, PA-31T2 Series, PA-42, PA-42-720 Series	SAI728SO
<b>Sabreliner Aviation LLC</b> (Formerly Sabreliner Corp.; Rockwell Int'l.; North American Rockwell Corp.)	NA265, NA265-20, -30, -40, -60, -65, -70, -80	STIO31SO
<b>Sikorsky Aircraft Corp</b>	S-76A, S-76C	SR01601NY-D
	S-76B	NR
<b>Daher Aerospace</b> (Formerly Socata)	TBM-700	NR
<b>Textron Aviation, Inc.</b> (Formerly Cessna Aircraft Company)	208, 208A, 208B	STO1117LA
	425	SA2245SO
	500, 501, 550, S550, 551, 560	SA1051SO
	525, 525A	SAO1203LA
	650 Series	STO1185LA
	560XL	NR
<b>Textron Aviation, Inc.</b> (Formerly Beech Aircraft Corp.; Raytheon Aircraft Corp.; Hawker Beechcraft Corp.; Beechcraft Corp.)	65-90, 65-A90, 65-A90-4, 65-A90-1 (JU-21A, U-21A, RU-21A, RU-21D, U-21G), 65-A90-4 (RU-21E, RU-21H), B90, C90, C90A, C90GT, C90GTI, E90, 99, A100	SAI017SO
	B100	SAI018SO
	200(A100-1(U-21U)), 200C, 200CT, 200T, A200 (C-12A, C-12C), A200CT (C-12D, FWC-12D, RC-12D, C-12F, RC-12G, RG-12H, RC-12K, RC-12P), B200, B200C (C-12R, UC-12F, UC-12M, C-12FR), B200CT, B200T, 300, 300LW, B300 (350, 350I) B300C (350C)	SAI016SO
	400A S/N #RK-98 and after, Hawker 1000, MU-300-10, 400, 400T	NR
	99A, 100, A99, A99A, A100, A100A	SA894SO
	C90, E90, B99, F90	SAI013SO
	200, 200C, 200CT, 200T, B200, B200C, B200CT, B200T, B200GT, B200CGT, 300, B300 (350, 350I), B300C (350C), 390, C90, C90A, C90GT, E90, 1900	SAO0889DE
<b>Twin Commander Aircraft</b> Formerly Twin Commander Aircraft Corp., Gulfstream Aerospace Corp., Gulfstream American Corp., Rockwell Aero Commander Aircraft)	680T, 680V, 680W	SA887SO
	690, 690A	SAI059SO

NR: Not Required