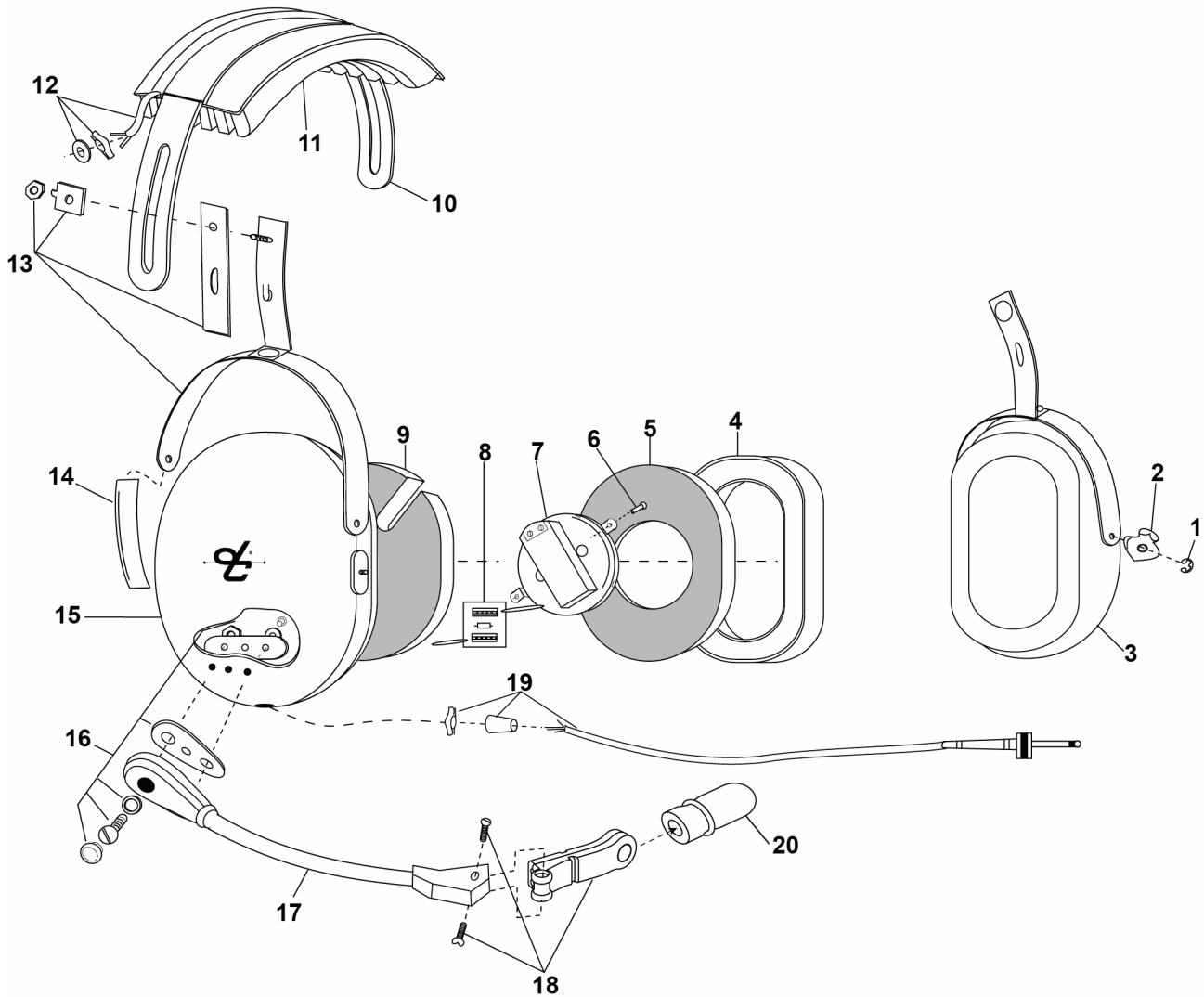




WWW.DAVIDCLARK.COM

**PARTS LIST  
MODEL H3530**



No.	Description	Part No.
1	Retaining Ring (10/pk)	00009M-03
2	Dome Stop	15097P-01
3	Left Dome	11696P-33
4	Earseal (pair)	18316G-02
5	Dome Filter	25629P-03
6	Screws (10/pk)	13180P-03
7	Earphone Assembly	10376G-17
8	PCB Assembly	18289G-13
9	Dome Filter	26475P-02
10	Headband Spring	25630P-01

No.	Description	Part No.
11	Headpad Assembly	10133G-41
12	Overhead Cord Assembly	22607G-01
13	Stirrup Assembly	22378G-01
14	Heat Shrinkable Tubing (10/pk)	18326G-01
15	Right Dome	11696P-34
16	Boom Attachment Kit	12840G-07
17	Flex Boom Assembly	18740G-52
18	DC-1A Microphone	18920G-04
19	Comm Cord Kit	18028G-45
20	Mic Protector	40062G-06

### ELECTRICAL SCHEMATIC MODEL H3530

