



OPERATION & SERVICE MANUAL



**Model: 07-3015-0900
Fuel System
Leak Test Unit**

09/2019 – Rev. 03

REVISION	DATE	TEXT AFFECTED
01	02/2013	Original release
02	10/2013	Modified Parts List
03	06/2017	Major revision
04	09/2019	Modified Parts List



TABLE OF CONTENTS

	<u>PAGE</u>
1.0 PRODUCT INFORMATION	1
1.1 DESCRIPTION.....	1
1.2 MODEL & SERIAL NUMBER.....	1
1.3 MANUFACTURER.....	1
1.4 SPECIFICATIONS	1
2.0 SAFETY INFORMATION.....	1
2.1 USAGE AND SAFETY INFORMATION	1
3.0 PREPARATION FOR USE	1
4.0 TRAINING	2
4.1 TRAINING REQUIREMENTS	2
4.2 TRAINING PROGRAM	2
4.3 OPERATOR TRAINING	2
5.0 OPERATION.....	2
5.1 USAGE	2
5.2 MISCELLANEOUS.....	2
6.0 PROVISION OF SPARES.....	2
6.1 SOURCE OF SPARE PARTS.....	2
6.2 RECOMMENDED SPARE PARTS LISTS	2
6.3 OPTIONAL KITS (Required for use on the S92 helicopter)	2
7.0 IN SERVICE SUPPORT.....	3
8.0 GUARANTEES/LIMITATION OF LIABILITY	3
9.0 APPENDICES	3
9.1 ADDITIONAL DOCUMENTS.....	Error! Bookmark not defined.

This product can not be modified without the written approval of Tronair, Inc. Any modifications done without written approval voids all warranties and releases Tronair, Inc., its suppliers, distributors, employees, or financial institutions from any liability from consequences that may occur. Only Tronair OEM replacement parts shall be used.

1.0 PRODUCT INFORMATION

1.1 DESCRIPTION

The Tronair Fuel System Leak Test Unit is designed to provide a safe and efficient way to check the fuel lines in Sikorsky aircraft. In the process, fuel is cleaned.

1.2 MODEL & SERIAL NUMBER

Reference nameplate on unit

1.3 MANUFACTURER

TRONAIR, Inc.
1 Air Cargo Pkwy East
Swanton, Ohio 43558 USA

Telephone: (419) 866-6301 or 800-426-6301
Fax: (419) 867-0634
E-mail: sales@tronair.com
Website: www.tronair.com

1.4 SPECIFICATIONS

- Overall Height: 43"
- Overall Width: 34 ½ "
- Overall Depth: 25 11/16"
- Weight: 300 pounds
- Finish: Tronair Blue Acrylic Enamel
- Welded cart with 12" diameter wheels
- Tool Tray
- Air operated diaphragm pumps
- 12 GPM maximum flow
- 50 PSI maximum operating pressure
- 50 PSI Safety valve
- Air inlet control valve
- ½ micron fuel filtration (98% particle removal efficiency)
- 20 foot and 50 foot static discharge reels
- 20 foot suction hose with shutoff valve
- 40 foot discharge hose
- Various suction hose adaptors
- Air inlet filter and oiler

Optional Kits are required for use on the S92 helicopter. See 5.0 Optional Kits

2.0 SAFETY INFORMATION

2.1 USAGE AND SAFETY INFORMATION

To insure safe operations please read the following statements and understand their meaning. Also refer to your equipment manufacturer's manual for other important safety information. This manual contains safety precautions which are explained below. Please read carefully.



WARNING! — Warning is used to indicate the presence of a hazard that **can cause severe personal injury, death, or substantial property damage** if the warning notice is ignored.

CAUTION! — Caution is used to indicate the presence of a hazard that **will or can cause minor personal injury or property damage** if the caution notice is ignored.

3.0 PREPARATION FOR USE

The Tronair Fuel System Leak Test Unit is shipped fully assembled and is ready to use after unpacking. Generally inspect unit and check fittings for tightness after shipment.

4.0 TRAINING**4.1 TRAINING REQUIREMENTS**

The employer of the operator is responsible for providing a training program sufficient for the safe operation of the unit.

4.2 TRAINING PROGRAM

The employer provided operator training program should cover safety procedures concerning use of the unit in and around the intended aircraft at the intended aircraft servicing location.

4.3 OPERATOR TRAINING

The operator training should provide the required training for safe operation of the unit.

NOTE: Maintenance and Trouble Shooting are to be performed by a skilled and trained technician.

5.0 OPERATION**5.1 USAGE**

To use your Fuel System Leak Test Unit, follow these steps below in conjunction with the aircraft maintenance manual test procedure:

**CAUTION!**

To prevent possible explosion, static discharge cable must be connected to proper grounds.

1. Check fluid level in air lubricator and air filter sight glass
2. Attach both static discharge lines to aircraft and containment unit
3. Ensure air supply ball valve and air flow control valve are in the off position
4. Attach air supply to unit
5. Slowly open air supply ball valve
6. Adjust regulator pressure as required, do not exceed 50 psi
7. Select high flow or low flow air requirement on control panel
8. Select high flow or low flow fuel pump requirement on control panel
9. Select high flow or low flow fuel pump requirement on unit
10. Select desired flowmeter discharge rate
11. Adjust air flow control valve as required to start fuel flow

NOTE: Fuel flow must be controlled by flow meter ball valves.

5.2 MISCELLANEOUS

The pump can run "dry" without damage for a short period of time (less than 5 minutes), therefore, to rid Fuel System Leak Test Unit hoses of as much fuel as possible leave pump operate until fuel flow ends from discharge tube.

NOTE: If a loss in flow is noticed, the filter elements are becoming blocked off with dirt. When flow is cut drastically, replace elements.

NOTE: For aviation fuel service please refer to cartridge operating procedures that are supplied with each cartridge shipment.

6.0 PROVISION OF SPARES**6.1 SOURCE OF SPARE PARTS**

Spare parts may be obtained from the manufacturer:

TRONAIR, Inc.

1 Air Cargo Pkwy East

Swanton, Ohio 43558 USA

Telephone: (419) 866-6301 or 800-426-6301

Fax: (419) 867-0634

E-mail: sales@tronair.com

Website: www.tronair.com

6.2 RECOMMENDED SPARE PARTS LISTS

Reference the following page(s) for Replacement Parts and Kits available.

6.3 OPTIONAL KITS (Required for use on the S92 helicopter)

K-4409 Assembly, ENG Hose Fuel Test

K-4410 Assembly, APU Hose Fuel Test



7.0 IN SERVICE SUPPORT

Contact Tronair, Inc. for technical services and information. See Section 1.3 – Manufacturer.

8.0 GUARANTEES/LIMITATION OF LIABILITY

Tronair products are warranted to be free of manufacturing or material defects for a period of one year after shipment to the original customer. This is solely limited to the repair or replacement of defective components. This warranty does not cover the following items:

- a) Parts required for normal maintenance
- b) Parts covered by a component manufacturers warranty
- c) Replacement parts have a 90-day warranty from date of shipment

If you have a problem that may require service, contact Tronair immediately. Do not attempt to repair or disassemble a product without first contacting Tronair, any action may affect warranty coverage. When you contact Tronair be prepared to provide the following information:

- a) Product Model Number
- b) Product Serial Number
- c) Description of the problem

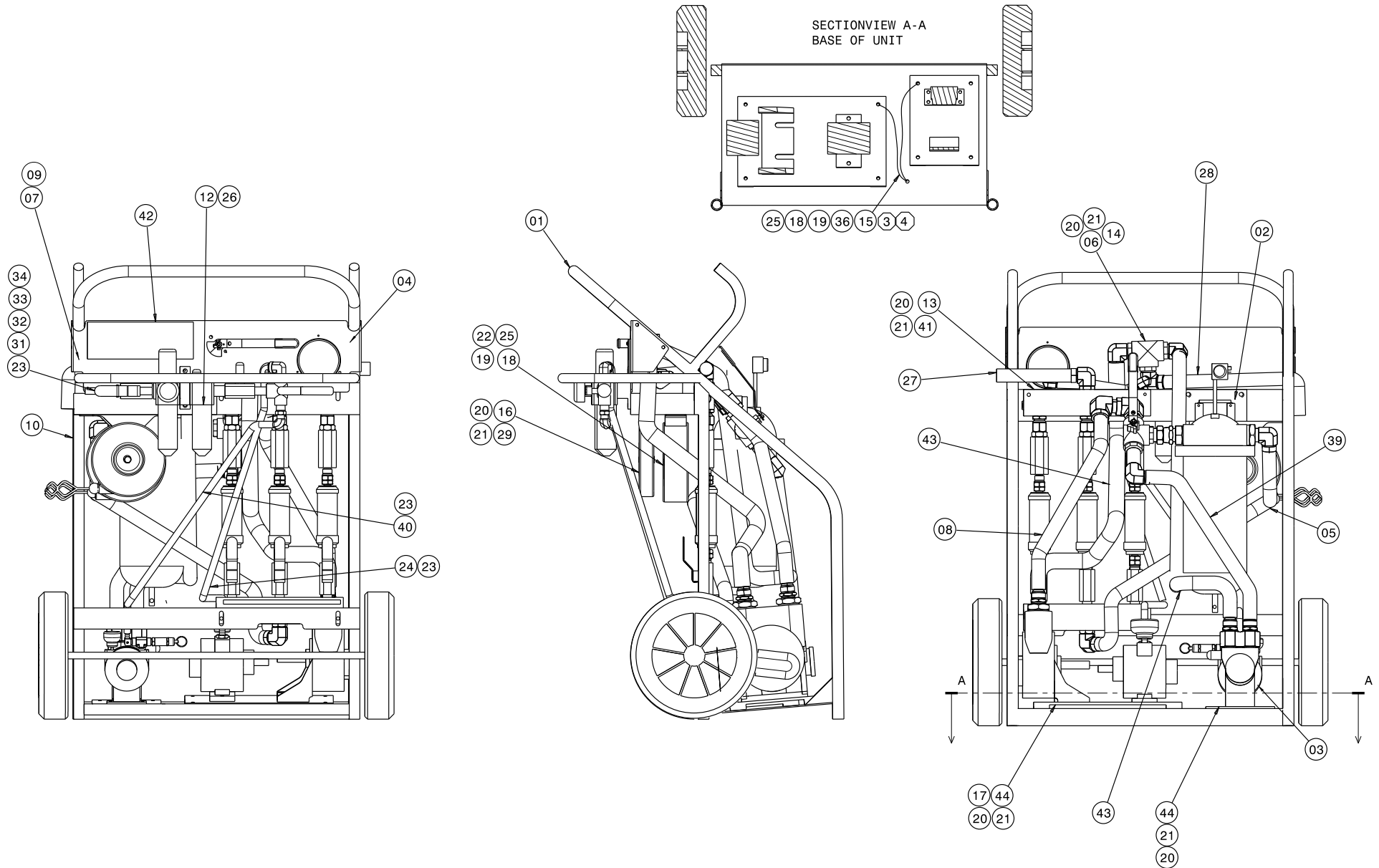
If warranty coverage is approved, either replacement parts will be sent or the product will have to be returned to Tronair for repairs. If the product is to be returned, a Return Material Authorization (RMA) number will be issued for reference purposes on any shipping documents. Failure to obtain a RMA in advance of returning an item will result in a service fee. A decision on the extent of warranty coverage on returned products is reserved pending inspection at Tronair. Any shipments to Tronair must be shipped freight prepaid. Freight costs on shipments to customers will be paid by Tronair on any warranty claims only. Any unauthorized modification of the Tronair products or use of the Tronair products in violation of cautions and warnings in any manual (including updates) or safety bulletins published or delivered by Tronair will immediately void any warranty, express or implied.

The obligations of Tronair expressly stated herein are in lieu of all other warranties or conditions expressed or implied. **Any unauthorized modification of the Tronair products or use of the Tronair products in violations of cautions and warnings in any manual (including updates) or safety bulletins published or delivered by Tronair will immediately void any warranty, express or implied and Tronair disclaims any and all liability for injury (WITHOUT LIMITATION and including DEATH), loss or damage arising from or relating to such misuse.**

9.0 APPENDICES

- APPENDIX I Static Discharge Grounding Reel Installation/Operation Instruction
- APPENDIX II Differential Pressure Gauge
- APPENDIX III Norgren Lubricators
- APPENDIX IV Norgren General Purpose and Oil Removal Filter/Regulators

Parts List Illustration

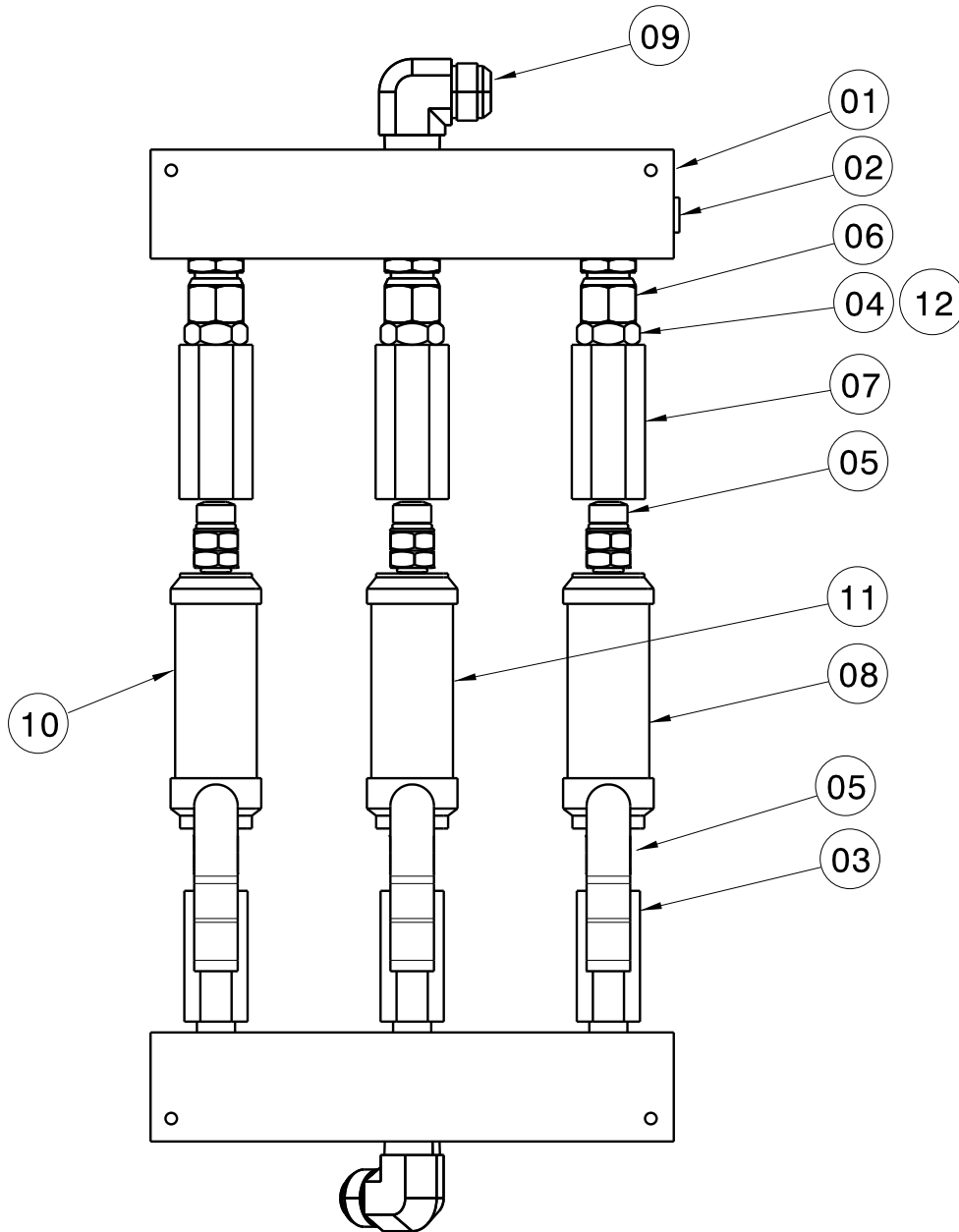




Parts List

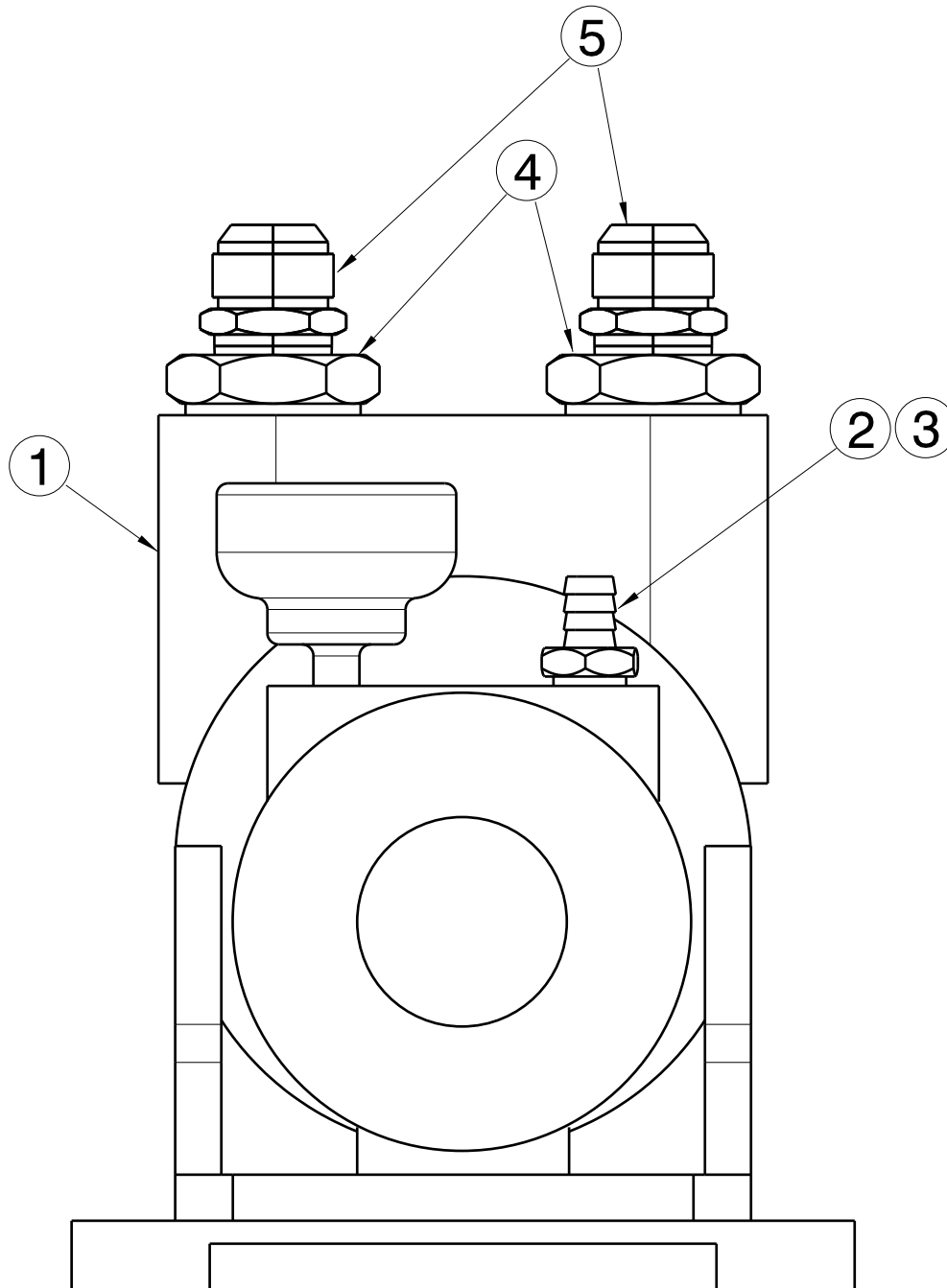
Item	Part Number	Description	Qty
1	H-3425-01	Cart, Fuel Vacuum Transfer Unit	1
2	Z-7186	Assembly, Filter Inlet	1
3	Z-7185	Assembly, ¼" Pump	1
4	V-1001	Label, Made In USA	1
5	TF-1050-02*42.0	Assembly, Hose	1
6	Z-7184	Assembly, Valves	1
7	V-1003	Label, Serial Number	1
8	TF-1050-02*18.0	Assembly, Hose	1
9	V-1002	Label, Tronair	1
10	V-1170	Label, Caution	1
12	Z-7401	Assembly, Air Control	1
13	Z-7117	Assembly, Flowmeters	1
14	G-1100-106012	Bolt, HH GR 5, 5/16 – 18 x 1 ¼ Long	8
15	EC-1572-06*09.0	Wire, Electrical 4 Awg Green/Yellow	2
16	H-1187	Reel, Static Discharge	1
17	Z-7116	Assembly, Pump	1
18	G-1250-1060N	Flatwasher, 5/16 Narrow	24
19	G-1202-1060	ESN, 5/16 – 18	9
20	G-1250-1050N	Flatwasher, ¼ Narrow	15
21	G-1202-1050	ESN, ¼ – 20	12
22	H-1186	Reel, Static Discharge	1
23	H-1516-11	Clamp, 2 Ear Hose	5
24	TF-1064-08*35.0	Hose, ½ ID	1
25	G-1100-106010	Bolt, HH GR 5, 5/16 – 18 x 1 Long	5
26	G-1100-105014	Bolt, HH GR 5, ¼ – 20 x 1.5 Long	4
27	Z-7402	Assembly, Discharge Hose	1
28	Z-7101	Assembly, Suction Hose	1
29	G-1100-105006	Bolt, HH GR 5, ¼ – 20 x ¾ Long	2
30	V-2133	Label, Replacement Element	1
31	N-2413-02	Plug, Female Thread ¼ "	1
32	N-2412-16	Connector, STR Male, -1/2 " NPT	1
33	N-2230-08-B	Connector, Reducing	1
34	TF-1064-08*300	Hose, ½ ID	1
36	EC-1034-16	Terminal, Ring Tongue	4
37	V-1406	Label, Max Pressure	1
38	V-2398	Label, Fuel Cart	1
39	TF-1050-02*23.0	Assembly, Hose	1
40	TF-1064-06*40.0	Hose, 3/8 ID	1
41	G-1100-105024	Bolt, HH GR 5, ¼ – 20 x 2.5 Long	4
42	V-2386	Label, Instructions	1
43	TF-1050-02*34.0	Assembly, Hose	2
44	G-1100-105014	Bolt, ¼ - 20 HH GR5	8

Flowmeters - Parts List



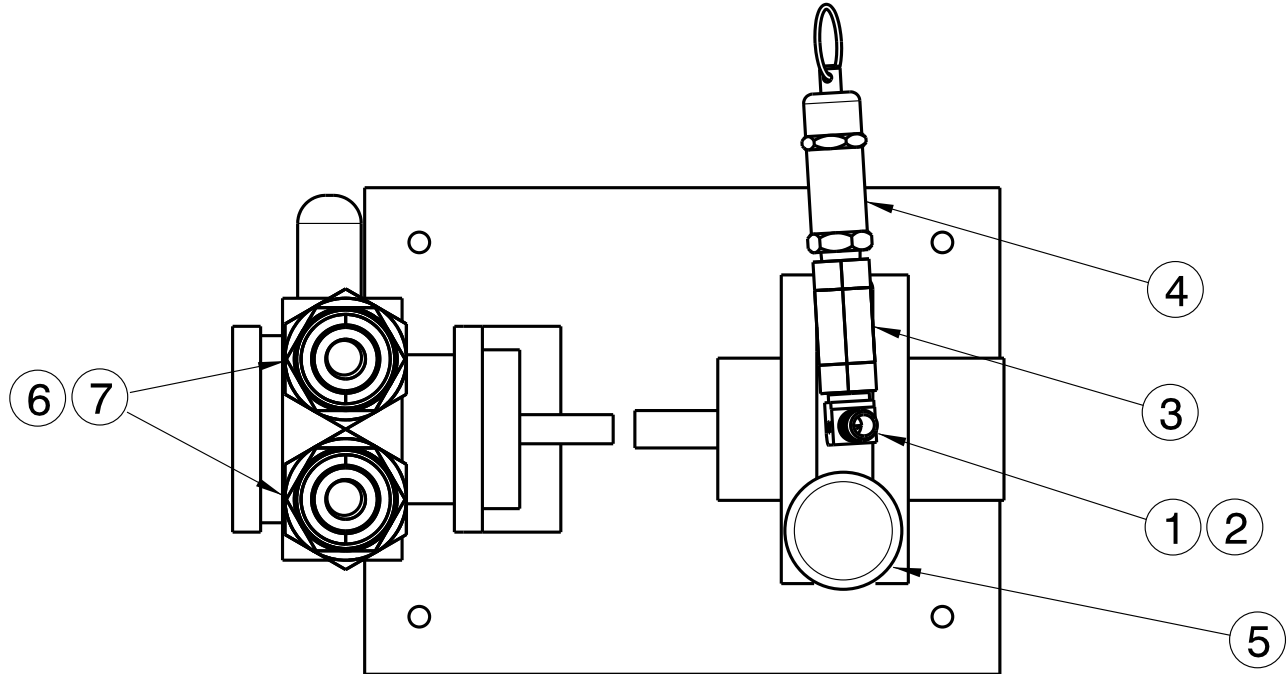
Item	Part Number	Description	Qty
1	J-4554	Manifold, Fuel Unit	2
2	N-2205-05-B	Plug, Hollow Hex ½ NPT	4
3	HC-1766-04	Valve, Ball SAE #12	3
4	N-2007-18-S-B	Connector, STR THD, -12 SA x -12 JIC	3
5	N-2464-15-S-B	Union, #12 x #10 SAE	6
6	N-2036-08-S-B	Swivel, 37° Female	3
7	HC-1734-04-005	Valve, Check #12 SAE	3
8	HC-2475-A1	Flowmeter, Fuel 0.5-5.0 GPM	1
9	N-2001-25-S-B	Elbow, Straight Thread	2
10	HC-2461-A1	Flowmeter, Fuel 0.1-1 GPM	1
11	HC-2460-A1	Flowmeter, Fuel 1-15 GPM	1
12	HC-1951-12	Conical Seal (-12)	3

0-15 gpm Pump - Parts List



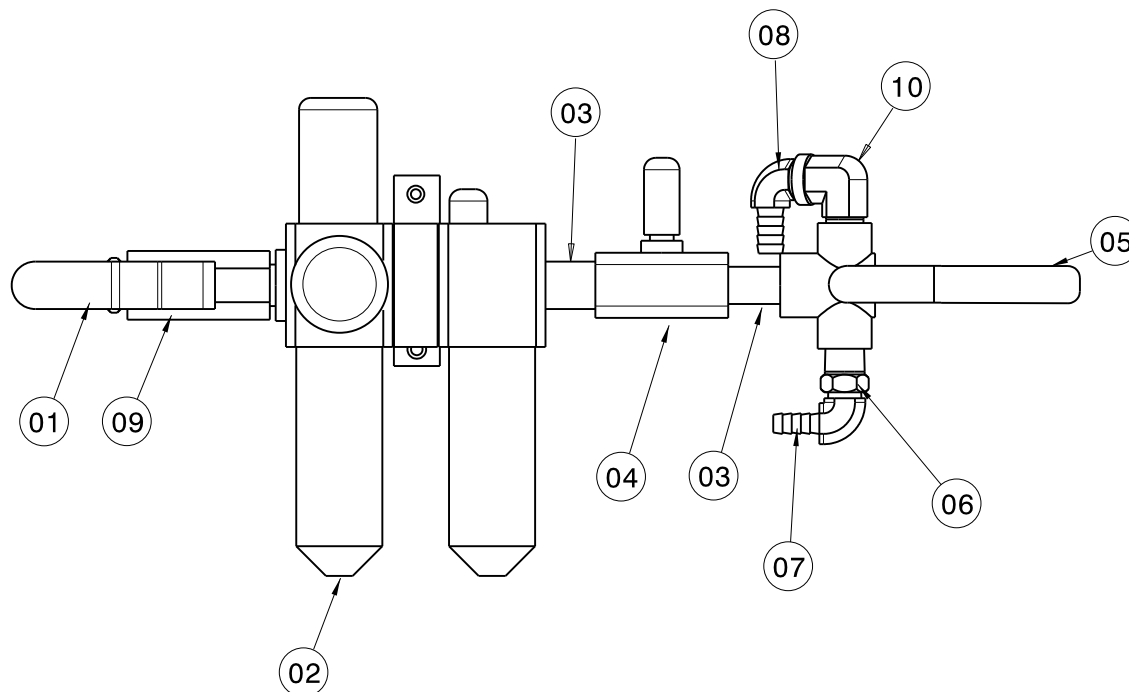
Item	Part Number	Description	Qty
1	PC-1139	Pump & Motor, 1" Pneumatic	1
2	N-2412-16	Connector, Straight Male, ½ NPT	1
3	H-1516-11	Clamp, 2 Ear Hose	1
4	N-2210-20-S	Reducer, Pipe 1 ¼ MNPT x 1" NPT	2
5	N-2009-23-S	Connector, Male #16	2

0.1-1.0 gmp Pump - Parts List



Item	Part Number	Description	Qty
1	H-1516-11	Clamp, 2 Ear Hose	1
2	N-2410-04	Elbow, 90° Male	1
3	N-2208-03-B	Tee, Male Branch	1
4	PC-1017-02-050	Valve, Safety	1
5	PC-1140	Pump, ¼ 0.1-1.0 GPM	1
6	N-2230-16-S	Connector, Reducing ½ " NPTM x 1" NPTF	2
7	N-2009-23-S	Connector, Male #16	2

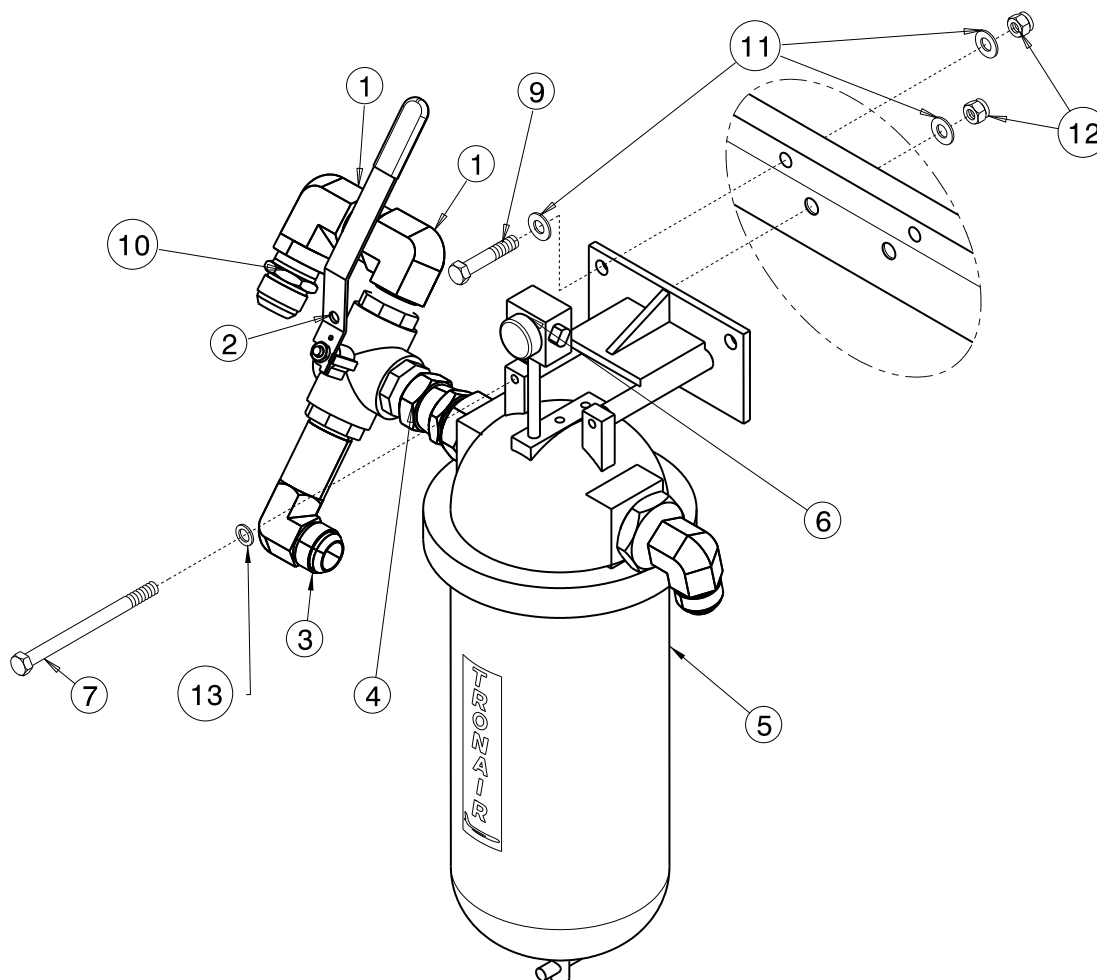
Filter Inlet - Parts List



Item	Part Number	Description	Qty
1	N-2412-16	Connector, Straight Male, ½ NPT	1
2	H-3338	FIL, REG, Lubricator	1
3	N-2203-09-B	Nipple, Pipe	2
4	HC-2510	½" NPT Needle Valve	1
5	H-3337	½" NPT 3-Way Ball Valve	1
6	N-2210-09-B	Reducer, Pipe Thread	1
7	N-2410-05	Elbow, 90° Male	1
8	N-2410-08	Elbow, 90° Male	1
9	HC-2350-03	Bale Valve, Male/Female	1
10	N-2200-10-S	Elbow, ½ NPT Male x ½ NPT Female	1

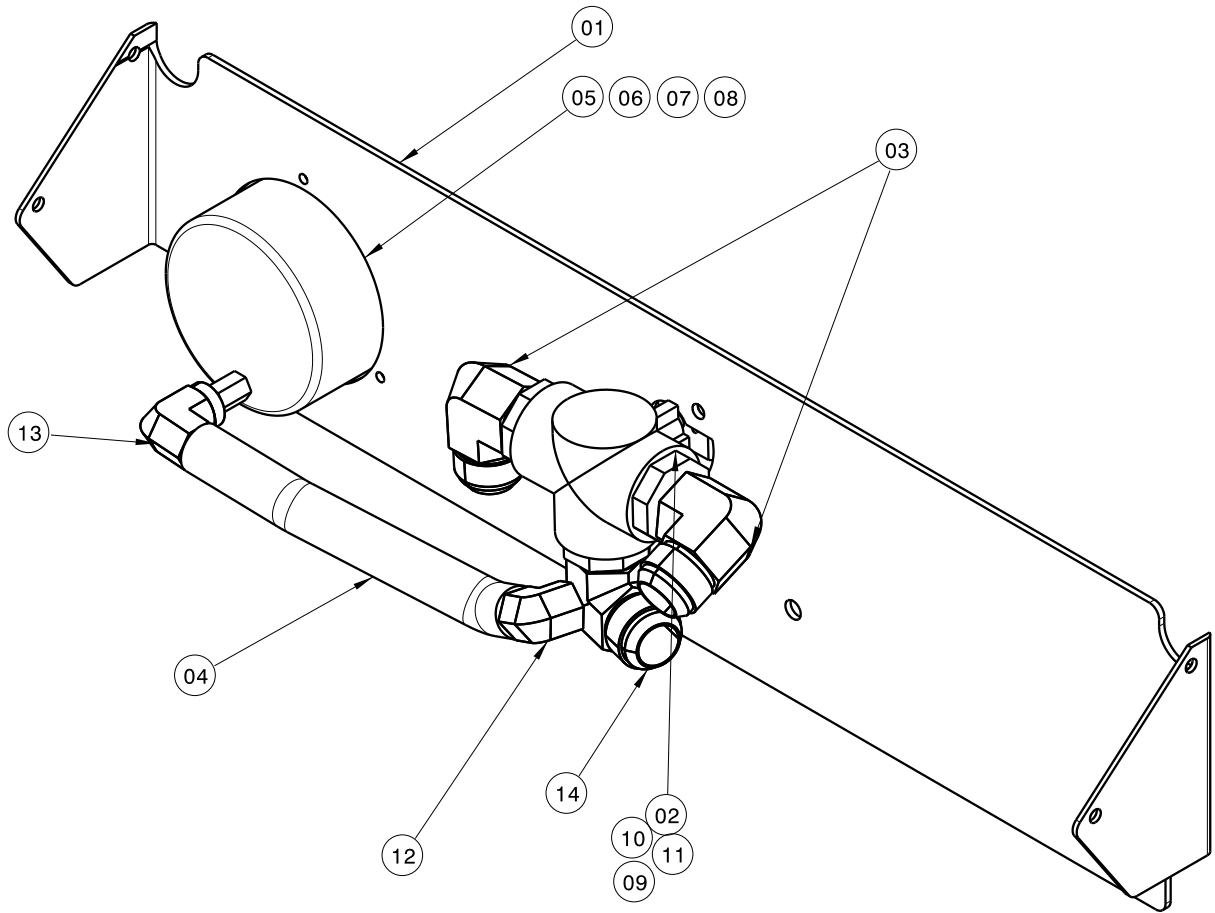
1ØW non detergent oil (ISO Grade 32) is recommended for lubricator

Flow Diversion - Parts List



Item	Part Number	Description	Qty
1	N-2200-18-S	Elbow, Street	2
2	HC-2465	Valve, 3-Way 1 NPT	1
3	N-2004-11-S	Elbow, Extra Long Male	2
4	N-2030-11-S	Swivel, #16 JIC x 1 NPT	1
5	Z-5037	Assembly, Filter	1
6	H-2944	Gauge, Differential Pressure	1
7	G-1100-107560	Bolt, HH GR 5, 5/8 - 24 x 6 LG	2
9	G-1100-107510	Bolt, HH GR 5, 5/8 - 24 x 1 LG	2
10	N-2009-23-S	Connector, Male, -16	1
11	G-1250-1070N	Flatwasher, 5/8 - 24	8
12	G-1202-1070	ESN, 5/8 - 24	4

Pump Adjustment - Parts List



Item	Part Number	Description	Qty
1	S-2486-01	Panel, Control	1
2	HC-2465	Valve, 3-Way 1 NPT	1
3	N-2005-23-S	Elbow, Male	1
4	TF-1050-05*10.0	Assembly, Hose	1
5	G-1439-1035-S	Nutsert, #10 – 32	3
6	G-1250-1030N	Flatwasher, #10 Narrow	3
7	G-1159-103505	Screw, #10 – 32, RD HD CRS REC	3
8	H-3246-C	Gauge, -30 to 60 psi/bar	1
9	G-1202-1050	ESN, ¼ - 20	2
10	G-1250-1050N	Flatwasher, ¼ Narrow	2
11	G-1151-105006	Screw, ¼ - 20 HEX SOC HD CAP	2
12	N-2005-14-S	Elbow, Male, ½ JIC x ½ NPT	1
13	N-2006-12-S	Elbow, Female, ½ NPT x ½ JIC	1
14	H-3435	Elbow, Male (modified)	1



Z-7402
Discharge Hose Assembly - Parts List

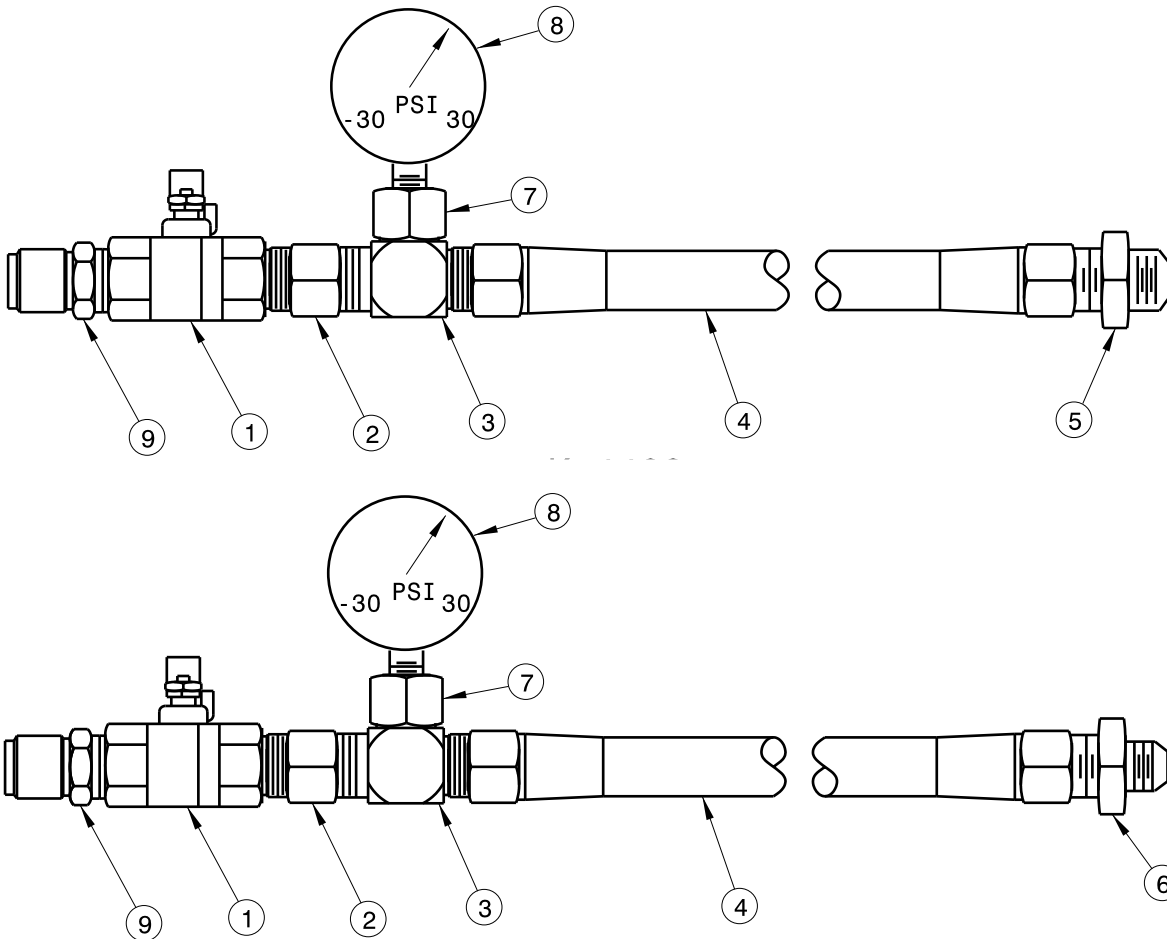
Item	Part Number	Description	Qty
1	TF-1050-02*480	Assembly, Hose	1
2	N-2011-10-S	Union	1
3	N-2008-10-S	Cap, #16	1
4	TF-1050-03*48.0	Assembly, Hose (Shipped Separate)	1
5	N-2014-07-S	Plug (Shipped in Item 4)	1

Z-7101
Suction Hose Assembly - Parts List

Item	Part Number	Description	Qty
1	TF-1050-02*240	Assembly, Hose	1
2	N-2009-24-S	Connector, Male	1
3	H-2666-04	Valve, Ball	1
4	N-2203-11-S	Nipple Pipe	1
5	H-3429	Socket, High Flow, 3/4 NPT	1
6	H-3428	Plug, High Flow, 3/4 NPT	1
7	N-2902-05	Cap, 3/4 Female	1

Parts List

When ordering replacement parts/kits, please specify model, serial number and color of your unit.



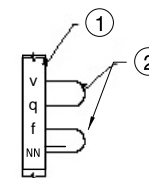
Item	Part Number	Description	Qty
	K-4737	Kit, Fuel Cart Hose Replacement; consists of:	
1	H-2666-04	Valve, Ball ¼ NPTF	2
2	N-2030-09-S	Swivel, ¾ MNTP x 12 JIC Female	2
3	N-2032-15-S	Tee, Male Run, ½ NPTF x -12 M x -12 M	3
4	TF-1476	Hose, -12 Female Swivel	2
5	N-2011-08-S	Union, -12 M to -12 M	1
6	N-2011-28-S	Union, -12 M to --6 M	1
7	N-2210-08-S	Reducer, ½ MNPT x ¼ FNPT	2
8	HC-2505	Gauge, -30 x 30 psi 2.5 Dial ¼ NPT	2
9	H-3428	Plug, Male Quick Disconnect	2

NOTES:

1. K-4739 (92700-20507-041) to be used for fuel ATP to jumper wires on CH-148 aircraft.
2. Wire to be M22759/43-20-9
3. Perform continuity check between pins and assure there are no shorts among pins
4. Wire all per schematic
5. All soldering shall be in accordance with MIL-STD-454, requirement number 5
6. Solder shall be type SN60WRMAP3 per J-STD-006
7. Use AS50881 as a guide for wire coding and installation
8. MS27488-20-2 pin plugs to be put in and unused terminals in D38999/20JJ61NH connector for protection

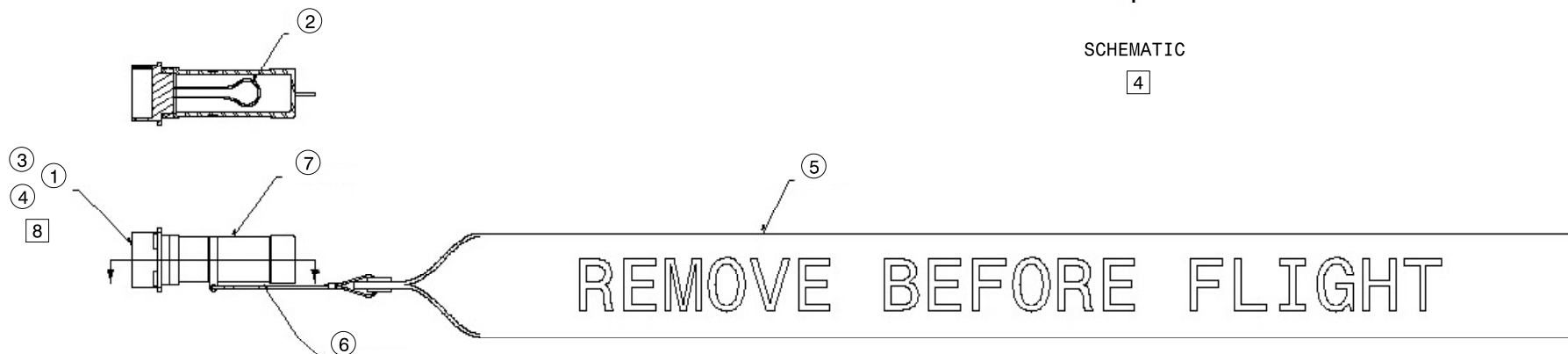
Parts List

When ordering replacement parts/kits, please specify model, serial number and color of your unit.

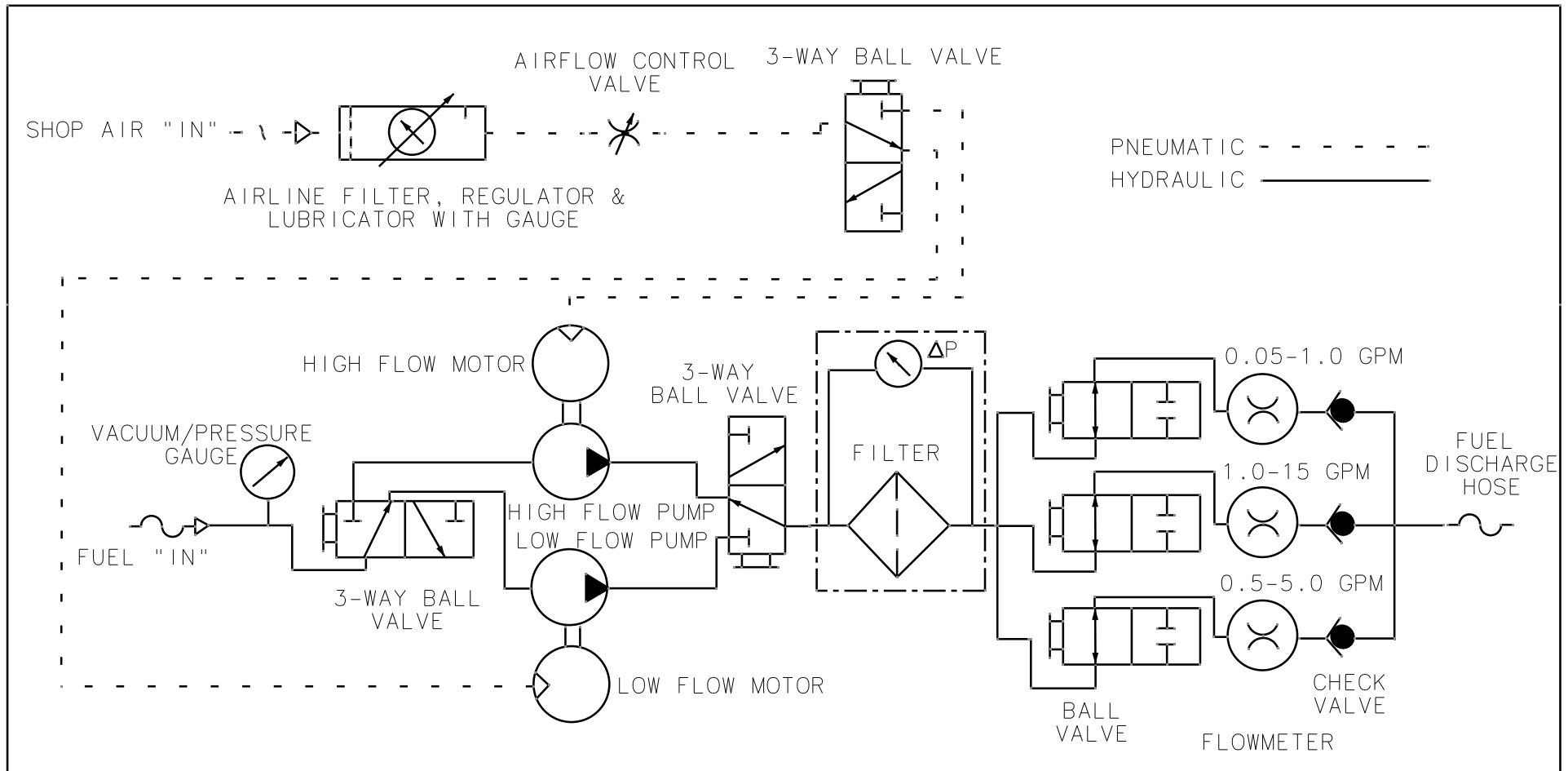


SCHEMATIC

4



Item	Part Number	Description	Qty
	K-4739	Kit, Jumper Plug; consists of:	
1	D38999-20JJ61HN	Connector	2
2	M22759-43-20-9	Wire	1 ft
3	M39029-107-621	Contact Pin	4
4	MS27488-20-2	Plug Seal	57
5	B-160-02	Banner, Remove Before Flight	1
6	H-1026*07.0	Assembly, Lanyard	1
7	340HS001B25-6C	Backshell	1





APPENDIX I

Static Discharge Grounding Reel Installation/Operation Instruction

STATIC DISCHARGE GROUNDING REEL INSTALLATION / OPERATION INSTRUCTION SHEET P/N 922-30-028

Introduction

Static Discharge Reels; 200-20R, 700-50R and ML2930 & ML3416 Series to be used for bonding and grounding on mobile fuel equipment at bulk stations, airports, terminals, refineries, et cetera.

Bonding and Grounding Principles

Bonding connects various pieces of conductive equipment together to keep them at the same potential. Static sparking can not occur between objects that are at the same potential.

Grounding is a form of bonding in which conductive equipment is connected to an earthing electrode or to a building grounding system in order to prevent sparking between conductive equipment and grounding structures.

Refer to the National Fire Protection Association Codes, NFPA 77 and NFPA 99 for recommended practice on static electricity.

Reel Installation

Mount Grounding Reel to object or vehicle with bolts using holes provided in base. Underside of bracket is unpainted providing a conductive surface to interface with a clean conductive surface on the object or vehicle. After mounting reel check electrical continuity (25 ohms. max.) between object or vehicle and grounding clamps at the end of the cable.

Reel Operation

Extend cable to desired object or earthing ground lug and clamp alligator jaw grip or other grounding connector in place. A pawl and ratchet permits locking of cable at any desired length within the reel's capacity. A simple tug on the cable unlocks the reel for a smooth and steady walk-back retraction.

Perform periodic tests of the bonded object to the ground clamp on the end of the cable grounding reel with Ohm Meter to confirm continuity. Maximum resistance to be 25 ohms. If higher, remove and replace reel. Inspect the entire cable length for kinks and/or broken wires. Inspect the cable clamp for good compression force and/or damage.

Caution: Do not use any part of the electrical current carrying system as a ground for static grounding. Arcing and fires could occur from current feedback where static control grounds are tied into the electrical system neutral.

WARNING:

This product can aid in the discharge of static electricity. No prediction or advice, however, can be given about all the different conditions which can cause static discharges to accumulate. Moreover, it can not be guaranteed that the use of this product (without other precautionary steps) will prevent static ignited fires or explosions which may result in serious injury or death.

SEEK PROFESSIONAL ADVICE BEFORE INSTALLING AND / OR USING THIS PRODUCT.



APPENDIX II

Differential Pressure Gauge

H-2944
Rev OR

EC 1512
08/2006



VF-61 Differential Pressure Gauge Assembly Part Number 10678



Differential Pressure Gauge Kit for use with the VF-61 Housing

This unit measures pressure difference between two points. The gauge allows for a simple reading on an easy-to-read scale. A red/green dial with a breakpoint located at 15 psid alerts the user of the condition of the process.

This kit consists of the following components:

- Differential Pressure Gauge: aluminum body, 1/8" NPT bottom, 1" molded lens & 0-20 psid scale,
- Compression Fittings: 1 straight, 1 90° elbow
- 1/4 O.D. Copper Tubing

Operation

When the needle is in the green zone of the gauge during normal flow, the differential pressure is less than 15 psid across the installed element, and the element does not need to be changed out.

When the needle is in the red zone, the differential pressure is more than 15 psid and the element should be changed out. It has reached its recommended maximum pressure differential.

CAUTION:

Do not mount the P/N 10678 differential pressure gauge assembly any closer than 2" from a steel bracket or pipe. The gauge has a magnetic piston, and mounting too close to steel may affect the accuracy.



APPENDIX III

Lubricators



L01, L07, L08, L11, L15, L17, L64, L68, L72, L73, L74

UI-300

9/00 (Supersedes 11/97)

LUBRICATORS (ENGLISH)

Contact your Norgren supplier for complete instructions and kits.

Installation - Shut off air pressure. Install in air line:

- vertically (reservoir down),
- with air flow in direction of arrow on body,
- downstream of filters and regulators,
- upstream of cycling valves,
- as close as possible to the device being lubricated.
- Oil-Fog Models - Not more than 15 feet (5,2m) from the device being lubricated, and at the same height or higher than the device.
- Make sure reservoir and reservoir guard if so equipped are turned fully clockwise into body before pressurizing.

Servicing - Fill reservoir with a light, misting type oil suitable for compressed air tools. Micro-fog models cannot be filled under pressure.

Adjustment - Turn adjustment on sight feed dome to increase/decrease oil delivery. Monitor the device being lubricated and readjust if needed.

Warning

These products are intended for use in industrial compressed air systems only. Do not use these products where pressures and temperatures can exceed those listed on the product label.

Polycarbonate plastic reservoirs can be damaged and possibly burst if exposed to such substances as certain solvents, strong alkalis, compressor oils containing ester-based additives or synthetic oils. Fumes of these substances in contact with the polycarbonate reservoir, externally or internally, can also result in damage. Clean with warm water only.

Use metal reservoir in applications where a plastic reservoir might be exposed to substances that are incompatible with polycarbonate.

In lubrication applications some oil mist may escape from the point of use in to the surrounding atmosphere. Users are referred to safety and health standards for limiting oil mist contamination and utilization of protecting equipment.

Before using with fluids other than air, for nonindustrial applications, or for life support systems, consult Norgren.

LUBRIFICADORES (PORTUGUESE)

Consulte seu fornecedor Norgren para instruções completas e kits de reparo.

Instalação - Desligue a pressão de ar. Instale na linha de ar:

- Verticalmente (reservatório para baixo),
- Com o fluxo de ar na direção da seta no corpo,
- Após os filtros e reguladores,
- Antes das válvulas de controle direcional,
- Tão próximo quanto possível do dispositivo que está sendo lubrificado,
- Modelos Oil-Fog - não mais que 5,2 m (15 pés) ou mais alto do dispositivo que está sendo lubrificado,
- Certifique-se que o reservatório e o protetor do reservatório, se equipados, girem completamente no sentido horário dentro do corpo, antes de pressurizar.

Manutenção - Preencha o reservatório com óleo, apropriado para ferramentas de ar comprimido.

Regulação - Gire ajustando a cúpula visora para aumentar/diminuir a distribuição de óleo. Monitore o dispositivo que está sendo lubrificado e reajuste, se necessário.

Advertências

Estes produtos devem ser usados somente em sistemas de ar comprimido industrial. Não os use onde pressões e temperaturas excederem aqueles listados nas etiquetas dos produtos.

O copo de policarbonato pode ser danificado e possivelmente rompido se exposto a substâncias tais como certos solventes, substâncias alcalinas, óleos de compressor contendo aditivos com base em ésteres ou óleos sintéticos. Vapores destas substâncias em contato com o copo de policarbonato, externa ou internamente, podem danificá-lo. Limpe somente com água morna.

Use copo de metal em aplicações onde o copo transparente possa ser exposto a produtos incompatíveis com o policarbonato. Em algumas aplicações para lubrificação, parte da névoa de óleo pode escapar do ponto de uso para a atmosfera. Os usuários devem se referir às normas de segurança para limitar a contaminação por névoa de óleo, bem como para a utilização de equipamento de proteção.

Antes de usar outros fluidos para aplicações não industriais ou para sistemas de suporte à saúde, consulte a Norgren.

ルブリケーター

詳細及びキットに関しては供給元にお問い合わせ下さい。

取付方法:

- 空気圧力を閉じます。
- 空気配管に垂直で、タンクを下に掛けて取付けます。
- 本体上の矢印に気流方向を合わせます。
- フィルタ、レギュレータの二次側に取付。
- バルブの一次側に取付。
- 潤滑する機器に出来るだけ近い位置に取付けます。
- オイルフォグモデルは潤滑する機器から5.2m以内で、機器と同じか、それより高い所に取付けます。
- 圧力をかける前に、タンクをタンクガードを右回りに同じ、完全な締め付けを確認ください。

メンテナンス:

圧縮空気機器に適したタービン油1種相当品をタンクに満たします。

調整:

滴下量の増減はサイトドームで調整して下さい。滴下量を調べ、必要なら再調整します。

注意事項:

当該製品は工業用圧縮空気システムのみ使用できるように作られています。製品ラベル記載以外の温度、圧力では使用出来ません。

ポリカーボネイト製プラスチックタンクはある種の潤滑油、強アルカリ性剤、エステル性添加物を含むコンプレッサ用油、あるいは合成油に接触すると、破損又は破裂する恐れがあります。又これらの物質から出るガスがポリカーボネイト製タンクの内部又は外部と接触すると、破損することがあります。清浄には温湯のみ使用して下さい。

ポリカーボネイト製プラスチックに適さない物質に接触する恐れがある場合は、金属製タンクを使用して下さい。

潤滑油使用にあたっては、若干の噴霧油が使用箇所から漏れることがあります。噴霧油による汚染や保護器具の使用に関する安全健康基準をご参考下さい。

空気以外の媒体や工業用以外の用途、又は生命維持システムに当該製品を使用する場合は、ノルデン社までお問い合わせ下さい。

LUBRIFICATORI (ITALIAN)

Contattare il Vostro fornitore Norgren per istruzioni complete e ricambi.

Installazione - Togliere la pressione dell'aria. Posizione sulla linea:

- Verticalmente (serbatoio in basso),
- Con il flusso aria in direzione della freccia riportata sul corpo,
- A valle dei filtri e dei regolatori,
- A monte delle valvole di controllo,
- Il più vicino possibile al dispositivo da lubrificare,
- Modelli a Nebbia d'Olio - A non meno di 5 m dal dispositivo che deve essere lubrificato ed alla stessa altezza o più in alto dello stesso,
- Accertarsi che il serbatoio e la relativa protezione, se forniti, siano montati avvitandoli completamente in senso orario all'interno del corpo prima di dare pressione.

Manutenzione - Riempire il serbatoio con un olio a bassa viscosità adatto per attrezzature ad aria compressa.

Regolazione - Girare il dispositivo di regolazione posto sulla cupola spia per aumentare o diminuire l'erogazione di olio. Controllare l'apparecchio che deve essere lubrificato e regolare di nuovo se necessario.

Avvertenza

Questi prodotti sono adatti esclusivamente all'impiego su sistemi industriali ad aria compressa. Non impiegare in presenza di pressioni e temperature superiori a quelle riportate sulla targhetta.

La tazza in policarbonato usata su questi lubrificatori può venire danneggiata od per compressore contenenti additivi od oli sintetici. I fumi di queste sostanze a contatto con la tazza in policarbonato, esternamente o internamente, possono risultare altrettanto dannosi. Pulire esclusivamente con acqua tiepida.

Adottare la tazza metallica in applicazioni nelle quali quella in plastica potrebbe essere esposta a sostanze incompatibili con il policarbonato.

Nelle applicazioni di lubrificazione dei vapori d'olio potrebbero fuoriuscire dal punto di utilizzo e spandersi nell'atmosfera circostante. Gli utilizzatori sono tenuti a mantenere gli standard di sicurezza e sanità limitando la contaminazione da nebbia d'olio utilizzando le adeguate protezioni.

Prima dell'impiego con altri fluidi che non siano aria, per applicazioni non industriali, o in apparecchiature medicali consultare la Norgren.

LUBRIFICADORES (SPANISH)

Contacte con su proveedor Norgren para instrucciones completas y kits.

Instalación - Cerrar la presión de aire, instalar en la línea del aire:

- verticalmente (con el depósito hacia abajo)
- el caudal de aire deberá seguir la dirección de la marca en el cuerpo
- situarlo después de filtros y reguladores
- antes de las válvulas de ciclo
- lo más cerca posible del mecanismo que se está lubricando
- modelos oil-fog - no más de 5,2 metros del mecanismo que se está lubricando, y a la misma altura o más que el mecanismo
- asegurarse de que el depósito y el protector del depósito (en caso de haberlo) están totalmente girados en la dirección de las agujas del reloj dentro del cuerpo antes de presurizar

Mantenimiento - Llenar el depósito con un aceite ligero en forma de niebla adecuado para aparatos de aire comprimido

Regulación - Girar la rueda ranurada del visor de goteo para aumentar/reducir el suministro de aire. Controlar el mecanismo que se está lubricando y ajustar la regulación en caso necesario.

Advertencia

Estos productos se han diseñado para su uso exclusivamente en sistemas industriales de aire comprimido. No usar estos productos en instalaciones en las que las presiones y temperaturas puedan superar las que figuran en la etiqueta del producto.

El depósito de plástico de policarbonato utilizado en estos lubricadores puede resultar dañado y posiblemente explotar si es expuesto a sustancias tales como disolventes, productos alcalinos fuertes, aceites de compresor con aditivos formulados con ésteres o aceites sintéticos. Los humos de estas sustancias en contacto con el depósito de policarbonato, ya sea a nivel interno o externo, podrían ser asimismo perjudiciales. Limpiar sólo con agua caliente. Usar un depósito metálico en aplicaciones en las que el depósito de plástico pueda ser expuesto a sustancias incompatibles con el policarbonato.

En aplicaciones de lubricación, podrían producirse fugas de niebla de aceite a la atmósfera circundante. Los usuarios deben atender a las normas de seguridad y salud para limitar la contaminación de la niebla de aceite y utilizar equipos de protección.

Consultar con Norgren antes de utilizar estos productos con fluidos que no sean el aire, en aplicaciones no industriales o en sistemas de seguridad.

油霧器

需維修配件和全部使用说明, 请与 诺冠 供应商联系。

安装:

先关闭气路, 然後安装本产品于气路:

- 置机体于垂直位置, 油杯在下部。
- 气体流向与机体上的箭头指向一致。
- 置于减压阀和过滤器之後。
- 置于循环阀之前。
- 尽量接近所服务的设备。
- 油雾式油雾器的高度应不低于所服务的设备, 距离不超出15英尺 (5.2m)。
- 接通气压之前, 确保油杯和护罩已完全顺时针旋入机体。

维护 - 将轻质, 易雾化, 适用于气动工具用的机油注入油杯。

调节 - 转动供油视窗上的旋钮以增加或减少供油量, 检查被润滑的设备的润滑工況, 对供油量做相应的调整。

警告

本产品仅限用于工业压缩空气系统, 请勿在超出产品标牌所示的压力和温度范围之外使用。

透明聚脂油杯接触到某些溶剂, 强碱, 含酯添加物的压缩机油以及合成机油时, 可能会受损甚至爆裂。当聚脂油杯从内部或外部接触上述物质的气体时, 也会损坏。请只用温水清洗油杯。

当有与聚脂油杯不相容的物质存在时, 请使用金属油杯。

在应用本产品时, 可能会有油雾从设备中溢出, 飘散在周围环境。请参考有关安全卫生标准, 使用防护设备。

欲将本产品用于空气以外的流体, 非工业用途或医疗设备, 请先与诺冠接洽。



L01, L07, L08, L11, L15, L17, L64, L68, L72, L73, L74

UI-300
9/00 (Supersedes 11/97)

ÖLER (GERMAN)

Verschlussteilsätze und ausführliche Hinweise erhalten Sie von Norgren.

Einbau

- Luftzufuhr abstellen.
- In vertikaler Lage (Ölbehälter nach unten) einbauen.
- Flußrichtungspfeile am Gehäuse beachten.
- Nach Filtern, Filterreglern und Reglern installieren. Vor Wege-Ventilen einbauen.
- Öler so nah wie möglich bei den zu versorgenden Geräten einbauen.
- Die Leitung zwischen Normalnebel-Öler und zu versorgenden Gerät darf nicht mehr als 5,2 Meter betragen.
- Vor Inbetriebnahme Behälter und Schutzkorb bis zum Anschlag bzw. Dichtsitz einschrauben.

Wartung

Ölbehälter mit leicht vernebbelbaren und für pneumatische Geräte geeignete Öle auffüllen.

Einstellung

Der Ölzusatz wird mit dem Betätigungselement (Knopf, Schlitzschraube, etc.) über dem Schaudom eingestellt. Drehung nach rechts reduziert die Tropfenrate, drehen nach links erhöht sie. Die Ölung des zu versorgenden Gerätes überprüfen und falls notwendig, die Einstellung verändern.

Sicherheitshinweise

Die Produkte sind nur für den Einsatz in industriellen Druckluftsystemen geeignet. Die Wartungsgeräte nicht außerhalb der angegebenen Betriebsbedingungen (siehe „Technische Merkmale“), z.B. Druck und Temperatur einsetzen. Kunststoffbehälter können beschädigt werden oder platzen, wenn sie mit den folgenden Substanzen in Berührung kommen:

- Lösungsmittel
- Starke Laugen
- Kompressoröle mit Zusatzstoffen auf Esterbasis
- Synthetische Öle
- Dämpfe der vorher genannten Substanzen
- Alle anderen polycarbonatunverträglichen Substanzen

Behälter dürfen nur mit warmen Wasser gereinigt werden. Metallbehälter einsetzen, falls Kunststoffbehälter für den gegebenen Anwendungsfall nicht geeignet sind. Die mit geölter Druckluft betriebenen Pneumatik-Geräte geben teilweise Ölnebel an die Umgebung ab. Die Anwender sind verpflichtet, die entsprechenden Sicherheits- und Gesundheitsvorschriften zu beachten und die erforderlichen Schutzmaßnahmen zu treffen. Anwendungen mit anderen Fluiden als Druckluft oder in medizinischen Geräten sind nur in Absprache mit Norgren erlaubt.

SMÖRERE (NORWEGIAN)

Kontakt din Norgren leverandør for fullstendig informasjon.

Installasjon - Steng av trykklufta, installer etter følgende anvisning:

- vertikalt med beholder ned.
- med strømningsretningen i enhetens pileretning
- etter filtre og regulatorer
- tør og så nært forbruket som mulig.
- -Øli Fog- modeller ikke lengre enn 5 meter fra smørestedet og på samme nivå eller høyere enn den aktuelle enhet.
- kontroller at beholder er skrudd helt fast for trykk settes på.

Service.

Fyll beholder med olje som er beregnet for Pneumatiske applikasjoner.

Justering.

Vri justeringsratt på dråpeglass for å øke eller redusere oljedosering. Kontroller etter en stund om smøremen er riktig innstilt.

ADVARSEL.

Disse produkter er kun beregnet til bruk i industrielle trykkluftsystemer. Produktene må ikke benyttes i tilfeller hvor trykk og temperatur kan overstige de verdier som er angitt i produktbeskrivelsen.

Beholdere i polykarbonat kan bli ødelagt og muligens sprekke dersom de utsettes for løsningsmidler, sterke alkalier, kompressoroljer som inneholder esterbaserte tilsetningsstoffer eller syntetiske oljer.

Selv gasser fra disse stoffene, utvendig eller innvendig, kan resultere i skader. Beholderne må kun rengjøres med varmt vann. Benytt metallbeholder i applikasjoner hvor plastbeholder kan bli utsatt for stoff som er uforenelig med polykarbonat.

Oljetåken vil følge med gjennom systemets avluftningsporter til omgivelsene. Brukere henvises til H.M.S. forskrift for gjelder for oljeforurensning og bruk av sikkerhetsutstyr. Det finnes hydtempere som samler opp oljerester.

Ved benyttelse av andre medier enn trykkluft, for ikke industrielle applikasjoner eller i medisinsk sammenheng, ta kontakt med din Norgren leverandør.

SMEERTOESTELLEN (DUTCH)

Neem contact op met uw Norgren leverancier voor volledige instructies.

Installatie: Schakel de perslucht-toevoer uit en monteer in luchtleiding;

- verticaal met het reservoir naar beneden,
- met luchtstroom in de richting van pijp op het huis,
- benedentrooms van filters en reductieventielen,
- bovenstrooms van ventielen
- zo dicht mogelijk bij de te smeren apparatuur, olie-niveau-uitvoeringen niet verder dan 5,2 meter en op dezelfde hoogte of hoger dan het te smeren apparaat,
- alvorens onder druk te zetten, verzekert u ervan dat het reservoir en de eventuele beschermkap volledig vastgedraaid zijn met de wijzers met de klok mee.

Onderhoud: Vul het reservoir met een lichte smeeroilie, geschikt voor perslucht-gereedschap.

Afstelling: Stel olie-verbruik in met knop op doorzichtige oliedrupelaar, controleer effect bij te smeren apparatuur en verander zonodig afstelling.

Veiligheid

Deze producten zijn bestemd voor toepassing in industriële persluchtssystemen. Gebruik deze producten niet in situaties waarin druk en/of temperatuur hoger zijn dan aangegeven op het typeplaatje. Reservoirs van polycarbonaat kunnen aangetast worden door bepaalde oplosmiddelen, sterke alkaloiden, compressor-olie met ester-additieven of synthetische olie, ook in de dampvorm aan de binnen- of de buitenkant van het reservoir. Schoonmaken uitsluitend met warm water.

Pas metalen reservoirs toe waar de kans bestaat dat polycarbonaat-aantastende stoffen voorkomen.

Toepassing van smering van perslucht kan betekenen dat de smeeroilie in de vrije atmosfeer terecht komt. Dit dient volgens de geldende regelgeving beperkt te worden.

Wij verzoeken u contact met ons op te nemen indien u dit smeertoestel wilt gaan gebruiken met andere media dan perslucht of in niet-industriële toepassingen.

SMÖRJAPPARATER (SWEDISH)

Kontakta Er Norgren-leverantör för kompletta instruktioner och servicesatsar.

Installation - Stäng av trycklufta och installera enligt följande:

- vertikalt med behållaren nedåt
- med luftflöde i pilens riktning
- efter filter och tryckregulatorer
- före riktningssystem
- så nära smörjstället som möjligt
- Oil-fog modeller - Inte på längre avstånd än 5 m från smörjstället, samt på samma nivå eller högre.
- kontrollera att behållaren är rätt monterad innan tryckluft släpps på

Service - Fyll smörjapparaten med lämplig dimsmörjarolja avsedd för smörjning av pneumatiske verktyg.

Justering - Vrid justerskruven på synkypolen för att öka/minska dropphastigheten. Ställ in föreskriven oljemängd samt kontrollera efter ett tag att mängden är rätt.

Varning

Disse produkter är avsedda enbart för industriella tryckluftsystem. Använd inte enheterna där tryck och temperatur kan överskrida angivna värden.

Behållare i polykarbonat kan skadas och ibland sprängas om de utsätts för substanser som lösningsmedel, starka alkalier, kompressoroljer med esterbaserade additiver eller syntetiska oljor. Även utdunstningar från dessa substanser, internt eller externt, kan försäkra skada. Behållarna får endast rengöras i varmt vatten.

Använd metallbehållare i miljöer där en plastbehållare kan exponeras av substanser som inte är kompatibla med polykarbonat.

Oljan i en smörjare följer med tryckluft ut i atmosfären från verktygs utloppsport. Användare ansvarar för att gällande gränsvärden ej överskrids. Oljeavskiljande ljuddämpare finns att tillgå.

Innan användning till andra media än industriell tryckluft, icke industriella applikationer eller livsuppehållande system, kontakta Er Norgren-leverantör.

LUBRIFICATEURS (FRENCH)

Contacter votre agent Norgren le plus proche pour de plus amples renseignements.

Installation : Couper la pression et installer le lubrificateur.

- Verticalement (cuve en bas).
- Dans le sens du débit d'air marqué sur le corps.
- En aval du filtre et du régulateur.
- En amont des distributeurs.
- Au plus près des éléments à lubrifier
- Modèle Brouillard d'huile - Distance inférieure à 5,2 m entre le lubrificateur et l'utilisation, ceci sur le même niveau.
- S'assurer que la cuve et sa protection éventuelle soient bien verrouillées avant la mise sous pression.

Entretien : Couper la pression et remplir régulièrement la cuve avec de l'huile compatible avec les éléments pneumatiques.

Réglage : Tourner le bouton de réglage sur la partie supérieure de l'appareil afin d'augmenter ou de diminuer le débit d'huile nécessaire. Vérifier que le débit est correct et réajuster si nécessaire

Attention : Ce produit a été conçu pour une utilisation avec de l'air comprimé industriel. Ne pas utiliser ce produit à une pression ou température supérieure à celle indiquée sur l'étiquette, ceci pouvant causer des ruptures ou un mauvais fonctionnement. La pression, le débit d'air et d'huile doivent satisfaire aux besoins de l'installation. Les cuves transparentes en polycarbonate peuvent être endommagées et éventuellement exploser si elles sont exposées à des agents tels que solvants alcalins forts ou des huiles de compresseur contenant soit des additifs à base d'éther soit des huiles synthétiques.

Utiliser des cuves métalliques pour une application dans des ambiances incompatibles avec le polycarbonate. Dans les applications de lubrification, une partie du brouillard d'huile généré par le lubrificateur peut retourner à l'atmosphère en différents points de l'installation, consulter les règles d'hygiène et de sécurité concernant les limites acceptables de pollution ainsi que les besoins en matériel de protection.

SMØREAPPARAT (DANISH)

Kontakt deres Norgren leverandør for yderligere teknisk information og reservedele.

Montering - Luften afspærres og smøreapparatet monteres på følgende måde:

- Vertikalt (beholder nedad).
- Med luftgennemstrømning i samme retning som pilen på huset.
- Efter filtre og regulatorer.
- Før andre pneumatik komponenter.
- Så tæt som muligt på den enhed der skal smøres.
- Olie tåge modeller. I samme højde eller højere end den enhed der skal smøres og ikke længere væk end 5 meter
- Kontroller om beholder og beholderkappe (hvis en sådan er monteret) er skruet helt i bund (mod uret når beholder er nedad og smøreapparatet ses ovenfra) for smøreapparatet sættes under tryk.

Vedligehold

Fyld beholderen med en let, forstøvede olietøge passende til brug for trykluft værktøj.

Justering

Drej justeringskruen i domeglasset for at øge eller reducere oliemængden. Lagttag det smurte komponent og justér igen om nødvendigt.

Advarsel

Disse enheder er kun til brug i industrielle tryckluftsystemer. Anvend ikke enhederne hvor tryk og temperatur overstiger de angivne værdier.

Beholdere af polykarbonat skades eller eventuelt sprænges hvis de udsættes for opløsningsmidler, stærke alkaliske væsker, kompressorolie med hydrogen baserede additiver eller syntetiske oljer. Dampene fra disse væsker kan ligeledes ødelægge beholderen. Brug kun varmt vand til rensning.

Anvend metalbeholder i miljøer hvor transparent beholder kan udsættes for substanser, der er aggressive overfor polykarbonat.

Det kan forekomme at der undslipper olietåge fra smurte systemer til den omgivende atmosfære. Brugere henvises til regler og retningslinier for sikkerhed og sundhed i begrænsning af olietåge forurening samt brug af sikkerhedsudstyr.

Kontakt venligst Norgren for anvendelse af smøreapparat til andre gasser end luft, i ikke industrielle sammenhænge eller til friskluft systemer.



APPENDIX IV

General Purpose and Oil Removal Filter/Regulators



NORGREN

B01, B07, B08, B11, B15, B39, B64, B68, B72, B73, B74

UI-400

9/00 (Supersedes 11/97)

GENERAL PURPOSE AND OIL REMOVAL FILTER/REGULATORS (ENGLISH)

Contact your Norgren supplier for complete instructions and kits.

Installation - Shut off air pressure. Install in air line:

- vertically (bowl down),
- with air flow in direction of arrow on body,
- upstream of lubricators and cycling valves,
- as close as possible to the device being serviced.
- Make sure bowl and bowl guard if so equipped are turned fully clockwise into body before pressurizing.

Servicing

1. Keep accumulated liquids below baffle on general purpose units and below element on oil removal units.

2. Replace filter element when dirty.

Adjustment - Turn adjustment clockwise to increase and counterclockwise to decrease outlet pressure setting. To reduce pressure, first reduce to a pressure less than that desired, then increase to the desired outlet pressure.

Warning

These products are intended for use in industrial compressed air systems only. Do not use these products where pressures and temperatures can exceed those listed on the product label.

Polycarbonate plastic bowls can be damaged and possibly burst if exposed to such substances as certain solvents, strong alkalies, compressor oils containing ester-based additives or synthetic oils. Fumes of these substances in contact with the polycarbonate bowl, externally or internally, can also result in damage. Clean with warm water only.

Use metal bowl in applications where a plastic bowl might be exposed to substances that are incompatible with polycarbonate.

If outlet pressure in excess of the filter/regulator pressure setting could cause downstream equipment to rupture or malfunction, install a pressure relief device downstream of the filter/regulator. The relief pressure and flow capacity of the relief device must satisfy system requirements.

Before using with fluids other than air, for nonindustrial applications, or for life support systems, consult Norgren.

Water vapor will pass through these units and will condense into liquid if air temperature drops in the downstream system. Install an air dryer if water condensation could have a detrimental effect on the application.

FILTRI-REGOLATORI PER IMPIEGHI GENERALI E RIMOZIONE OLIO (ITALIAN)

Contattare il Vostro fornitore Norgren per istruzioni complete e ricambi.

Installazione- Togliere la pressione dell'aria. Posizione sulla linea:

- Verticale (tazza in basso),
- Con il flusso aria in direzione della freccia riportata sul corpo,
- A monte dei lubrificatori e delle valvole di controllo,
- Il più vicino possibile all'apparecchio che deve essere alimentato,
- Accertarsi che la tazza e relativa protezione, se fornite, vengano montate al corpo avvitandole completamente in senso orario, prima di dare pressione.

Mantenimento

1. Mantenere i liquidi accumulati al di sotto dello schermo sui filtri per impieghi generici e sotto l'elemento sulle unità per rimozione olio.

2. Sostituire l'elemento filtrante quando sporco.

Regolazione - Girare il dispositivo di regolazione in senso orario per aumentare e in senso antiorario per diminuire la pressione d'entrata. Per ridurre la pressione, prima di tutto portarla al di sotto del valore desiderato, poi aumentarla fino al valore richiesto.

Avvertenza

Questi prodotti sono adatti esclusivamente all'impiego su sistemi industriali ad aria compressa. Non impiegare in presenza di pressioni e temperature superiori a quelle riportate sulla targhetta.

Le tazze in policarbonato possono venire danneggiate od esplodere se esposte ad alcune sostanze come solventi, alcali concentrati, oppure oli per compressore contenenti additivi od oli sintetici. I fumi di queste sostanze a contatto con la tazza in policarbonato, esternamente o internamente, possono risultare altrettanto dannosi. Pulire esclusivamente con acqua tiepida.

Adottare la tazza metallica in applicazioni nelle quali la tazza in plastica potrebbe essere esposta a sostanze incompatibili con il policarbonato.

Se un aumento della pressione in uscita rispetto al valore di taratura dovesse causare rotture o malfunzionamento nell'impianto a valle, installare una valvola limitatrice di pressione a valle del regolatore. La pressione e la capacità di scarico della valvola limitatrice devono soddisfare i requisiti di sicurezza del sistema.

Prima dell'impiego con altri fluidi che non siano aria, per applicazioni non industriali, o in apparecchiature medicali consultare la Norgren.

Se dovesse verificarsi un abbassamento di temperatura nel sistema a valle, il vapore acqueo passato attraverso queste unità si condenserebbe in liquido. Installare un essiccatore se la presenza di acqua dovesse avere effetti negativi sull'applicazione.

FILTROS/REGULADORES REMOVEDORES DE ÓLEO E PARA APLICAÇÕES GERAIS (PORTUGUESE)

Consulte seu fornecedor Norgren para instruções completas e kits de reparo.

Instalação - Desligue a pressão de ar. Instale na linha de ar:

- Verticalmente (copo para baixo),
- Com o fluxo de ar na direção da seta no corpo,
- Antes dos lubrificadores e válvulas de controle direcional,
- Tão próximo quanto possível do dispositivo que está sendo atendido,
- Certifique-se que o reservatório e o protetor do reservatório, se equipados, girem completamente no sentido horário dentro do corpo, antes de pressurizar.

Manutenção

1. Mantenha os líquidos acumulados abaixo do defletor nas unidades de aplicações gerais e abaixo do elemento filtrante nas unidades de remoção de óleo.

2. Substitua o elemento filtrante quando sujo.

Regulação - Gire ajustando para aumentar/diminuir a a pressão primária estabelecida. Para reduzir a pressão, primeiro reduza-a para um valor menor do que desejado e posteriormente aumente até a pressão final.

Advertências

Estes produtos devem ser usados somente em sistemas de ar comprimido industrial. Não os use onde pressões e temperaturas excederem aqueles listados nas etiquetas dos produtos.

O copo de policarbonato pode ser danificado e possivelmente rompido se exposto a substâncias tais como certos solventes, substâncias alcalinas, óleos de compressor contendo aditivos com base em ésteres ou óleos sintéticos. Vapores destas substâncias em contato com o copo de policarbonato, externamente ou internamente, podem danificá-lo. Limpe somente com água morna.

Use copo de metal em aplicações onde o copo transparente possa ser exposto a produtos incompatíveis com o policarbonato.

Se a pressão de saída for superior à estabelecida podendo causar danos ao equipamento, instale um dispositivo de alívio de pressão após o regulador, que atenda aos requisitos do sistema.

Antes de usar outros fluidos para aplicações não industriais ou para sistemas de suporte a saúde, consulte a Norgren.

Vapor de água poderá passar através dessas unidades e condensar posteriormente quando a temperatura do ar cair. Instale um secador de ar se a condensação de água prejudicar a aplicação.

FILTRO/REGULADORES DE USO GENERAL Y DE ELIMINACION DE ACEITE (SPANISH)

Contacte con su proveedor Norgren para instrucciones completas y kits.

Instalación - Cerrar la presión de aire, instalar en la línea del aire:

- verticalmente (con el depósito hacia abajo)
- el caudal de aire deberá seguir la dirección de la marca en el cuerpo
- situarlo antes de lubricadores y válvulas de ciclo
- lo más cerca posible del aparato al que está conectado
- asegurarse de que el depósito y el protector del depósito (en caso de haberlo) están totalmente girados en la dirección de las agujas del reloj dentro del cuerpo antes de presurizar

Mantenimiento

1. Mantener los líquidos acumulados por debajo del deflector en unidades de uso general, y por debajo del elemento filtrante en unidades de eliminación de aceite

2. Substituir el elemento filtrante cuando esté sucio.

Regulación - Girar el pomo de regulación en el sentido de las agujas del reloj para aumentar el nivel de presión de salida y en sentido contrario para reducirlo. Para disminuir la presión, reducir en primer lugar a un nivel inferior al requerido; después aumentar hasta la presión de salida deseada.

Advertencia

Estos productos se han diseñado para su uso exclusivamente en sistemas industriales de aire comprimido. No usar estos productos en instalaciones en las que las presiones y temperaturas puedan superar las que figuran en la etiqueta del producto.

El depósito de plástico de policarbonato puede resultar dañado y posiblemente explotar si es expuesto a sustancias tales como disolventes, productos alcalinos fuertes, aceites de compresor con aditivos formulados con ésteres o aceites sintéticos. Los humos de estas sustancias en contacto con el depósito de policarbonato, ya sea a nivel interno o externo, podrían ser asimismo perjudiciales. Limpiar sólo con agua caliente.

Usar un depósito metálico en aplicaciones en las que el depósito de plástico pueda ser expuesto a sustancias incompatibles con el policarbonato.

Si la presión de salida es superior al nivel de presión del regulador, podrían producirse roturas o fallos en los equipos situados después del mismo. En este caso, instalar un aparato con escape de presión después del filtro/regulador. La capacidad en cuanto a presión de escape y caudal del mecanismo de descarga deberá satisfacer las necesidades del sistema.

Consultar con Norgren antes de utilizar estos productos con otros fluidos que no sean el aire, en aplicaciones no industriales o en sistemas de seguridad.

Por estas unidades circulan vapores de agua que se podrían condensar en forma líquida en la parte inferior a medida que desciende la temperatura del aire. Instalar un secador de aire en caso de que la condensación de agua pueda perjudicar la aplicación.

詳細及びキットに関しては供給元にお問い合わせ下さい。

取付方法:

- 空気圧力を閉じます。
- 空気配管に垂直で、ボウルを下に向けて取付けます。
- 本体の矢印に気流方向を合わせます。
- インジケータ、バルブの一次側に取付。
- 使用する機器に出来るだけ近い位置に取付けます。
- 圧力をかける前に、ボウルとボウルガードを右回りに回し、完全な締り付けを確認してください。

メンテナンス:

汎用の場合はバフルの下に、油除去の場合はエレメントの下に、液体をためます。フィルタがよこれたら取り替えてください。

調整:

圧力設定を上げるには調整ノブを時計方向に、圧力設定下げるには反時計方向に回します。高い設定値から低い設定値に変更する場合は、目的の圧力よりも低く下げた後、目的の圧力値まで上げるようにして下さい。

注意事項:

当該製品は工業用圧縮空気システムのみ使用できるように設計されています。製品ラベル記載以外の温度、圧力では使用出来ません。

ポリカーボネイト製プラスチックボウルはある種の溶剤、強アルカリ性剤、エステル性添加物を含むコンプレッサ用油、あるいは合成油に接触すると、破損又は破裂する恐れがあります。またこれらの物質から出るガスがポリカーボネイト性ボウルの内部又は外部と接触すると、破損することがあります。清拭には温湯のみ使用して下さい。

ポリカーボネイト製プラスチックに適さない物質に接触する恐れがある場合は、金属製ボウルを使用して下さい。

出力圧力がフィルタ/レギュレータの設定圧力を超え、フィルタ/レギュレータの二次側にある機器が壊れたり作動不良が生じる恐れがある場合は、フィルタ/レギュレータの二次側リリーフバルブを取付けて下さい。減圧装置の減圧および流量はシステムの設定値に合わせなければなりません。

空気以外の媒体や工業用以外の用途、又は生命維持システムに当該製品を使用する場合は、ノルグレン社までお問い合わせ下さい。

水蒸気が本機器内を通り、空気温度低下に伴い凝縮して水になることがあります。この現象が機器を濡める恐れがある場合は、エアドライヤーを取付けて下さい。

適用和精细过滤器/减压阀

需维修配件和全部使用说明, 请与诺冠供应商联系。

安装

- 先关闭气路, 然後安装本产品于气路.
- 置机体于竖直位置, 滤杯在下部.
- 气体流向与机体上的箭头指向一致.
- 置于油雾器和循环阀之前.
- 尽量接近所服务的设备.
- 接通气压之前, 确保滤杯和护罩已完全顺时针旋入机体.

维护

1. 通用过滤器杯中积液不得超过滤芯位置, 精细过滤器杯中积液不得超过滤芯下沿.
2. 及时更换变脏的滤芯.

调节 - 顺时针转动以增大压力, 逆时针转动以降低压力, 降低压力时, 先将压力降至所需压力之下, 然後调高压至所需压力.

警告

本产品仅限用于工业压缩空气系统, 请勿在超出产品标牌所示的压力和温度范围之外使用.

透明聚脂滤杯接触到某些溶剂, 强碱, 含酯添加剂的压缩机油以及合成机油时, 可能会受损害甚至爆裂. 当聚脂滤杯从内部或外部接触上述物质的气体时, 也会损坏. 请只用温水清洗滤杯.

当有与聚脂滤杯不相容的物质存在时, 请使用金属滤杯.

如果输出压力超过设定压力会导致下游的设备失灵或爆裂, 则应在本产品的下游安装安全阀, 安全阀的溢流压力和流量必须满足系统的要求.

欲将本产品用于空气以外的流体, 非工业用途或医疗设备, 请先与诺冠接洽.

水蒸汽能通过本产品, 当下游温度低于水凝结温度时, 可形成凝结水, 若凝结水对设备不利, 请使用空气干燥器.



B01, B07, B08, B11, B15, B39, B64, B68, B72, B73, B74

UI-400
9/00

FILTERREGLER (GERMAN)

Verschiebleitsätze und ausführliche Hinweise erhalten Sie von Norgren.

Einbau

- Luftzufuhr abstellen.
- In vertikaler Lage (Behälter nach unten) einbauen.
- Flußrichtungspfeile am Gehäuse beachten.
- Vor Ötern und Wege-Ventilen installieren.
- Filterregler so nah wie möglich bei den zu versorgenden Geräten einbauen.
- Vor Inbetriebnahme Behälter und Schutzkorb bis zum Anschlag bzw. Dichtsitz einschrauben.

Wartung

1. Die gesammelten Verunreinigungen müssen unterhalb von Filterelement und Trennkappe (Standard-Filler) bleiben.
2. Filterelement austauschen, falls verschmutzt:

Einstellung

Drehen im Uhrzeigersinn erhöht den Sekundärdruck. Ein neuer niedriger Sekundärdruck wird in zwei Schritten eingestellt. Zunächst unter den gewünschten Druckwert reduzieren. Dann auf den gewünschten Sekundärdruck erhöhen.

Sicherheitshinweise

Die Produkte sind nur für den Einsatz in industriellen Druckluftsystemen geeignet. Die Wartungsgeräte nicht außerhalb der angegebenen Betriebsbedingungen (siehe „Technische Merkmale“), z.B. Druck und Temperatur einsetzen. Kunststoffbehälter können beschädigt werden oder platzen, wenn sie mit den folgenden Substanzen in Berührung kommen:

- Lösungsmittel
- Starke Laugen
- Kompressoröle mit Zusatzstoffen auf Esterbasis
- Synthetische Öle
- Dämpfe der vorher genannten Substanzen
- Alle anderen polycarbonatunverträglichen Substanzen

Behälter dürfen nur mit warmen Wasser gereinigt werden. Metallbehälter einsetzen, falls Kunststoffbehälter für den gegebenen Anwendungsfall nicht geeignet sind. Falls der maximal einstellbare Sekundärdruck bei nachgeschalteten Geräten zu Fehlfunktionen oder Beschädigungen führen kann, müssen diese durch Druckbegrenzungsventile geschützt werden. Die Druckbegrenzungsventile müssen den Systemanforderungen hinsichtlich Druck und Durchfluß genügen. Anwendungen mit anderen Fluiden als Druckluft oder in medizinischen Geräten sind nur in Absprache mit Norgren erlaubt. Wasserdampf durchströmt die Geräte. Bei sekundärseitigem Temperaturabfall kann es zum Wasserausfall kommen. Falls ein Wasserausfall sich negativ auf die Anwendung auswirken könnte, muß ein Lufttrockner eingesetzt werden.

FILTERREGULATORER TIL GENERELLE FORMÅL OG OLJEAVSKILJING (NORWEGIAN)

Kontakt din Norgren leverandør for fullstendig informasjon.

Installasjon - Steng av tryckluftten, installer etter følgende anvisning:

- vertikalt med beholder ned.
- med strømningsretningen i enhetens pilretning
- for smørefor og ventiler
- så nært forbrukstedet som mulig.
- kontroller at beholder er skrudd helt fast for trykk settes på.

Service.

1. Påse at kondensatnivå ikke stiger over skilleplaten i generelle filter, eller når opp til filterelement på oljeavskilende filter.
2. Erstatt forurenset filterelement.

Justering.

Vri justeringsrattet medurs for å øke trykket og moturs for å redusere trykket. For å redusere trykket, juster først til lavere verdi enn ønsket, deretter opp til ønsket trykk.

ADVARSEL.

Disse produkter er kun beregnet til bruk i industrielle tryckluftsystemer. Produktene må ikke benyttes i tilfeller hvor tryck og temperatur kan overstige de verdier som er angitt i produktbeskrivelsen. Beholdere i polykarbonat kan bli ødelagt og muligens sprekkje dersom de utsettes for løsningsmidler, sterke alkalier, kompressoroljer som inneholder esterbaserte tilsetningsstoffer eller syntetiske oljer. Selv gasser fra disse stoffene, utvendig eller innvendig, kan resultere i skader. Beholderne må kun rengjøres med varmt vann. Benytt metallbeholder i applikasjoner hvor plastbeholder kan bli utsatt for stoff som er uforenelig med polykarbonat. Dersom systemet er følsomt for tryck over den innstilte verdi bør en avluftningsventil /sikkerhetsventil monteres på regulatorens sekundærside.

Ved benyttelse av andre medier enn tryckluft, for ikke industrielle applikasjoner eller i medisinsk sammenheng, ta kontakt med din Norgren leverandør.

Vanddamp passerer gjennom filteret og vil kondenseres hvis temperaturen faller. Installer en trycklufttarke dersom kondensat vil få en ugunstig virkning på utstyret.

FILTER-REDUCEERVEENTIELEN (DUTCH)

Neem contact op met uw Norgren leverancier voor volledige instructies.

Installatie: Schakel de perslucht-toevoer uit en monteer in l

- uchtleiding;
- verticaal met het reservoir naar beneden,
- met luchtstroom in de richting van pijl op het huis,
- bovenstrooms van smeertoestellen en schakelende ventielen,
- zo dicht mogelijk bij de bediende apparatuur,
- alvorens onder druk te zetten, verzek er ervan dat het reservoir en de eventuele beschermkap volledig vastgedraaid zijn met de wijsers met de klok mee.

Onderhoud:

1. Zorg dat het vloeistofniveau in het reservoir beneden de aangegeven grens blijft of bij de B39 beneden de onderkant van het filter-element blijft.
2. Vervang het filter bij vervuiling.

Afstelling: Draai de afstelknop met de wijsers van de klok mee voor een verhoging en tegen de wijsers van de klok in voor een verlaging van de ingestelde druk. Bij een verlaging van de ingestelde druk dient eerst naar een lagere waarde dan naar de gewenste gegaan te worden.

Veiligheid

Deze producten zijn bestemd voor toepassing in industriële persluchtssystemen. Gebruik deze producten niet in situaties waarin druk en/of temperatuur hoger zijn dan aangegeven op het typeplaatje. Reservoirs van polycarbonaat kunnen aangetast worden door bepaalde oplosmiddelen, sterke alkaliden, compressor-olie met ester-additieven of synthetische olie, ook in de dampvorm aan de binnen- of de buitenkant van het reservoir. Schoonmaken uitsluitend met warm water. Pas metalen reservoirs toe waar de kans bestaat dat polycarbonaat-aantastende stoffen voorkomen. Indien een hogere dan de ingestelde druk aan secundaire zijde schade of weigering van functioneren kan veroorzaken dient benedenstrooms van het filter-reduceerveentiel een ontlastventiel geplaatst te worden. De afblaascapaciteit van het geselecteerde ontlastventiel dient groter te zijn dan de maximaal mogelijke afblaasstroom bij de ingaande poort. Wij verzoeken u contact met ons op te nemen indien u dit filter-reduceerveentiel wilt gaan gebruiken met andere media dan perslucht, in niet-industriële toepassingen of in ademluchtssystemen. Waterdamp kan door het filter-reduceerveentiel komen en bij daling van de temperatuur benedenstrooms condenseren. Installeer een luchtdroger indien dit het functioneren van de apparatuur aidaar kan beïnvloeden.

FILTER-REGULATORER FÖR GENERELL ANVÄNDNING OCH OLJEAVSKILJNING (SWEDISH)

Kontakta Er Norgren-leverantör för kompletta instruktioner och servicesatser.

Installation - Stäng av tryckluftten och installera enligt följande:

- vertikalt med behållaren nedåt
- med luftflöde i pilens riktning
- innan smörjapparater och riktningventiler
- så nära förbrukningsstället som möjligt
- kontrollera att behållaren är rätt monterad innan tryckluft släpps på

Service

1. Se till att kondensatnivån inte överstiger skiljeplåten på generella filter, eller när upp till filterelementet på oljeavskilningsfilter.
2. Ersätt nersmuttade filterelement.

Justering

Vrid rattet/V-rvredet medurs för att öka tryckinställningen eller moturs för att minska tryckinställningen. Vid sänkning av tryck, justera till ett tryck lägre än erforderligt, höj sedan till rätt värde.

Varning

Dessa produkter är avsedda enbart för industriella tryckluftsystem. Använd inte enheterna där tryck och temperatur kan överskrida angivna värden. Behållare i polykarbonat kan skadas och ibland sprängas om de utsätts för substanser som lösningsmedel, starka alkalier, kompressoroljer med esterbaserade additiver eller syntetiska oljor. Även utdunstningar från dessa substanser, internt eller externt, kan förorsaka skada. Behållarna får endast rengöras i varmt vatten.

Använd metallbehållare i miljöer där en plastbehållare kan exponeras av substanser som inte är kompatibla med polykarbonat. Om inställt tryck kan stiga över inställt värde i system med känslig utrustning bör en avluftningsventil installeras efter filter-regulator. Avluftningsventilens tryckområde och kapacitet måste överensstämma med systemkraven.

Innan användning till andra media än industriell tryckluft, icke industriella applikationer eller livsuppehållande system, kontakta Er Norgren-leverantör.

Vatten i ångform passerar igenom dessa filter-regulatorer och kondenseras till vätska om lufttemperaturen sänks i systemet efter filter-regulator. Installera lämplig torkutrustning om kondensat kan ha skadlig inverkan på applikationen.

FILTRE-REGULATEURS (FRENCH)

Contacter votre agent Norgren le plus proche pour de plus amples renseignements.

Installation : Couper la pression d'air et installer le filtre-régulateur.

- Verticalement (cuve en bas).
- Dans le sens du débit d'air marqué sur le corps.
- En amont du lubrificateur et des distributeurs.
- Au plus près des éléments à alimenter.
- S'assurer que la cuve et sa protection éventuelle soient bien verrouillées avant la mise sous pression.

Entretien:

1. Périodiquement, vérifier le niveau des condensats et purger si nécessaire.
2. Remplacer l'élément filtrant lorsque celui-ci est colmaté.

Réglage: Tourner le bouton de réglage dans le sens horaire pour augmenter la pression et dans le sens contraire pour la diminuer. Pour réduire la pression, diminuer celle-ci au-dessous de la valeur de consigne et augmenter jusqu'à la pression désirée.

Attention : Ce produit a été conçu pour une utilisation avec de l'air comprimé industriel. Ne pas utiliser ce produit à une pression ou température supérieure à celle indiquée sur l'étiquette, ceci pouvant causer des ruptures ou un mauvais fonctionnement. La pression et le débit doivent satisfaire aux besoins de l'installation.

Les cuves transparentes en polycarbonate peuvent être endommagées et éventuellement exposer si elles sont exposées à des agents tels que solvants alcalins forts ou des huiles de compresseur contenant soit des additifs à base d'éther soit des huiles synthétiques.

Utiliser des cuves métalliques pour une application dans des ambiances incompatibles avec le polycarbonate. De la vapeur d'eau peut passer à travers le filtre et se condenser dans le circuit aval avec la chute de température. L'installation d'un assécheur d'air est nécessaire si cette condensation est trop importante.

Si un excès de pression en provenance du régulateur peut endommager ou gêner le fonctionnement des appareils situés en aval de celui-ci, installer une soupape de décharge entre le régulateur et ces appareils. Le seuil de déclenchement ainsi que les caractéristiques de débit de la soupape doivent être choisis pour satisfaire aux exigences des appareils à protéger.

FILTERREGULATOR (DANISH)

Kontakt deres Norgren leverandør for yderligere teknisk information og reservedele.

Montering - Luftten afspærres og filterregulatoren monteres på følgende måde:

- Vertikalt (beholder nedad).
- Med luftgenstrømning i samme retning som pilen på huset
- Før smøreapparat og andre pneumatik komponenter.
- Så tæt som muligt på den enhed der skal betjenes
- Kontroller om beholder og beholderkappe (hvis en sådan er monteret) er skruet helt i bund (mod uret når beholder er nedad og filterregulatoren ses ovenfra) før filterregulatoren sættes under tryk.

Vedligehold

1. Kontroller jævnligt beholder og fjern kondensat hvis det forefindes.
2. Udskift filterelement når det er tilsmudset eller når service indikator (hvis en sådan er monteret) viser halvt rød/grønt.

Justering

Drej justeringsgreb med uret for at øge og mod uret for at mindske sekundærtrykket. Ved justering til lavere sekundærtryk, juster da ned til et lavere tryk end ønsket og deretter op til det ønskede.

Advarsel

Disse enheder er kun til brug i industrielle tryckluftsystemer. Anvend ikke enhederne hvor tryck og temperatur overstiger de angivne værdier. Beholdere af polykarbonat skades eller eventuelt sprænges hvis de udsættes for opløsningsmidler, stærke alkaliske væsker, kompressor olie med hydrogen baserede additiver eller syntetiske oljer. Dampene fra disse væsker kan ligeledes ødelægge beholderen. Brug kun varmt vand til rensning.

Anvend metalbeholder i miljøer hvor transparent beholder kan udsættes for substanser, der er aggressive overfor polykarbonat. Hvis sekundærtrykket kan overstige regulatorens fastsatte indstilling og dermed give funktionsfejl eller ødelægge udstyr, skal en overtryckventil monteres efter regulatoren. Gennemstrømnings- og tryckkapacitet for overtryckventil skal svare til systemkravene.

Kontakt venligst Norgren for anvendelse af filterregulator til andre gasser end luft, i ikke industrielle sammenhænge eller til friskluft systemer.

Der kan passere vanddamp gennem enhederne som vil kondensere hvis lufttemperaturen falder på primærside. Installer en lufttørrer hvis kondensation kan have en skadelig effekt i systemet.