

**15F2916**

# 737 / 100-900 Towbar

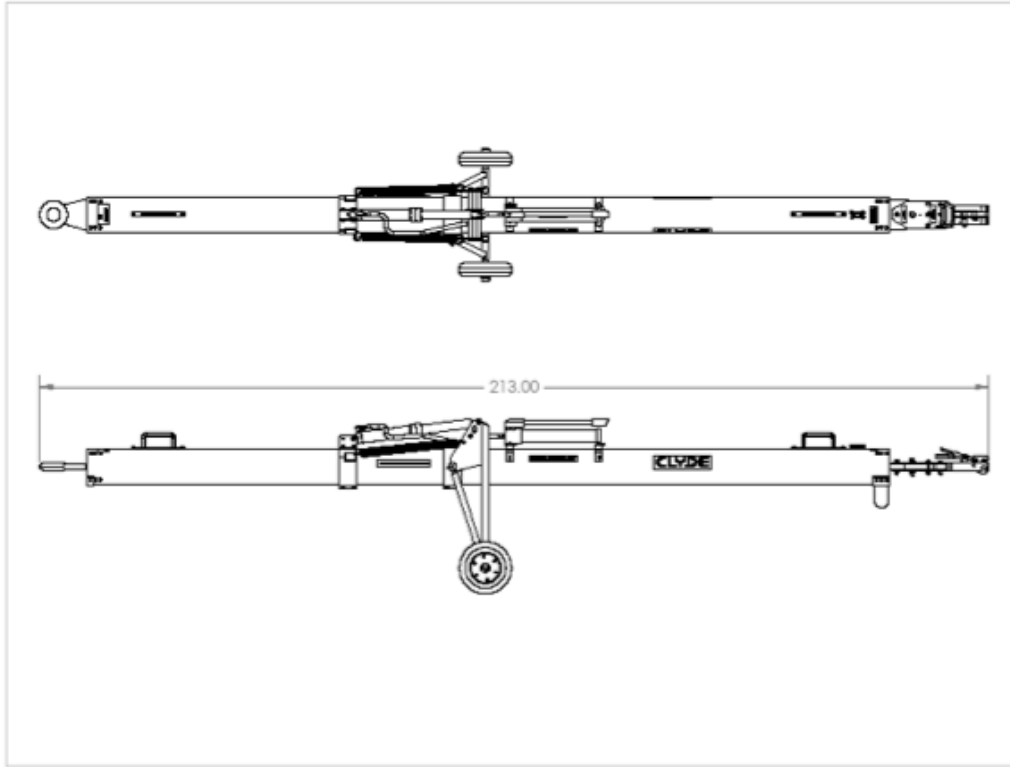


## Building Quality Ground Support Products Since 1961

- 8" x 15' high strength aluminum tube
- Safety lock system to avoid separation from aircraft
- Fully retractable hydraulic running gear for adjustable height
- Durable powder coated paint
- Quality shear bolts for aircraft protection
- Extra set of shear bolts included
- Pneumatic tires
- Options:
  - Foam filled tires
  - Shock mounted lunette

**15F2916**

# 737 / 100-900 Towbar



## Shipping Information

- Shipping weight:
  - 325 lbs.
- Shipping dimensions:
  - Length - 205"
  - Width - 25"
  - Height - 25"
- Crated weight:
  - 730 lbs.
- Crated dimensions:
  - Length - 217"
  - Width - 26"
  - Height - 27"